



AEL8 Series Electric Linear Actuator

Description

The AEL8 Series linear electric actuators are a cost effective range of linear electric process actuators, with diagnostics, only suitable for the modulation of Spirax Sarco Group valves. The AEL8 Series actuators must not be used for any other purpose. Full nomenclature details can be found on page 7 of this document.

Simple to select and commission, the AEL8 series is especially suited to process point of use applications within the steam ecosystem where robustness and reliability are key requirements. The AEL8 Series is compatible with the complete Spira-trol™ 2-port and 3-port ranges.

The AEL8 Series linear electric actuators utilise a fully electronic set up and operation of the actuator with no mechanical switches or manual intervention required. The direct measurement of valve position, stroke and force guarantee optimised process control, and all actuators have internal anti-rotation for improved actuator rigidity.

Diagnostics

The AEL8 series actuator provides actuator diagnostics through 3 functions:

- Non-intrusive health check hand wheel
- Self-diagnostic LED
- Fault relay

Typical applications

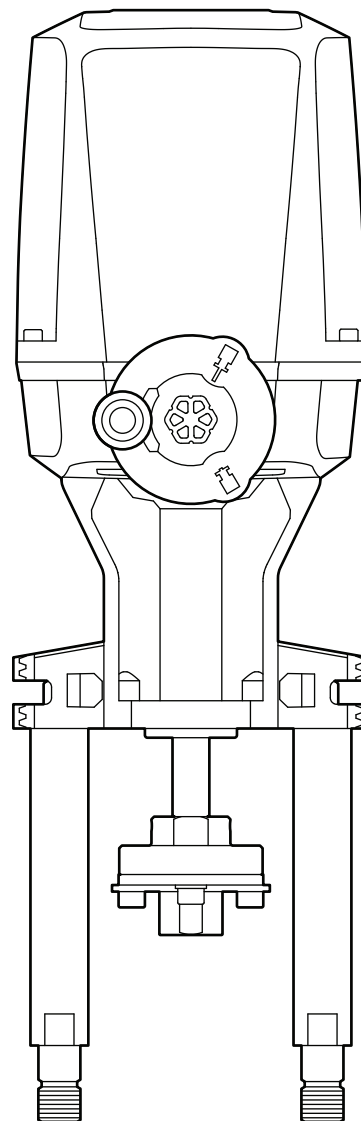
The AEL8 series actuators are used for the modulation of Spirax-Sarco group valves in closed-loop and open-loop control systems.

Typical applications for the AEL8 Series actuator include:

- Temperature control
- Pressure control
- Flow control

It is not recommended that the AEL8 series actuator is used on boiler feed water applications.

For boiler feed water applications please refer to the AEL7 (TI-P713-02)



Available types

The AEL8 electric linear actuators are simple to select with only 2 different power supply variants:

- 90...264 Vac wide range input
- 24 Vac/24 Vdc Dual voltage

The standard version is configurable for modulated input signal (4-20mA or 0(2)-10V). The actuator has a position override function. A 24V input can be used to drive the actuator to either end stop (e.g. as a result of independent high-limit)

All actuators offer 0(2) - 10 V or 4 - 20 mA position feedback. Also available are auxiliary limit switches and anti-condensation heater.

These actuators can be used with the following valves, in conjunction with an appropriate valve adaptor and mounting flange.

2 - Port	DN15 - DN100	Spira-trol™ L, K series control valves
3 - Port	DN15 - DN200	Spira-trol™ QL series control valves

Standards and approvals

This equipment is  /  marked and conforms to the following:

Electrical safety 2014/35/EU (Low Voltage Directive)	2006/42/EC (Machinery Directive)
	The Supply of Machinery (Safety) Regulations 2008
	2014/35/EU (Low Voltage Directive)
	The Electrical Equipment (Safety) Regulations 2016
Operational safety	2014/30/EU (Electromagnetic compatibility Directive)
	The Electromagnetic Compatibility Regulations 2016
	EN 61010-1:2010+A1:2019
Operational requirements	EN IEC 61010-2-202:2021
	EN ISO 12100:2010
	EN15714-2 (Electric actuators for industrial valves - Basic requirements)
Electromagnetic compatibility	Modulating actuator Class C acc. to DIN EN ISO 22153
	EN 61800-3:2004/A1:2012

Please visit the Spirax Sarco product compliance web pages for up to date information on any substances of concern that may be contained within this product. Where no additional information is provided on the Spirax Sarco product compliance web page, this product may be safely recycled and/or disposed providing due care is taken. Always check your local recycling and disposal regulations.

Visit - <https://www.spiraxsarco.com/product-compliance>

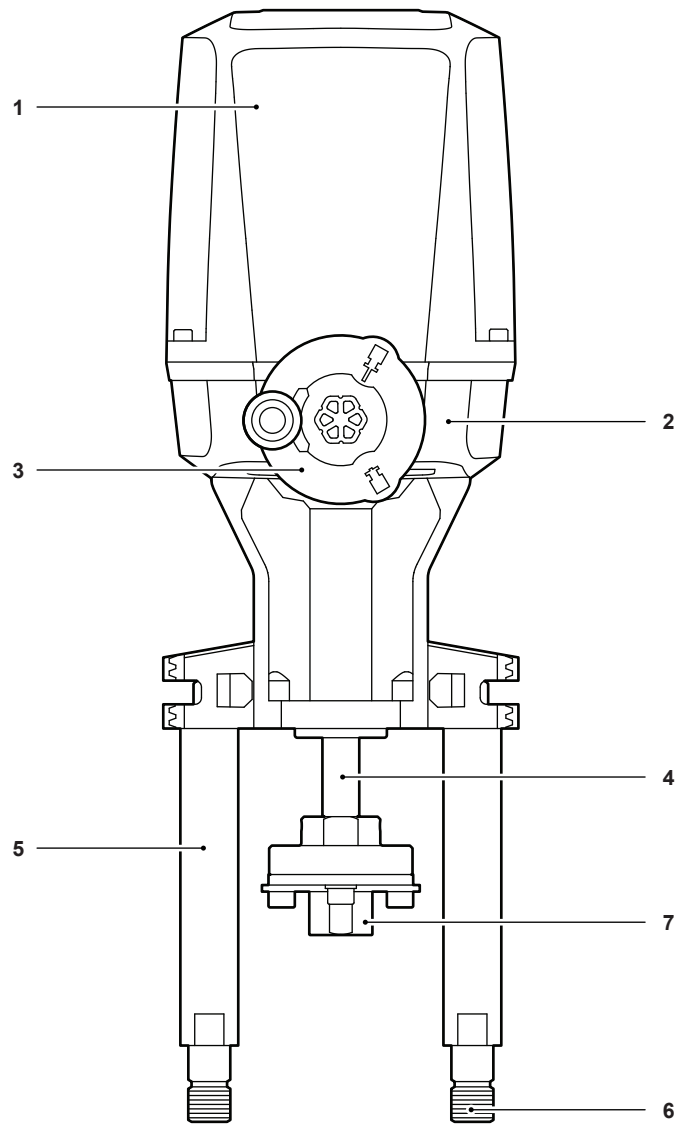
AEL8 Technical specification

Actuator model	AEL82	AEL83	AEL84	AEL85	AEL86	AEL87
Thrust (kN)	2	4.5	6	8	12	15
	Speed mm/s @ 30% load					
Medium	1.6	1.6	1.2	1.0	1.4	0.9
High	-	4.5	3.6	3.0	3.0	2.0
	Full load speed (mm/s)					
Medium	1.3	1.3	1.0	0.7	1.0	1.0
High	-	3.6	2.8	2.0	2.6	2.1
Maximum Stroke mm	60			80		

AEL8 Technical specification (continued)

Actuator model	AEL82	AEL83	AEL84	AEL85	AEL86	AEL87
	90...264 Vac, 47...63 Hz or 24 Vac/dc					
Mains Voltage/frequency	Permissible fluctuation of mains voltage –10 %/+10 % Permissible fluctuation of mains frequency \pm 5 % (further voltages on request) 24 Vdc and Shutdown module: permissible fluctuation of mains voltage –6 %/+10 %					
Operating mode according to IEC 34-1	S2 – 15 min, S4 – 30 % ED 1200 c/h, S1 – 100 %					
Motor Protection	Electronic shutdown in case of over temperature					
Electrical connection Cross section	Power supply: Spring terminal max 2.5 mm ² (12 AWG), Signal: Spring terminal max. 2.5 mm ² (12 AWG)					
End position switch-off	Electronically selectable torque or travel for both directions					
Control input	Analog: 0/2 – 10 V: input impedance >100 kOhm, 0/4 – 20 mA: input impedance 50 Ohm Control inputs 24 Vdc: galvanically isolated Ri = 3300 Ohm (I < 10 mA) OPEN, CLOSE					
Position feedback	Analog 0 – 10 V, 0/4 – 20 mA, load max. 500 Ohm Position measurement via non-contact displacement sensor					
Message signals	Collective fault 24 Vdc, I max. 50 mA, galvanically isolated Option: I/O module with 4x 24 Vdc, I max 50 mA, galvanically isolated from mains supply, OPEN, CLOSE, intermediate positions, UNI-OUT (collective fault)					
Configuration	Setting via remote input Initialization/Reset zero point Setting via DIP switch Input signal/Output signal Rising signal/Falling signal Operating mode Programming keys Speed, thrust Shutdown mode, operating parameters					
Positioning accuracy	< 0,5 % of total stroke					
Mounting position	Any orientation except vertically below the pipe					
Installation height	\leq 2000 m above sea level					
Lubricant	Gear grease: Klüber Microlube GL261					
Humidity	Up to 95 % relative humidity (Anti-condensation heater required)					
Lifetime	Spirax-Sarco linear actuators meet or exceed the lifetime requirements of EN 15714-2 (C).					
Ambient Temp.	–20 °C to +60 °C (Limited to +50 °C with the shutdown module)					
Media Temp.	–20 °C ... +300 °C					
Enclosure rating	IP 65					
Enclosure Matl.	Thermoplastic					
Manual override	Hand Wheel					
Conduit entries	3 x blanking plugs (M20x1.5)					
Thread Adaptor	M8			M12		
	AEL8 Actuator options					
I/O Module	4 x 24V-230Vac/dc outout relays @ 0.5A Max.					
Heater	90-264Vac/24Vac/dc					
Shutdown Module	Super capacitor (Factory fit only)					

Materials



No.	Part	Materials	Surface Finish
1	Cover	Polycarbonate	None
2	Housing	AlSi7Mg0.3 (LM25), seawater resistant	Anodised
3	Hand wheel ¹	Aluminium	None
		Polycarbonate	None
4	Actuator spindle	Carbon steel	None
5	Actuator pillar	Carbon steel	Galvanic zinc plated
6	Pillar nut	Carbon steel	Galvanic zinc plated
7	Thread adaptor	Carbon steel	None

¹ Clear polycarbonate for Health check LED.

AEL8 valve adapter and mounting flange selection - Spira-trol™ K & L

Actuator	Thrust	DN15-50			DN65-100		
		Flange	Thread	Adapter	Flange	Thread	Adaptor
AEL82	2.0 kN	EL5970	M8	AEL8 x M8 ¹	EL5971	M12	Integral
AEL83	4.5 kN						
AEL84	6.0 kN						
AEL85	8.0 kN						
AEL86	12.0 kN						
AEL87	15.0 kN						

¹ Included in the standard scope of supply AEL82 to AEL85

AEL8 valve adapter and mounting flange selection - Spira-trol™ QL

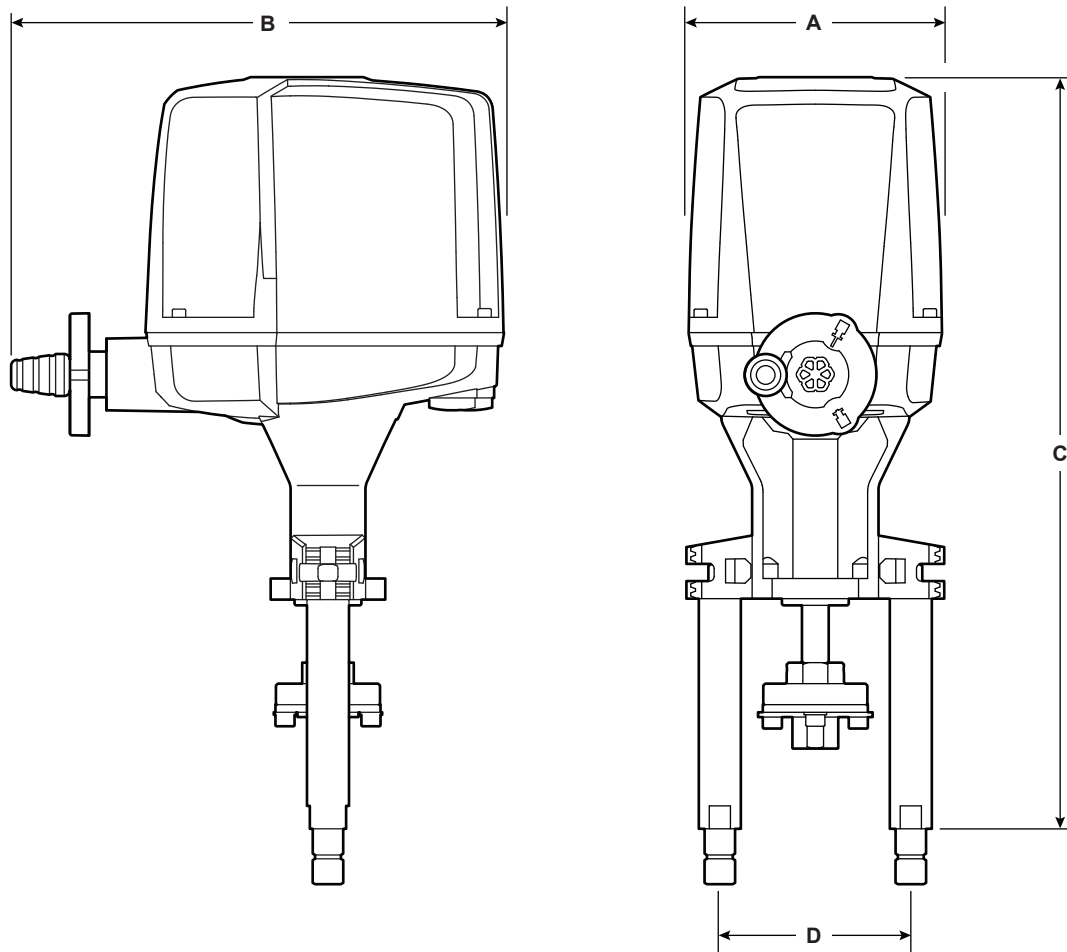
Actuator	Thrust	DN15-50			DN65-100			DN125-200		
		Flange	Thread	Adapter	Flange	Thread	Adaptor	Flange	Thread	Adaptor
AEL82	2.0 kN	EL5970	M8	AEL8 x M8 ¹	EL5971	M12	Integral			
AEL83	4.5 kN									
AEL84	6.0 kN									
AEL85	8.0 kN									
AEL86	12.0 kN							EL5974	M18 x 1.5	AEL8XQ18 + AEL8Q125
AEL87	15.0 kN									

¹ Included in the standard scope of supply AEL82 to AEL85

AEL8 accessories

Actuator Type	Thrust	Voltage	I/O Module	Positioner	Heater	
AEL8	2 - 6 kN	230Vac	AEL8981	AEL8961	AEL8954	
		110Vac				
		24Vac			AEL8596	
		24Vdc				
	8-15 kN	230Vac				AEL8954
		110Vac				
		24Vac				
		24Vdc				AEL8965

Dimensions/Weights (approximate in mm and kg)



Actuator	Thrust	Dimensions (mm)					Weight (kg)	
		A	B	C	D Pillar Centre	E Cover removal space		
AEL82	2.0 kN	133	259	410	100	140	6.0	
AEL83	4.5 kN							
AEL84	6.0 kN							
AEL85	8.0 kN	161	345	523		205		11.0
AEL86	12.0 kN							
AEL87	15.0 kN							

Safety information, installation and maintenance

Full details for the safe installation, commissioning and removal of the AEL8 Series actuator can be found in IM-P714-02 for AEL8 versions

Installation and wiring note

The valve should be installed in the horizontal line. The position of the actuator will depend on the type of valve to which it is fitted and the temperature of the media. However, it is not recommended that the actuators be fitted directly below the valve or in a wet environment.

Disposal

This product is recyclable. No ecological hazard is anticipated with the disposal of this product, providing due care is taken.

AEL8 Series nomenclature

Product Name	A	= Actuator		A
	E	= Electric		E
	L	= Linear		L
	8	= Model		8
Thrust (kN)	2	= 2.0 kN		2
	3	= 4.5 kN		
	4	= 6.0 kN		
	5	= 8.0 kN		
	6	= 12.0 kN		
	7	= 15.0 kN		
	Stroke (mm)	2	= 60mm	
3		= 80mm		
Speed @ 30%	2	= Medium	0.8-1.9 mm/s	2
	3	= High	2.0+ mm/s	
Supply Voltage	1	= 90....264 Vac wide range input		3
	3	= 24 Vac/24Vdc		
Control signal	P	= Modulating	(0)4-20mA / 0(2)-10V Positioner	P
Failure Mode	X	= None		S
	S	= Super-Capacitor	Non-retrofit option	
Options	X	= None		X
	O	= I/O Module		
	E	= EasiHeat M12		

Ordering example



Selection example

Control Valve	DN20 KE43 HTSUSS Kv10
Kvs	6.3
Connection	PN40
Operating ΔP	30 bar
Electrical Supply	24Vdc
Control Input Signal	4-20mA
Position Feedback	4-20mA
End-position Feedback	VFC

Information source

Minimum Thrust required	2 kN	Differential Pressure Tables (Class IV) Metal Seated (T & S)
Maximum ΔP	64.6 bar g	
Mounting Flange	EL5970	AEL8 Valve Adapter and Mounting Flange Selection - Spira-trol™ K & L
Stem Adapter	AEL8XM8	
Positioner	Integral	AEL8 Technical Specification
Position Feedback	Positioner function	AEL8 Technical Specification
End-position Feedback	I/O module	AEL8 Accessories (Positioner)