

# spirax sarco®

## Type DM Solenoid Valves for use with Piston Actuated Valves

### Description

A 3 way normally closed electropneumatic pilot solenoid valve that can be directly mounted (banjo connection) to the PF51G, and PF61G-NC, NO and BD series piston actuated valves.

Suitable for air, water or inert gas operating media. The valve is supplied with a DIN connector and fitted with manual override as standard.

### Available types

Model	Actuator	Voltage/Frequency	Actuator Connection
DM11N	45mm	240/60 VAC	1/8" BSP
DM12N	45mm	120/60 VAC	1/8" BSP
DM13N	45mm	24/60 VAC	1/8" BSP
DM14N	45mm	24 VDC	1/8" BSP
DM21N	63mm	240/60 VAC	1/4" BSP
DM22N	63mm	120/60 VAC	1/4" BSP
DM23N	63mm	24/60 VAC	1/4" BSP
DM24N	63mm	24 VDC	1/4" BSP
DM31N	90mm	240/60 VAC	1/4" BSP
DM32N	90mm	120/60 VAC	1/4" BSP
DM33N	90mm	24/60 VAC	1/4" BSP
DM34N	90mm	24 VDC	1/4" BSP

### Technical details

Mounting		Banjo connection	
Manual override		Fitted as standard	
Connector DIN 43650	Form B	DM11N, DM12N, DM13N, and DM14N	
	Form B	DM21N, DM22N, DM23N, and DM24N	
	Form A	DM31N, DM32N, DM33N, and DM34N	
Pilot media connection	DM11N to DM14N	1/8" NPT	
	DM21N to DM24N	1/8" NPT	
	DM31N to DM34N	1/8" NPT	
Coil consumption	DM11N, DM12N	AC 9	(holding)
	DM13N, DM14N	AC 14	(inrush)
		DC 6	
	DM21N, DM22N	AC 9	(holding)
	DM23N, DM24N	AC 14	(inrush)
		DC 6	
	DM31N, DM32N	AC 15	(holding)
	DM33N, DM34N	AC 30	(inrush)
		DC 10	

### Limiting conditions

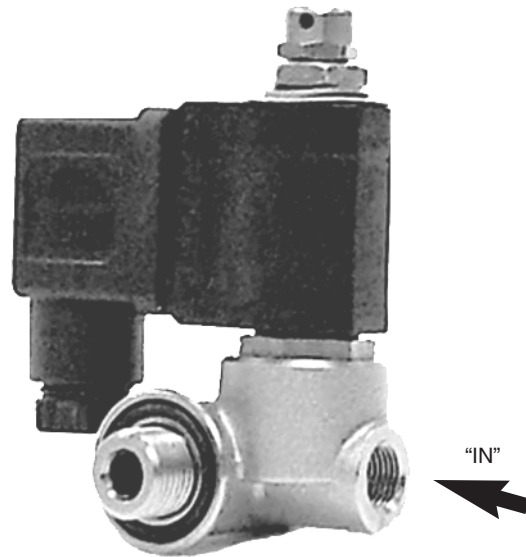
Maximum media temperature	140°F
Minimum media temperature	14°F
Protection class	IP65 (with connector)
Operating pressure	0 - 150 psig

### Materials

Part	Material
Body	ELNP Niploy coated brass
Seal	FKM

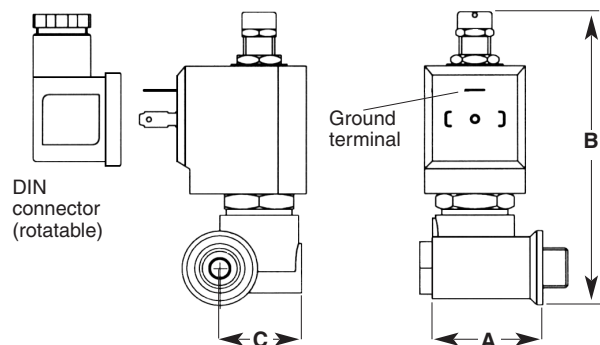
### Spare parts

Coil and/or DIN connector available, consult SSI.



### Dimensions / weights (approximate) in inches and lbs.

Type	A	B	C	Weight
DM11N, DM12N, DM13N and DM14N	1.22	3.03	1.06	0.60
DM21N, DM22N, DM23N and DM24N	1.38	3.07	1.06	0.60
DM31N, DM32N, DM33N and DM34N	1.38	3.74	1.06	0.84



Note: DM3XN Series shown

### Installation

The valve can be directly mounted (banjo connection) onto the actuator.

### How to order

Example: 1-DM21N Solenoid Valve 240 VAC