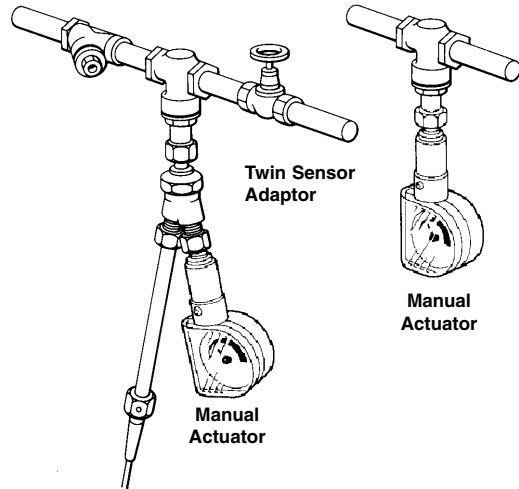
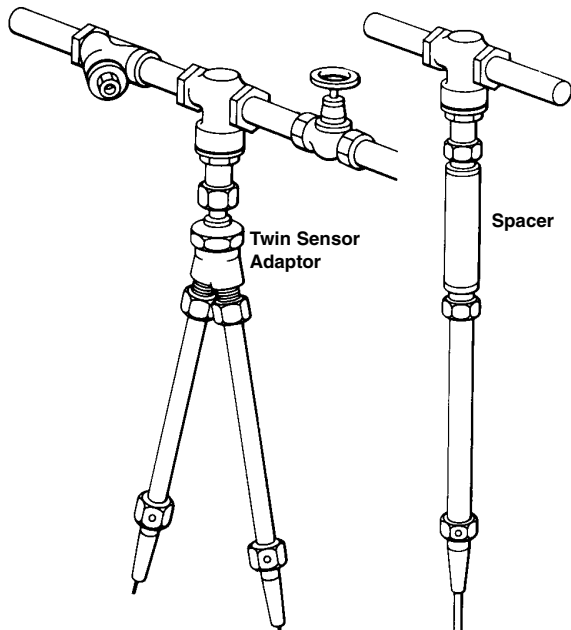


spirax sarco®

Temperature Control Ancillaries

TWIN SENSOR ADAPTOR

When coupled to a 2 port or 3 port valve allows the valve to be operated by either actuator.

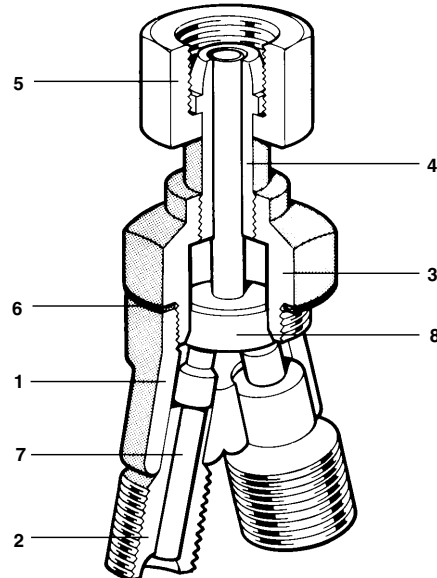
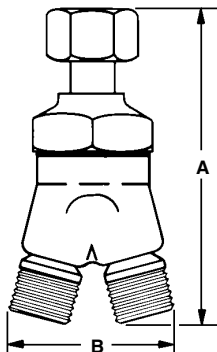


CONSTRUCTION MATERIALS

No.	Part	Material	
1	Body	Brass	BS 2872 CZ 122
2	Connector	Brass	BS 2872 CZ 121
3	Lower Body	Brass	BS 2872 CZ 121
4	Nipple	Brass	BS 2872 CZ 121
5	Valve Coupling Nut	Brass	BS 2872 CZ 121
6	Body Gasket	Compressed Asbestos Fiber	BS 2815 Gr. A
7	Push Rod	Brass	BS 2872 CZ 121
8	Plunger	Brass	BS 2872 CZ 121

DIMENSIONS (NOMINAL) IN INCHES & MILLIMETERS

A	B	Weight
4.2	2.3	1.6 lb
108	60	0.72 kg



Local regulation may restrict the use of this product below the conditions quoted. Limiting conditions refer to standard connections only.
In the interests of development and improvement of the product, we reserve the right to change the specification.

Temperature Control Ancillaries

SPACER

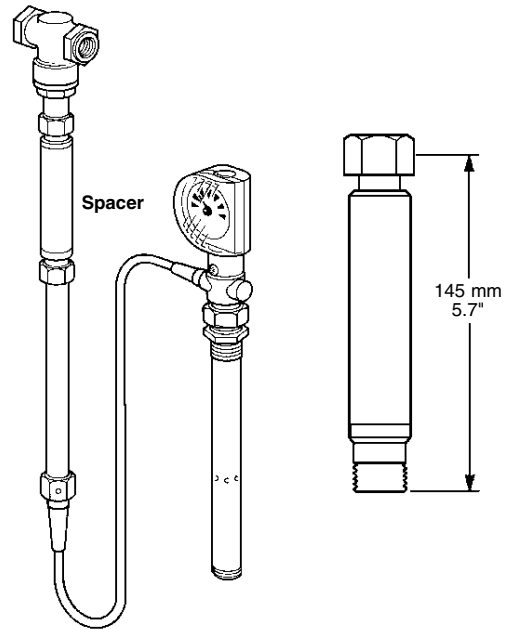
When coupled between a 2 port or 3 port valve and the actuator, it enables the system to operate at a higher temperature. Each Valve has its individual limiting conditions, but when coupled to a Control System, these are governed by the brass actuator which is limited to 450°F (232°C). Installing the spacer between the valve and the control system enables the system to operate at a maximum temperature of 662°F (350°C).

LIMITING CONDITIONS

Maximum pressure 362 psi 25 bar
 Maximum temperature 662°F 350 °C

CONSTRUCTION MATERIALS

Part	Material
Case	Brass BS 2871 part 2 CZ 162
(1972) Bellows	Stainless Steel AISI 321



MANUAL ACTUATOR

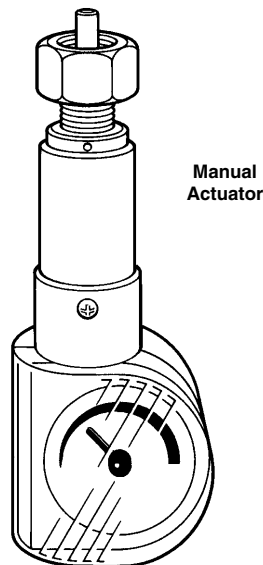
When coupled to a 2 port or a 3 port valve, it enables the valve to be manually operated.

TAMPER PROOF

The Unit is provided with a lockable head to prevent unauthorized tampering with the setting.

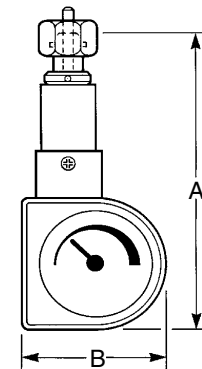
MATERIALS

Brass with plastic adjustment head



DIMENSIONS (NOMINAL) IN INCHES & MILLIMETERS

A	B	Weight
6.3	2.2	0.5 lb
160	55	0.2 kg



TI-1-903-US 06.95