

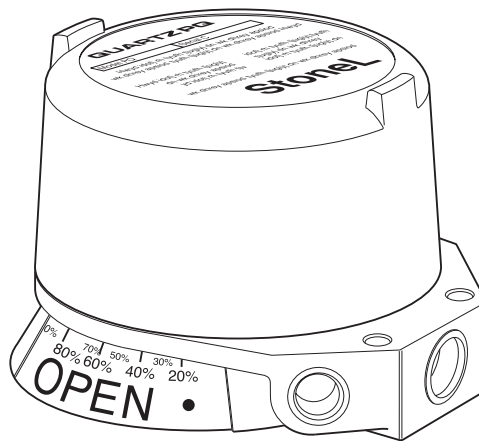


## Stonel Limit Switch

### Description

The Stonel Limit Switch is for use with the K Series pneumatic control valves and PN5000/6000 actuators. It is mounted on the PN5000/6000 actuators and can provide visual indication if the valve is fully open, fully closed, partially open (0-100%) or partially closed (0-100%).

The Stonel Limit Switch has fully adjustable cams which allow the switches to be set to be actuated at any desired valve travel.



### Technical data

#### Model No. PQ2SE2R

Function	2 switches	
Switch Data	2x SPDT. Maxx-Guard LED Proximity switches	
Junction Features	(1) ¾" NPT and (1) ½" NPT conduit entries	
Visual Indicator	OPEN - Green	
	CLOSED - Red	
Enclosure Rating (Aluminum Cover)	Factory Mutual and Canadian Standards approved for:	
	Class I:	Groups C & D. Divisions 1 and 2.
	Class II:	Groups E, F, G. Division 1.
	Class II:	Groups F & G. Division 2.
	NEMA 4, 4X and 6	
Sensors	SPDT	
Electrical Ratings	0.3A @ 120 Vdc	
Temperature Range	-30.6 °C to 82.2 °C (-23 °F to 180°F)	
Seal	Hermetically Sealed	
Operating Life	5,000,000 cycles	
Maximum Voltage Drop	3.5 volts @ 10 mA	6.5 volts @ 100 mA
Minimum Current for LED Illumination	2.0 mA	

## Materials

Part	Material
Cover Features	Epoxy coated anodized aluminum cover (optional clear Lexan cover)
O-Ring Seals	Viton
Shaft and Drive	All materials are 303 or 316 stainless steel
Internal Fasteners	Stainless Steel

## Installation

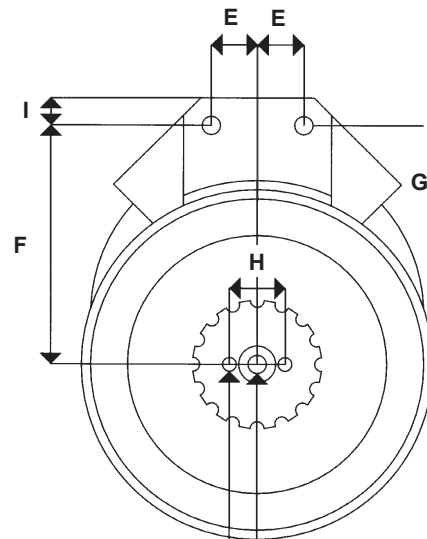
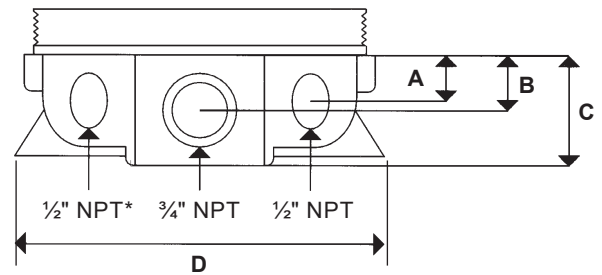
Full details are contained in the appropriate Installation and Maintenance Instructions supplied with the product.

## Dimensions (approximate) in mm and inches

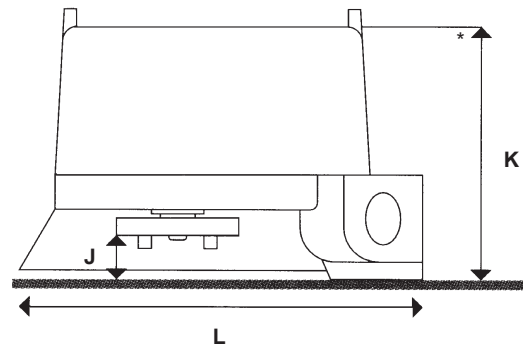
	A	B	C	D
mm	15.9	19.1	38.1	120.7
inches	.625	.75	1.50	4.75

	E	F	G	H	I
mm	19.1	82.6	6.86	18.2	9.6
inches	.75	3.25	.27	.718	.38

	J	K	L
mm	18.2	92.7	152.4
inches	.718	3.65	6.0



3.96 mm (0.156" Ø Pins/2) #6-32 Pan Head Screw



\* The 1/2" Conduit Entry is Located on the Left Side of the 3/4" Conduit Entry