

spirax sarco®

Stonel Limit Switch

Description

The Stonel Limit Switch is for use with the K Series pneumatic control valves and PN5000/6000 actuators. It is mounted on the PN5000/6000 actuators and can provide visual indication if the valve is fully open, fully closed, partially open (0-100%) or partially closed (0-100%).

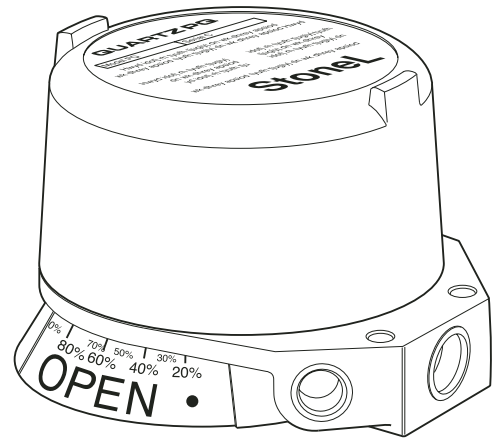
The Stonel Limit Switch has fully adjustable cams which allow the switches to be set to be actuated at any desired valve travel.

Technical Data

Model No. PQ2SE2R	
Function	2 switches
Switch Data	2x SPDT. Maxx-Guard LED Proximity switches
Junction Features	(1) 3/4" NPT and (1) 1/2" NPT conduit entries
Visual Indicator	OPEN - Green CLOSED - Red
Enclosure Rating (Aluminum Cover)	Factory Mutual and Canadian Standards approved for: Class I: Groups C & D. Divisions 1 and 2. Class II: Groups E, F, G. Division 1. Class II: Groups F & G. Division 2. NEMA 4, 4X and 6
Sensors	SPDT
Electrical Ratings	0.3A @ 120VAC
Temperature Range	-23° to 180°F (-40° to 82°C)
Seal	Hermetically Sealed
Operating Life	5,000,000 cycles
Maximum Voltage	3.5 volts @ 10 mA
Drop	6.5 volts @ 100 mA
Minimum Current for LED Illumination	2.0 mA

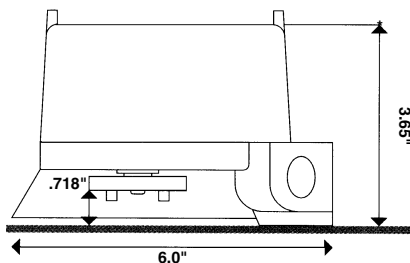
Construction Materials

Part	Material
Cover Features	Epoxy coated anodized aluminum cover (optional clear Lexan cover)
O-Ring Seals	Viton
Shaft and Drive	All materials are 303 or 316 stainless steel
Internal Fasteners	Stainless Steel

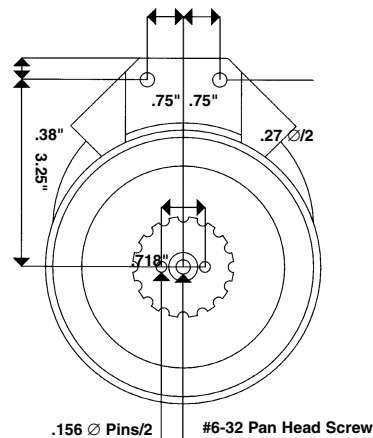
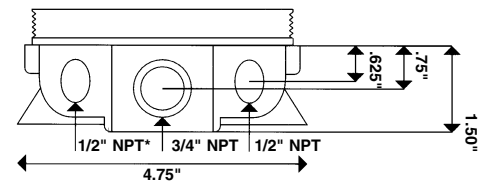


Installation

Full details are contained in the appropriate Installation & Maintenance Instructions supplied with the product.



* The 1/2" Conduit Entry is Located on the Left Side of the 3/4" Conduit Entry



Local regulation may restrict the use of this product below the conditions quoted. Limiting conditions refer to standard connections only.
In the interests of development and improvement of the product, we reserve the right to change the specification.