

spirax/sarco®

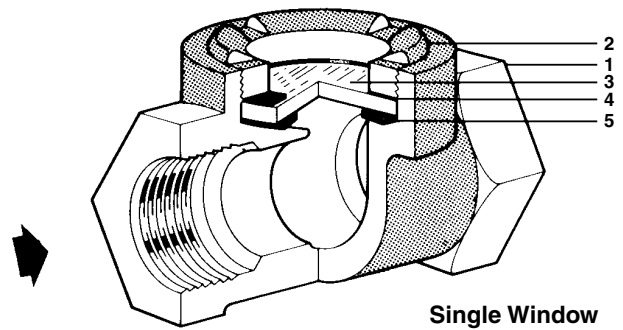
Sight Glass

A Sight Glass provides a visual indication of liquid flow through pipework.

Model ⇄	Single Window	Double Window
Sizes	1/2", 3/4", 1"	1-1/4", 1-1/2", 2"
Connections	NPT	
Construction	Brass Body	Bronze Body
	Toughened Glass	
Options	BSP Connections	

Construction Materials

No.	Part	Material	
1	Body	1/2" to 1"	Brass BS 1400 LG2
		1-1/4" to 2"	Bronze BS 1400 LG2 GpA
2	Bezel	Brass	BS 2872 CZ 122
3	Window	Toughened Soda Lime Glass	BS 3463
4	Top Washer (thin)	Reinforced Exfoliated Graphite	
5	Bottom Washer	Reinforced Exfoliated Graphite	



Single Window

Limiting Operating Conditions

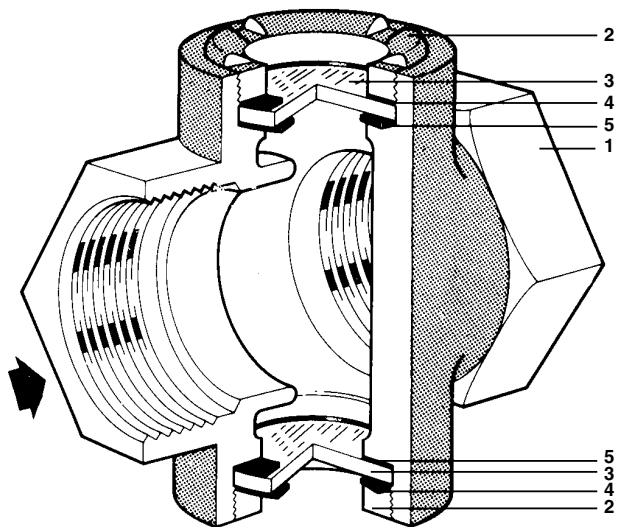
Max. Operating Pressure (PMO) 50 psig (3.5 barg)

Max. Operating Temperature 298°F (148°C)

Pressure Shell Design Conditions

PMA 72 psig/0-298°F 5 barg/0-148°C
Max. allowable pressure

TMA 298°F/0-72 psig 148°C/0-5 barg
Max. allowable temperature



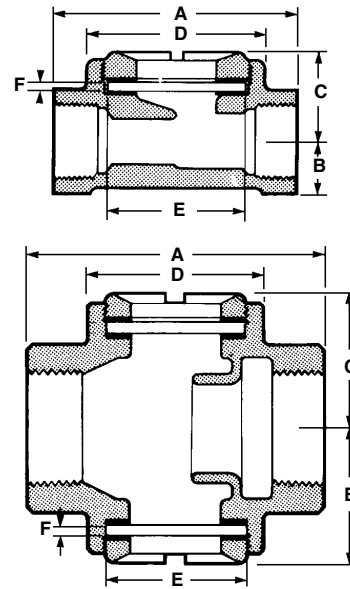
Double Window

Typical Applications

On any liquid system where indication of flow through pipe is required. Applications such as water lines, outlet condensate side of steam traps and discharge of pumps.

Sight Glass

Dimensions (nominal) in inches and millimeters							
Size	A	B	C	D	E	F	Weight
Single Window							
1/2"	3.5 89	0.63 16	1.3 32	2.5 64	2.0 50	0.18 4.8	1.5lb 0.6 kg
3/4"	3.5 89	0.75 19	1.4 35	2.5 64	2.0 50	0.18 4.8	1.7 lb 0.7 kg
1"	3.5 89	0.94 24	1.5 38	2.5 64	2.0 50	0.18 4.8	2.0 lb 0.9 kg
Double Window							
1-1/4"	4.3 108	2.0 51	2.0 51	2.9 73	2.0 50	0.18 4.8	4.4 lb 1.9 kg
1-1/2"	4.3 108	2.0 51	2.0 51	2.9 73	2.0 50	0.18 4.8	4.0 lb 1.8 kg
2"	4.5 114	2.2 57	2.2 57	3.0 76	2.0 50	0.18 4.8	5.5 lb 2.5 kg



Sample Specification

Sight Glass shall be single/double type having brass body with screwed connections and removable toughened glass windows.

Installation

When installed on the outlet of a steam trap having a blast action discharge, the sight glass should be positioned at least 3 feet (1 meter) from trap outlet.

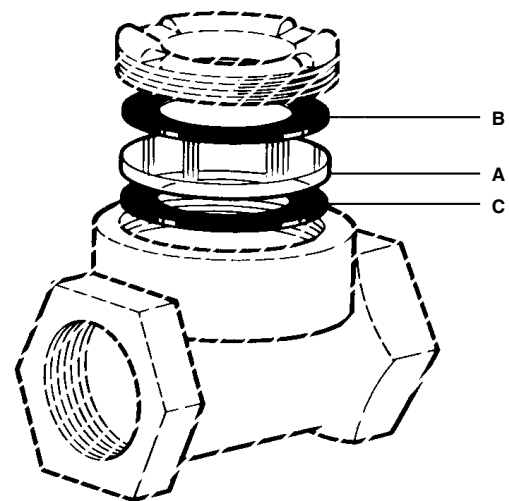
Maintenance

This product can be maintained without disturbing the piping connections. Complete isolation of the sight glass is required before any servicing is performed.

The sight glass should be disassembled as necessary for cleaning of the glass. The glass should be examined carefully for any evidence of erosion or chemical attack.

Worn or damaged parts should be replaced using a complete Repair Kit comprised of toughened glass and gaskets.

Spare Parts



Set of Windows & Gaskets/Washers A, B, C

Set of Gaskets/Washers B, C

Spare Parts are common to all sizes.
Available spare parts are shown in heavy outline. Parts drawn in broken line are not supplied as spares.