

spirax sarco®

Sight Check (Combined Sight Glass & Check Valve)

The Sight Check provides visual indication of liquids flowing through pipework. An integral check valve prevents back flow of liquids.

Model ⇄	Sight Check
Sizes	1/2", 3/4", 1"
Connections	NPT
Construction	Bronze Body Stainless Steel Ball
Options	BSP Connections

Construction Materials

No.	Part	Material	
1	Body	Bronze	BS 1400 LG1
2	Gasket	Glass reinforced granite laminate	
3	Sight Tube	Borosilicate Glass	
4	Discharge Tube	Copper	BS 2871 PT2 C106
5	Ball Check	Stainless Steel	BS 970 420 S45
6	Cover	Brass	BS 1400 PC81
7	Cover Bolts	Steel Zinc Plated	BS 3692 GR.8.8
8	Shake Proof Washers	Steel Zinc Plated	

Limiting Operating Conditions

Max. Operating Pressure (PMO) 50 psig (3.5 barg)

Max. Operating Temperature 298°F (148°C)

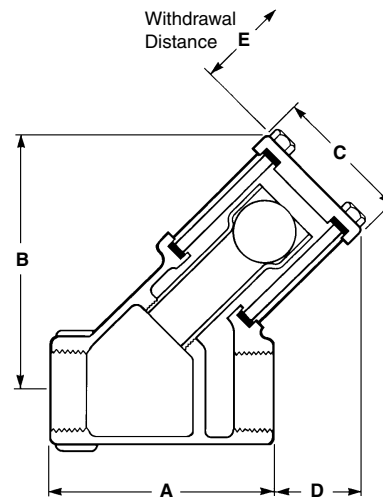
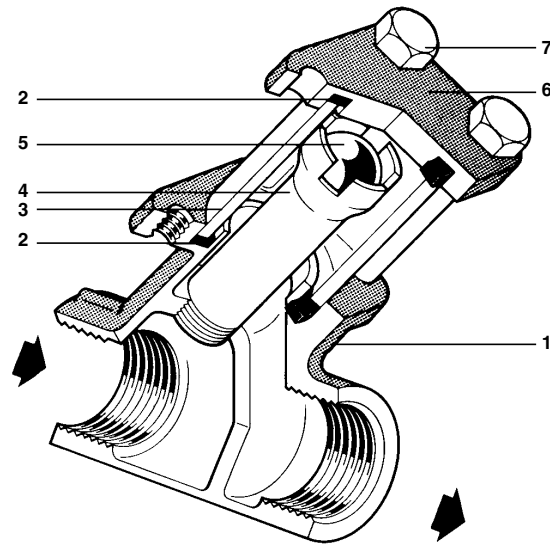
Pressure Shell Design Conditions

PMA 66 psig/0-298°F 4.6 barg/0-148°C
Max. allowable pressure

TMA 298°F/0-66 psig 148°C/0-4.6 barg
Max. allowable temperature

Typical Applications

On any liquid system where indication of flow through the pipe is required, along with the prevention of liquid backflow. Applications such as water lines, outlet discharge of steam traps and discharge of pumps.



Dimensions (nominal) in inches and millimeters						
Size	A	B	C	D	E	Weight
1/2"	3.0 76	3.7 95	1.7 44	1.5 38	2.5 64	1.4 lb 0.6 kg
3/4"	3.0 76	3.8 96	1.7 44	1.5 38	2.5 64	1.4 lb 0.6 kg
1"	3.5 89	4.3 108	2.1 54	1.5 38	2.5 64	2.7 lb 1.2 kg

Local regulation may restrict the use of this product below the conditions quoted. Limiting conditions refer to standard connections only.
In the interests of development and improvement of the product, we reserve the right to change the specification.

Sight Check

(Combined Sight Glass & Check Valve)

Sample Specification

Sight Check valves shall have a borosilicate viewing glass and internal ball check valve. The ball check valve shall be situated so as to provide a visual indication of flow.

Installation

When installed on the outlet of a steam trap having a blast action discharge, the sight glass should be positioned at least 3 feet (1 meter) from the trap outlet. This is to ensure the glass tube is not subjected to thermal shock. The sight check can be installed in horizontal or vertical pipework, provided that the ball check can close by gravity.

Warning: Since condensate can, in some cases, act as a solvent on glass, it is advisable to check the tube periodically for thinning and to take reasonable steps to protect people from injury, should the glass break.

Maintenance

This product can be maintained without disturbing the piping connections. Complete isolation of the sight check is required before any servicing is performed.

The sight check should be disassembled periodically for inspection and cleaning of the glass, ball check and seat. Worn or damaged parts should be replaced as required.

Complete installation and maintenance instructions are given in the IMI sheet, which accompanies the product.

