

# spirax sarco

## Sanitary Pressure Gauge

### Description

The hygienic pressure gauge for clean steam applications is made of stainless steel and can be used in adverse service conditions where pulsation or vibration exists. It is 3A compliant and suitable for corrosive environments and gaseous or liquid media that will not obstruct the pressure system.

### Available dial size and ranges:

| Dial Size | Range    | Range    | Range     | Range      |
|-----------|----------|----------|-----------|------------|
| 2-1/2"    | 0-30 psi | 0-60 psi | 0-100 psi | 0-160 psi  |
| 4"        | 0-30 psi | 0-60 psi | 0-100 psi | 30hg/60psi |

Note: Other sizes and ranges are available through special request.

### Certification

All certification/inspection requirements must be stated at the time of order placement.

### Pipe connection 1½" sanitary clamp connection.

Note: Other pipe connections are available through a special quote.

### Pressure/temperature limits

|     |                               |             |                          |
|-----|-------------------------------|-------------|--------------------------|
| PMA | Maximum allowable pressure    | Short time  | 1.3 x Full scale reading |
|     |                               | Steady      | Full scale reading       |
|     |                               | Fluctuating | 0.9 x Full scale reading |
| TMA | Maximum allowable temperature | 200°C       |                          |
|     | Minimum allowable temperature | -20°C       |                          |
| PMO | Maximum operating pressure    | Range 1     | 6 bar                    |
|     |                               | Range 2     | 10bar                    |
| TMO | Maximum operating temperature | 184°C       |                          |

### Accuracy

|          |   |
|----------|---|
| Accuracy | 4" Dial = 0.5% Full Scale (ANSI Grade 2A)     |
|          | 2-1/2" Dial = 1.0% Full Scale (ANSI Grade 1A) |

When the temperature of the pressure element rises above 68°F add the accuracy error and when it falls below 68°F subtract the accuracy error.

Note: These errors are computer generated and for guidance only.

### Installation note:

It is recommended that all gauges are fitted with suitable isolation valves to allow for safe maintenance/replacement. Fittings, clamps and gaskets for pipe end connections are not supplied.

### Maintenance note:

The only maintenance work necessary is regular cleaning of the polycarbonate window. Solvents should not be used to clean the window as it may impair clarity.

### Caution

Do not over-tighten the clamp as this may cause the gasket to spread/extrude.

### Disposal

The product is recyclable. Care must be taken to ensure disposal of oil is carried out in accordance with national and local regulations regarding disposal of waste oil.

### Spare parts

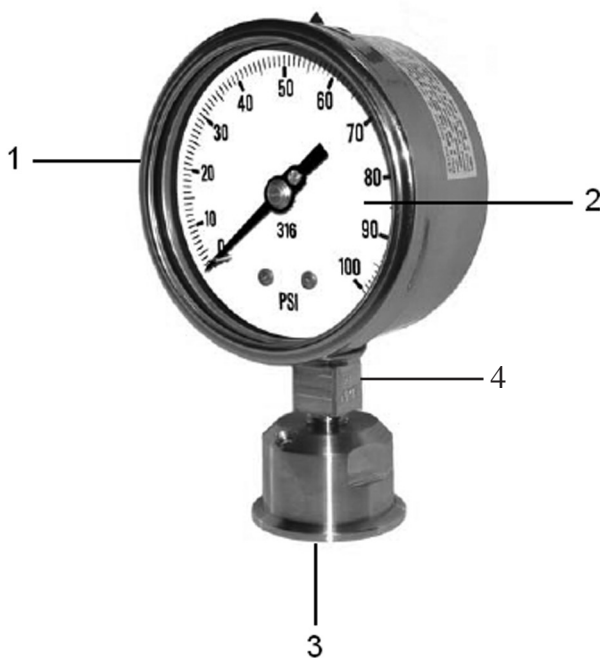
No spare parts are available for the hygienic pressure gauge.

### How to order

Example: 1 off Spirax Sarco 2½" hygienic pressure gauge with a pressure range of 0 - 100 psi and having sanitary clamp connections.

Local regulation may restrict the use of this product below the conditions quoted. Limiting conditions refer to standard connections only.

In the interests of development and improvement of the product, we reserve the right to change the specification.

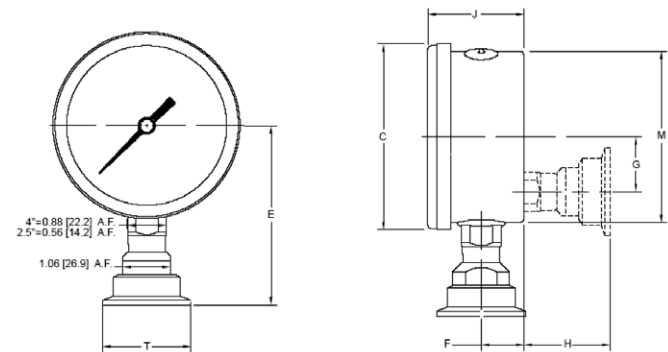


### Materials

| No. | Part            | Material               |
|-----|-----------------|------------------------|
| 1   | Gauge case      | Stainless steel        |
| 2   | Gauge window    | Laminated Safety Glass |
| 3   | Diaphragm       | 316 Stainless steel    |
| 4   | Process Housing | 316 Stainless Steel    |

Hermetically Sealed/Weather Proof

### Dimensions/weight (approximate) in inches and pounds



| Dial Size | Tri-Clamp Size | C            | E          | F           | G           | H           | J           | M           | T         |
|-----------|----------------|--------------|------------|-------------|-------------|-------------|-------------|-------------|-----------|
| 2½"       | 1½"            | 2.72 [69.1]  | 2.87 [73]  | 0.39 [10]   | CENTER      | 1.63 [41.5] | 1.14 [29]   | 2.48 [63]   | 1.98 [50] |
|           | 2"             | 2.72 [69.1]  | 3.07 [78]  | 0.39 [10]   | CENTER      | 1.83 [46.5] | 1.14 [29]   | 2.48 [63]   | 2.51 [64] |
| 4"        | 1½"            | 4.18 [106.2] | 4.02 [102] | 0.96 [24.4] | 1.24 [24.4] | 1.93 [49]   | 2.15 [54.6] | 3.85 [97.8] | 1.98 [50] |
|           | 2"             | 4.18 [106.2] | 4.21 [107] | 0.96 [24.4] | 1.24 [54]   | 2.12 [54]   | 2.15 [54.6] | 3.85 [97.8] | 2.51 [64] |