



Packless Radiator Supply Valve RV Series

Description

The RV Series are packless, non-rising stem series brass radiator valves for steam and liquid services, available in angle pattern and straight connections.

Model	RV
Sizes	1/2" to 1 1/2"
Connections	Union /Threaded
Construction	Brass
Options	Extension Stem Assembly

Limiting conditions

Steam:	150 psi g (10.3 bar) 366 °F (186 °C)
Liquid:	200 psi g (13.9 bar)

Sizes and pipe connections

Model	Pattern	Connection	Size
RV-AP	Angle	Pipe to Male Union	1/2", 3/4", 1", 1 1/4", 1 1/2"
RV-ST	Straightway	Pipe to Male Union	1/2", 3/4", 1", 1 1/4", 1 1/2"

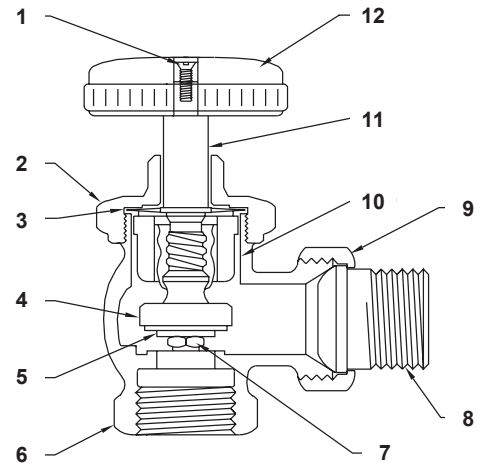
RV-AP Series meets Mil. Spec. WWV-160B, Section 3.1.1, Style A
 RV-ST Series meets Mil. Spec. WWV-160B, Section 3.1.1, Style A

Sample specification

Low profile non-rising stem packless radiator valve.
 All brass construction with pipe to male connections.

Materials

RV-AP
 shown



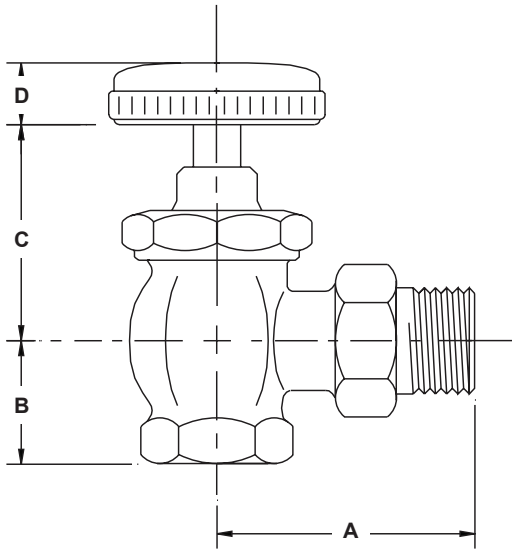
No.	Part	Material	
1	Handle Screw	Yellow Brass	ASTM B-16
2	Valve Bonnet	Red Brass	ASTM B-62
3	Metalflex Sealing Disc	Copper	Copper
4	Composition Disc	Special	CFF/TEF
5	Washer	Yellow Brass	ASTM B-16
6	Valve Body	Red Brass	ASTM B-62
7	Sealing Disk Support	Yellow Brass	ASTM B-16
8	Tailpiece	Yellow Brass	ASTM B-16
9	Union Nut	Yellow Brass	ASTM B-16
10	Thrust Nut	Yellow Brass	ASTM B-16
11	Valve Stem	Yellow Brass	ASTM B-16
12	Handle	Spec Plastic	NYL/FBGL 22

Dimensions/weight nominal in inches (*mm*) and lbs (*kg*)

No	Size	A	B	C	D	lbs/kg
AP-1	1/2"	2.375	1.187	2.187	0.625	1.15
		57	30	55	16	0.52
	3/4"	2.875	1.187	2.187	0.625	1.50
		73	30	55	16	68
	1"	3.125	1.5	2.313	0.75	2.25
		83	38	59	19	1.02
	1 1/4"	3.5	1.75	2.625	0.875	2.55
		89	44	67	22	1.157
	1 1/2"	3.875	1.94	2.813	0.875	3.55
		98	49	71	22	1.161

No	Size	A	B	C	D	lbs/kg
ST-1	1/2"	2.375	1.375	2.688	0.625	1.25
		57	35	68	16	0.567
	3/4"	2.875	1.375	2.813	0.625	1.65
		73	35	72	16	0.75
	1"	3.125	1.688	3.062	0.75	2.75
		83	43	78	19	1.25
	1 1/4"	3.625	2	3.563	0.75	3.15
		92	51	89	19	1.429
	1 1/2"	3.875	2.375	3.875	0.865	4.52
		98	60	98	22	2.05

MODEL AP
Angle Pattern
(Typical)



MODEL ST
Straightaway Pattern
(Typical)

