



Pressure Powered Pump™ Accessories Insulation Covers

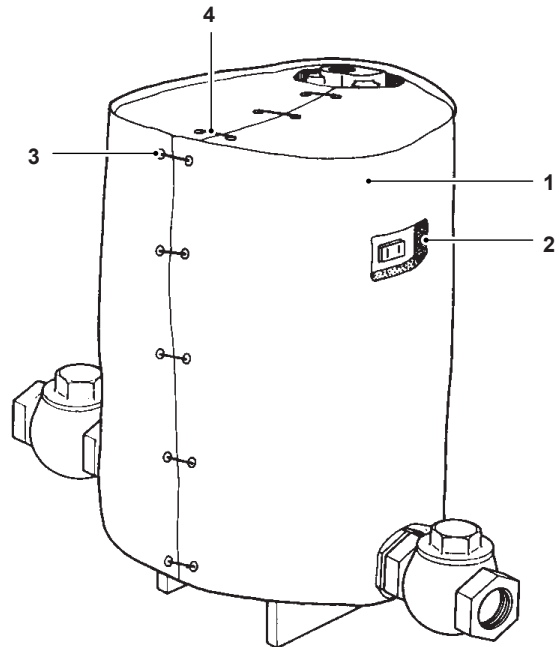
Description

The Spirax Sarco Insulation Cover is a removable, reusable cover custom designed for use with all Spirax Sarco Pressure-Powered Pumps. These covers not only offer increased energy savings through quality insulation, but also give personnel protection from exposure to hot metal surfaces. The Spirax Sarco Insulation Cover is made of the highest quality materials available – 1" thick fiberglass material is quilted between two layers of 16 oz. teflon-impregnated fiberglass cloth. The water, oil and chemical resistant construction provides long-lasting insulating quality and equipment protection indoors, outdoors, and in most corrosive conditions.

Less expensive to install than conventional hard insulation, the covers are abuse-resistant and will not wick moisture or hydrocarbons. Removable and reinstalled in minutes, the one-piece construction maximizes energy savings and provides rapid payback.

Limiting operating conditions

| | |
|--------------------------------------|--|
| Maximum operating temperature | 500 °F (260 °C) continuous |
| | PPEC Insulation cover |
| | PTC Insulation cover (up to 3" x 2" size) |
| Standard range | PTF Insulation cover (up to 3" x 2" size) |
| | PTF4 Insulation cover (has 2 pc. construction) |
| | APT10-4.5 Insulation cover |
| | APT14 Insulation cover |
| | APT14HC Insulation cover |



Installation

Check the nameplate on the insulation cover and pump to be sure you have the correct cover for your pump, i.e., PTC Cover will fit only model PTC Pump. Slip the cover around the pump, making sure the steam inlet and outlet connections are exposed through their respective cut-outs. Cut-outs are also provided for the optional gauge glass assembly on the pump. Take the stainless steel wires attached to one side of the mating edge and pull them snugly around the lacing pins on the adjacent mating edge of the cover, much like lacing a work boot.

Sample specification

The reusable cover shall be a Spirax Sarco Insulation Cover, custom-fitted for the specific Spirax Sarco Pressure Powered Pump or Automatic Pump Trap required. The cover shall contain no asbestos or silicone materials. The cover cloth shall be teflon-impregnated, with double sewn and binded seams, suitable for continuous temperatures of 500 °F (260 °C), and the insulation shall be minimum 1" thick Burlglass 1200 needled mat with 100% Type E glass fibers. The insulation cover shall not spread flame or smoke and render a V-O rating when tested under the NFPA 701 vertical flame test.

Materials

| No. | Part | Material |
|-----|----------------|--------------------------|
| 1 | Cover cloth | Teflon coated fiberglass |
| 2 | Insulation mat | Fiberglass |
| 3 | Anchor pin | Type 304 Stainless steel |
| 4 | Wire fastener | Type 304 Stainless steel |