

spirax sarco

Pressure Powered Pump™ Accessories

Insulation Covers

The Spirax Sarco Insulation Cover is a removable, reusable cover custom designed for use with all Spirax Sarco Pressure-Powered Pumps. These covers not only offer increased energy savings through quality insulation, but also give personnel protection from exposure to hot metal surfaces. The Spirax Sarco Insulation Cover is made of the highest quality materials available – 1" thick fiberglass material is quilted between two layers of 16 oz. teflon-

impregnated fiberglass cloth. The water, oil and chemical resistant construction provides long-lasting insulating quality and equipment protection indoors, outdoors, and in most corrosive conditions. Less expensive to install than conventional hard insulation, the covers are abuse-resistant and will not wick moisture or hydrocarbons. Removable and reinstalled in minutes, the one-piece construction maximizes energy savings and provides rapid payback.

Limiting Operating Conditions

Max. Operating Temperature

500°F (260°C) continuous

Standard Range

PPEC Insulation Cover

PTC Insulation Cover (up to 3"x2" size)

PTF Insulation Cover (up to 3"x2" size)

PTF4 Insulation Cover (has 2 pc. construction)

APT10-4.5 Insulation Cover

APT14 Insulation Cover

APT14HC Insulation Cover

Construction Materials

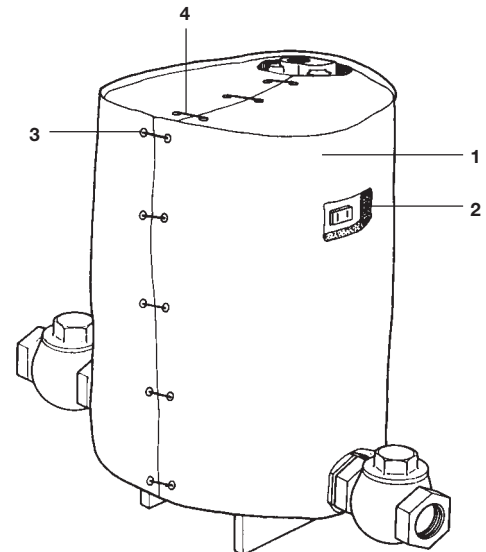
No.	Part	Material
1	Cover Cloth	Teflon Coated Fiberglass
2	Insulation Mat	Fiberglass
3	Anchor Pin	Type 304 Stainless Steel
4	Wire Fastener	Type 304 Stainless Steel

Installation

Check the nameplate on the insulation cover and pump to be sure you have the correct cover for your pump, i.e., PTC Cover will fit only model PTC Pump. Slip the cover around the pump, making sure the steam inlet and outlet connections are exposed through their respective cut-outs. Cut-outs are also provided for the optional gauge glass assembly on the pump. Take the stainless steel wires attached to one side of the mating edge and pull them snugly around the lacing pins on the adjacent mating edge of the cover, much like lacing a work boot.

Sample Specification

The reusable cover shall be a Spirax Sarco Insulation Cover, custom-fitted for the specific Spirax Sarco Pressure Powered Pump or Automatic Pump Trap required. The cover shall contain no asbestos or silicone materials. The cover cloth shall be teflon-impregnated, with double sewn and binded seams, suitable for continuous temperatures of 500°F, and the insulation shall be minimum 1" thick Burlglass 1200 needled mat with 100% Type E glass fibers. The insulation cover shall not spread flame or smoke and render a V-O rating when tested under the NFPA 701 vertical flame test.



Local regulation may restrict the use of this product below the conditions quoted. Limiting conditions refer to standard connections only.
In the interests of development and improvement of the product, we reserve the right to change the specification.

TI-5-225-US 3.17

Condensate Recovery
Non-Electric Pumps