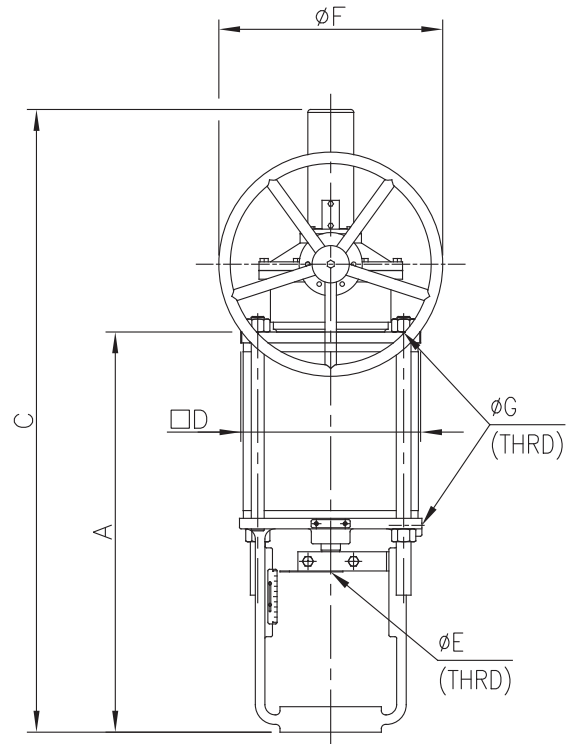


Direct Actuator
with Handwheel
(06 and 07
sizes)



Reverse
Actuator with
Handwheel (06
and 07 sizes)

Accessories

Pneumatic positioners, electro-pneumatic positioners, smart positioners, air regulators, Limit switch, electro-pneumatic transducer, solenoid valves and others.