



## PP6 Pneumatic Positioner



### Description

The PP6 positioner can control any valve that is actuated by a linear or rotary pneumatic actuator that conforms with NAMUR. It guarantees an exact proportionality between the stroke of the valve and the value of the pneumatic input signal into the positioner.

The PP6 has a cast aluminium housing that is also treated for outdoor installation. The unit can be mounted onto pneumatic actuators either rotary 55-90° or linear 20 to 150 mm.

The positioner can be supplied without a mounting kit or with a kit for rotary or linear actuators, the type must be specified when ordering.

As standard the PP6 is equipped with two pressure gauges to indicate air pressure command sent to the pneumatic actuator and the air pressure supplied to the positioner.

The PP6 is supplied for a pneumatic control signal 3 to 15 psi g and for an air supply pressure up to 100 psi g.

The positioners can be arranged for sequential operation of two or more pneumatic valves in such a way that the stroke of each valve is obtained by a split-range control signal.

For example: 3 to 9 psi g and 9 to 15 psi g in the case of two valves.

The PP6 can also be used to reverse the action of the control signal.

### Air supply

The PP6 positioner must be provided with a high quality air supply to ISO 8573-1:2010 Class 3:3:3.



**ATEX  
rating**

II 2G Ex h IIC T6 Gb  
EX h IIIC T85°C Db

### Applications

The PP6 can be used with any actuator that conforms to NAMUR, this includes all of the following Spirax Sarco pneumatic actuators:

**BVA300 rotary**

**PN1600**

**PNS3000 and PNS4000 series**

**PN9000 series**

**TN2000 series**

### Materials

Part	Material	Finish
Case and cover	Die cast aluminium	Anti-corrosive paint to RAL9016
Mounting bracket	Steel	EP protected
Feedback pin	Stainless steel	
Feedback lever	Stainless steel	
Feedback pin locator	Stainless steel	
Screws	Stainless steel	

## Technical data

Input signal range	3 - 15 psi g
Air supply	20 to 100 psi g (regulate 5 to 10 psi above actuator spring range)
Air quality	ISO 8573-1:2010 Class 3:3:3.
Output pressure	0 to 100% supply pressure
Actuator stroke	20 mm to 150 mm or 55° to 90°
Action	Single acting/fail vent/Double acting
Operating temperature	-4 °F to +158 °F
Air flow	2.83 SCFM @ 20 psi g
Steady state air consumption	0.09 SCFM @ 20 psi g
Air connections	¼" NPT female
Sensitivity	Single acting is +/- 0.2%
	Double Acting and Rotary are +/- 0.5%
Hysteresis	+/-1% F.S.
Linearity	Single acting is +/- 1%
	Double Acting and Rotary are +/- 2%
Repeatability	+/-0.5% F.S
Degree of protection	IP66
Characteristic	Linear
	Linear 4.63 lbs (positioner only)
Shipping weight	Mounting Kits for Linear PY1 and PY2 - 2.87 lbs, UY1,2,3 - 2.0 lbs, UBC - 0.45 lbs
	Rotary 7.28 lbs (Positioner and mounting kit)

## Positioner options

Basic model	Aluminium enclosure	PP6
	Safe Area or Explosion proof protection method	
Acting type	Single acting	S
	Double acting	D
Mounting type	Linear - See page 4 for Mounting Kit selection	L
	Rotary - Mounting Kit included	R
Air connection	¼" NPT	1
Non standard features	Standard model	A

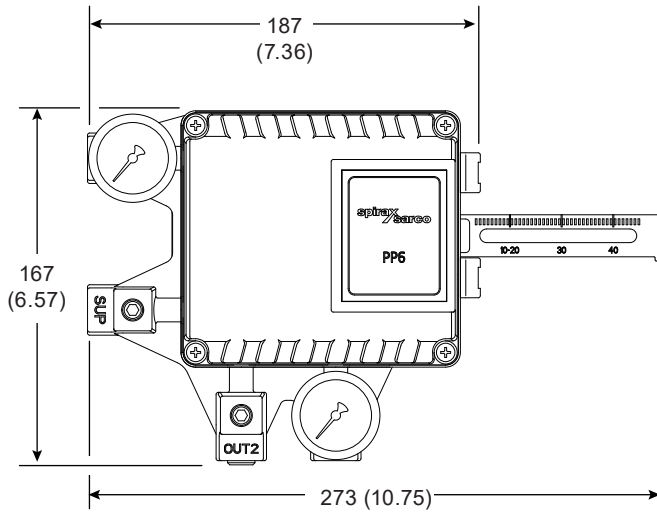
Ordering code example:



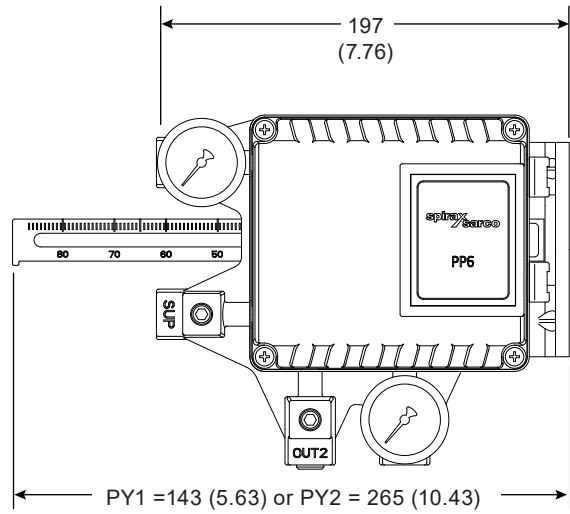
## Safety information, installation and maintenance

Full details are contained in the PP6 pneumatic positioner Installation and Maintenance Instructions.

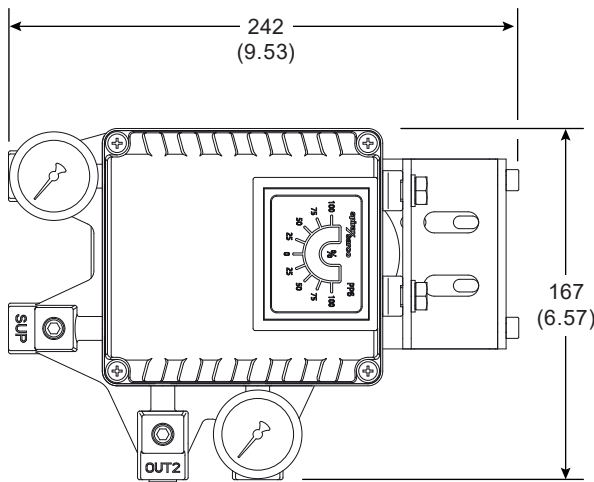
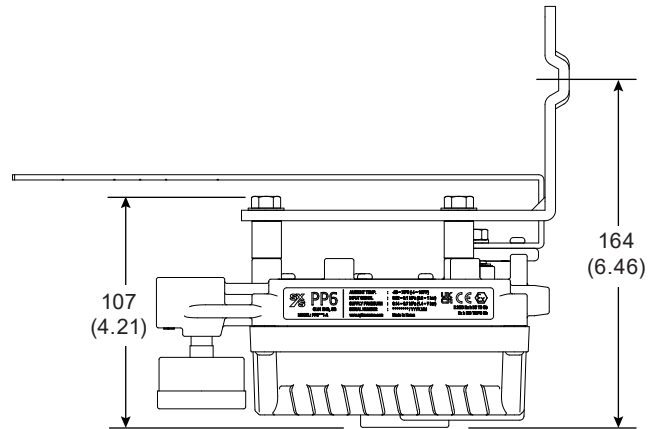
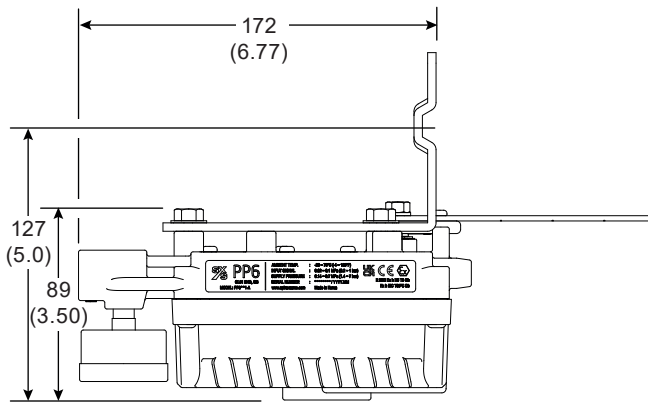
**Dimensions (approximate) in mm (inches)**



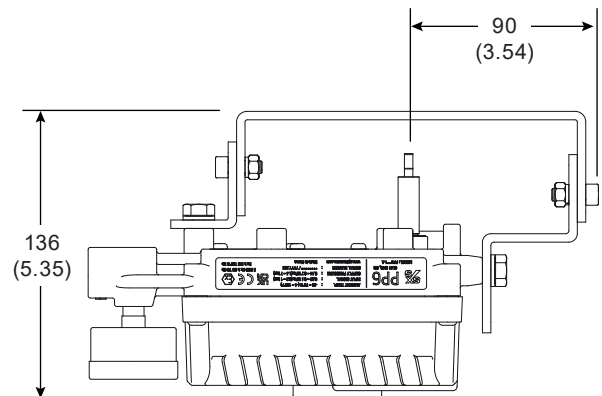
**Linear left mounted**



**Linear centrally mounted**



**Rotary mounted**



**Mounting/linkage kit : Positioner mounting kits will be supplied for central mounting as standard.**

Mounting Position	Actuator Model	Valve Models	Valve Sizes	Spirax kit Nomenclature
Central	PN9100	Spira-trol™ two port and QL three port	½" to 2"	PY1
	PN9200		½" to 2"	
	PN9300		6" to 12"	PY2
	PN9400			
	TN2030	Spira-trol™ two port and QL three port	½" to 4"	PY1
	TN2150		6" to 12"	PY2
	TN2300			Not compatible
	TN2400			PY2
	TN2270			
	PN3000 Sprg Ext	LE, LEA and Steri-trol	½" to 4"	PY1
	PN4000 Sprg Ret			
	PN5000	KE, KEA, LE and LEA	½" to 4"	PY1 + UBC
	PN6000			
	Left side	PN9100	Spira-trol™ two port and QL three port	½" to 2"
PN9200		½" to 4"		
PN9300		6" to 12"		UY1
PN9400				
TN2030		Spira-trol™ two port and QL three port	½" to 4"	Not compatible
TN2150			6" to 12"	UY1
TN2300				Not compatible
TN2400				UY1
TN2270				
PN3000 Sprg Ext		LE, LEA and Steri-trol	½" to 4"	UY3
PN4000 Sprg Ret				
PN5000		KE, KEA, LE and LEA	½" to 4"	UY3 + UBC
PN6000				
PN1600		'C' series	2½" to 4"	UY1
PN1600		'C' series	6" to 8"	UY2
PN1600		Spira-trol™	6" to 12"	

**Customer requirement example:**

1 off Pneumatic positioner for use with single acting PN9300 actuator, having 30 mm stroke.

**How to order**

**Example:** 1 off Spirax Sarco PP6SL1-A Pneumatic-Pneumatic Positioner + PY1 mounting kit.

**Caution:** The PP6 positioner must have a high quality air supply to ISO 8573-1:2010 Class 3:3:3