

PN600 Series Pneumatic Controllers

Description

The PN600 series pneumatic controllers provide temperature or pressure control providing a 3 - 15 psi output signal with proportional (plus manual reset) or proportional plus integral control action. An optional stainless steel pocket type W30S is available for use with temperature sensors.

The range of pneumatic controllers can be used in conjunction with PN5000 and PN6000 series linear actuators and PP4 pneumatic positioners.

Available Types

Temperature control

Model	Control function	Scale range
662-T5-M5*	Proportional (+ Manual reset)	212°F
662-T5-M5	Proportional (+ Manual reset)	122 - 302°F
662-T5-M5*	Proportional (+ Manual reset)	77 - 257°F
662-T5SY-M5	Proportional (+ Manual reset)	77 - 257°F
663-T5-M5*	Proportional + Integral	212°F
663-T5-M5	Proportional + Integral	122 - 302°F
663-T5-M5*	Proportional + Integral	77 - 257°F
663-T5SY-M5	Proportional + Integral	77 - 257°F

T5 = Nitrogen filled sensing bulb and capillary

SY = Sensing bulb for sterile applications

M5 = 5 metres capillary tube (* Option of 10 metres - Suffix 'M10')

Pressure Control

622	Proportional (+ Manual reset)	0 - 102 psi
622	Proportional (+ Manual reset)	0 - 290 psi
623	Proportional + Integral	0 - 102 psi
623	Proportional + Integral	0 - 290 psi

Other options available include:-

Pneumatic receiver for 3 to 15 psi g input signal.

Electromechanical receiver for 4-20 mA, 0-10 Vdc, RTD Pt100 or thermocouple input signal.

Other scale ranges available:-

Pressure (psi)	Scale span options up to 7,250 psi
Temperature (°F)	Scale span options for:- 122, 167, 212, 302, 392, 572 and 752°F

Measuring elements

Pressure

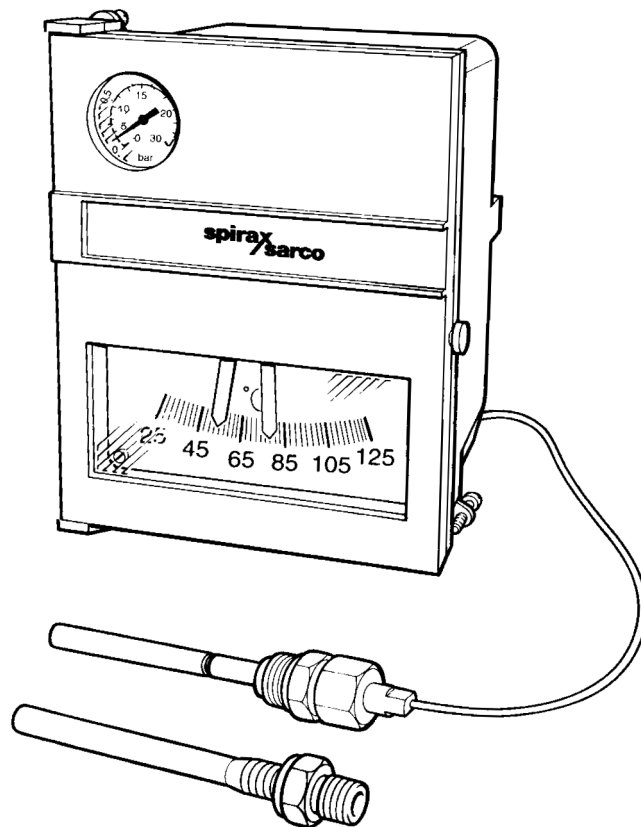
Bourdon tube	AISI 316L stainless steel
Connection	NPT
Maximum pressure	+25% of scale range

Temperature

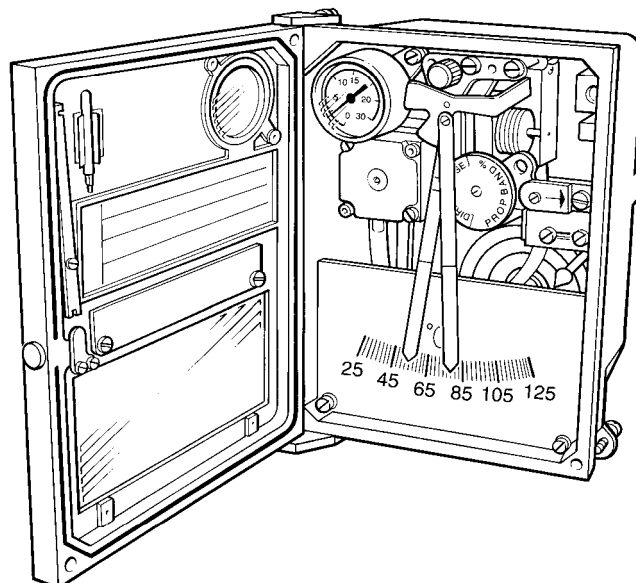
Bulb and capillary	AISI 316L stainless steel - Cylindrical bulb for liquids - Sanitary bulb for sterile applications (Option available with spiral bulb for air /gas)
Bulb connection	NPT
Capillary length	16.5 ft 32 ft (in some ranges) (Other options available)
Max. measured temperature	+25% of scale range

Pocket - Type W30S (optional)

Material	AISI 316L	Stainless steel
Connection	NPT	
Maximum pressure	PN40	



Optional pocket type W30S



Local regulation may restrict the use of this product below the conditions quoted. Limiting conditions refer to standard connections only. In the interests of development and improvement of the product, we reserve the right to change the specification.

TI-P320-47-US 1.14

PN600 Series Pneumatic Controllers

Technical data

Controller

Enclosure rating	IP54 (Standard) IP55 (Optional)
Scale length	100mm
Pointers	Measured value - black Set point - red
Gauges	Output signal pressure (bar/psi g)
Control mode	Proportional (5-200% of scale range) Integral (0.1 to 20 repeats per minute)
Output signal	2.9 - 14.5 psi
Control action	Direct or reverse action - Field reversible
Set point adjustment	Manual adjustment
Accuracy	1% of range span
Sensitivity	0.2% of range span
Repeatability	0.5% of range span
Linearity	0.5% of range span
Air supply	20.3 psi
Air consumption	.4 scfm (average)
Air connections	1/4 " NPT
Ambient temperature limits	5°F to 149°F
Mounting	Wall or flush panel mounted
Weight	7.7 lbs

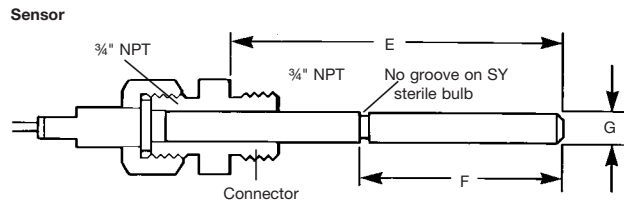
Dimensions inches (millimeters)

Controller			
A	B	C	D
7.8 (202)	5.7 (144)	5.3 (136)	.67 (17)

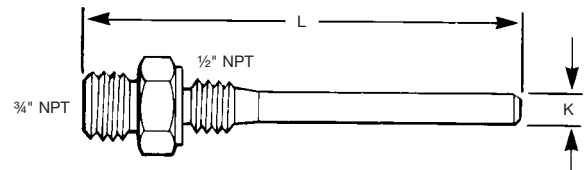
Temperature Sensing Bulb		
E	F	G
4.7 (200)	4.7 (120)	.5 (13)

Panel Mounting Cut Out	
H	J
5.5 (138)	7.4 (188)

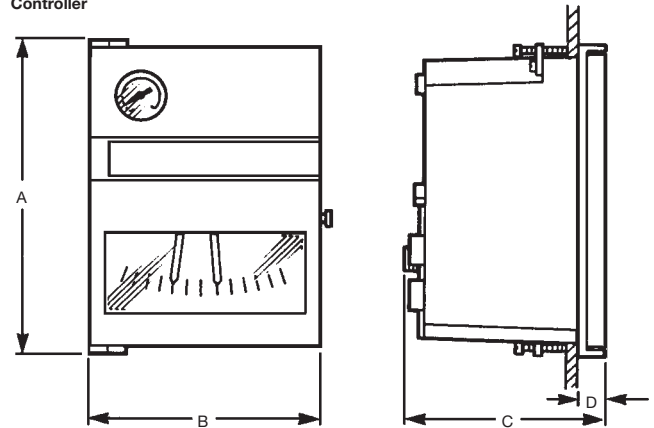
Pocket	
K	L
0.6 (16)	8.2 (210)



Pocket (optional replacing standard connector)



Controller



Panel cut-out

