

# spirax sarco

## Mod. 2000 Self Drainage Unit For Float & Thermostatic Trap to prevent freeze up

Steam Traps  
Float & Thermostatic

The drainage device is to be used on the bottom drain connection on F&T steam traps or drain traps in outdoor installations where freezing may occur. When the pressure drops below 3 psig the device opens to completely drain the trap body. The unit will close at pressures above 3 psig.

Model	Mod.2000
PMO	464 psig (32 barg)
Size	3/8"
Connections	NPT
Construction	Tamperproof stainless steel

### Construction Materials

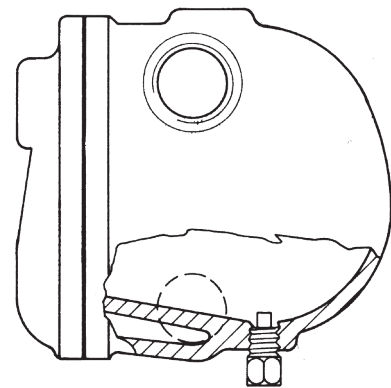
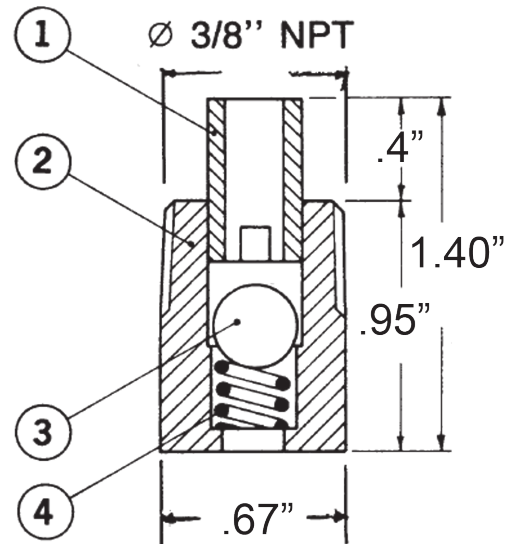
No.	Part	Material
1	Sleeve	Stainless Steel
2	Body with integral seat	
3	Ball valve	
4	Spring	

### Pressure Shell Design Conditions

Max Allowable Pressure (PMA)	464 psig (32 barg)
Max Allowable Temperature (TMA)	482°F (250°C)
Max Operating Pressure (PMO)	464 psig (32 barg)
Max Operating Temperature (TMO)	482°F (250°C)
Minimum Closer Pressure	3.6 psig (.25 barg)
Opening pressure	3 psig (0.2 barg)

### Installation

Thread the Mod. 2000 into the drain connection on the bottom of the F&T trap. Most, but not all, have 3/8" connections. Bush down to 3/8" NPT if connection on the trap is larger. This device will automatically open and drain when the steam trap pressure drops below 3 psig; so, it should not drain in an area where it could dump hot condensate onto personnel. If the trap is where drainage may cause a danger, an open funnel drain with a 1" air gap should be placed under the Mod.2000 to drain condensate to a safe place. Reference IM-2-323-US.



Float & Thermostatic style steam trap with Mod. 2000 drainage device