

# spirax/sarco®

## Industrial Condensate Recovery Modules MVD Series

### Description

The Modular pumping system consists of a Pressure Powered Pump pre-engineered with the necessary auxiliary components into a skid-mounted module.

The unit includes a receiver vessel designed to provide adequate separation of flash steam and condensate.

The module requires only service field connections for complete installation and fast startup.

### Typical applications

Condensate recovery modules are used where multiple sources of condensate are to be pumped and flash steam is to be vented (open system).

For Closed systems: Consult ESD

### Standard Features

- Spirax Sarco non-electric steel Pressure Powered Pump with high capacity stainless steel check valves.
- Steel tubular level gauge assembly on pump.
- Spirax Sarco high volume steel strainers.
- Line size inlet and outlet pump isolation valves, equalization line and pump drain isolation valves.
- Motive steam drip station with Spirax Sarco UTD 52L trap and isolation valves.
- Hydrotested, blasted, and coated with SSI industrial blue enamel
- Fabricated in accordance with ANSI/ASME B31.3 by ASME Section IX certified welders.
- ASME Section VIII Code Stamped receiver vessel.
- Completely assembled modular pumping system on structural steel base with all connections protected for shipping.

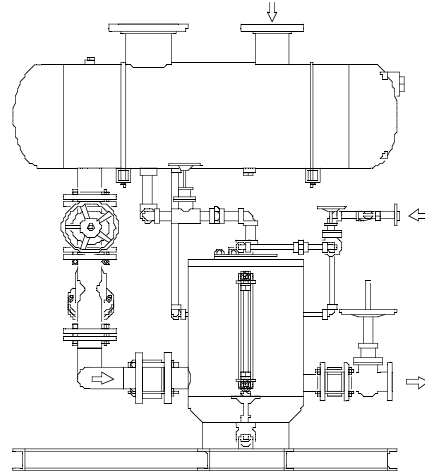
**Additional Options are available**

### Suggested Specification

- Furnish and install where shown on plans, Spirax Sarco Inc. Model MVD\_\_\_\_\_ Pressure powered pumping system.
- The system shall be a complete pre-piped factory package requiring only service connections for a fully functional system.
- Electricity shall not be required for system operation
- The Steel receiver shall be ASME Constructed and stamped for 150 PSIG WP.
- The Pumps shall be constructed of Cast Steel or Fabricated Steel.
- All condensate piping shall be schedule 80 Seamless C/S pipe welded
- No threaded connections on the package piping are permitted.
- The package shall be sized to meet (or exceed) the actual required condensate system load.
- The package shall include a structural steel skid and painted with 1 coat Industrial blue enamel.

### Capacity Chart

For sizing data, see Selection & Capacity Chart.



### Typical Construction

Model	MVD- Series
Receiver Vessel	ASME Constructed and Stamped 150 psig @ 550°F
Hydrotest Pressure	225 psig
Construction Materials	Receiver vessel - Fabricated Steel Pressure Powered Pump – See SSI Tech Sheets Check Valves - Stainless Steel (ANSI 150) Isolation valves - Carbon Steel Piping - A106 Seamless Carbon Steel
Dimensions & Weight	See SSI Sales Drawings

<b>spirax/sarco®</b>	
<b>Approved for construction when signed and dated below:</b>	
Model:	MVD-
Project/P.O. No.:	
Customer:	
Approved:	Date:

*Local regulations may restrict the use of this product below the conditions quoted. Limiting conditions refer to standard connections only. In the interests of development and improvement of the product, we reserve the right to change the specification.*