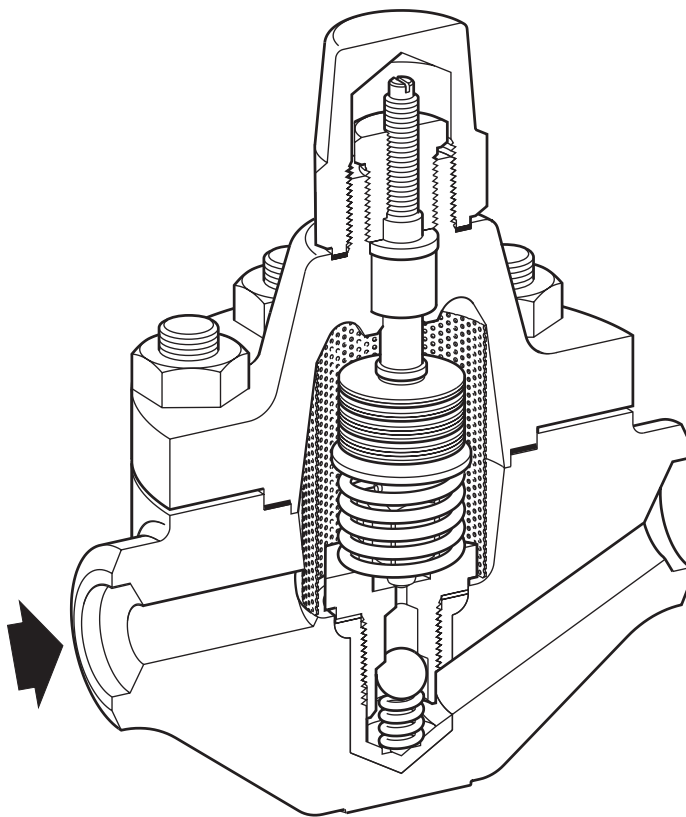




HP70 Series Bimetallic Steam Trap



Description

The Spirax Sarco HP70 bimetallic steam trap is made of a forged alloy steel, and designed for draining high pressure, high temperature steam lines and processes. This steam trap, which is specially designed for HP steam, has a reinforced stainless steel insert within the body and can be repaired inline. It operates with no loss of steam, and quickly drain air, non-condensable gases and large quantities of cold water on start-up.

Normally open in the event of failure, it has a check valve, a built-in strainer screen and an external device for adjusting the discharge temperature of the condensate.

Standards

This product fully complies with the requirements of the Pressure Equipment Directive (PED).

Certification

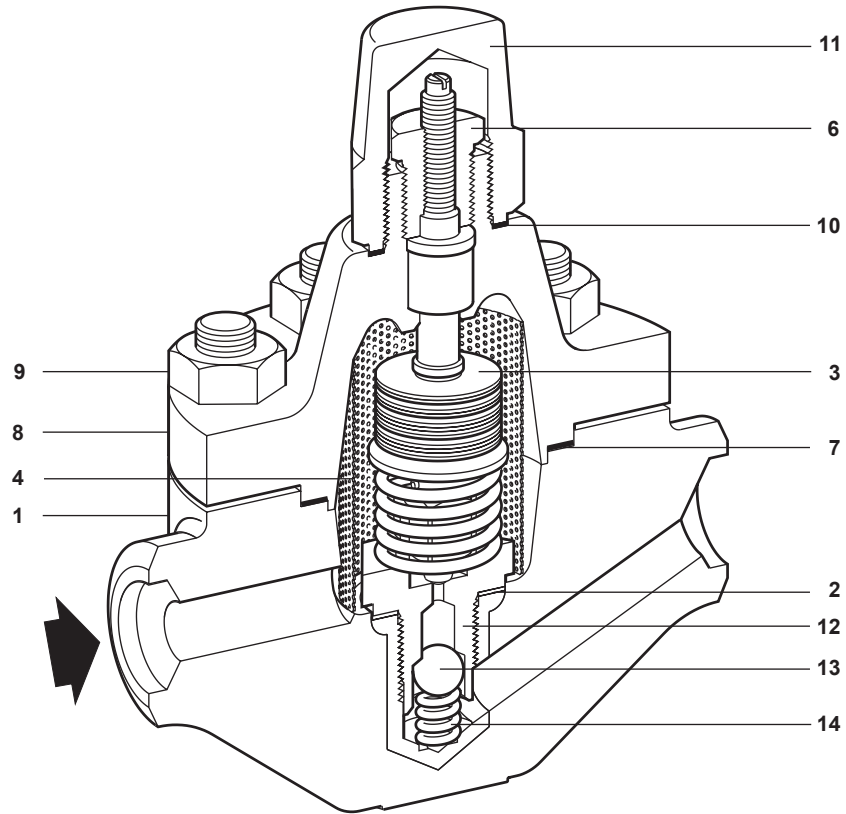
This product is available with certification to EN 10204 3.1

Note: All certification/inspection requirements must be stated at the time of order placement.

Sizes and pipe connections

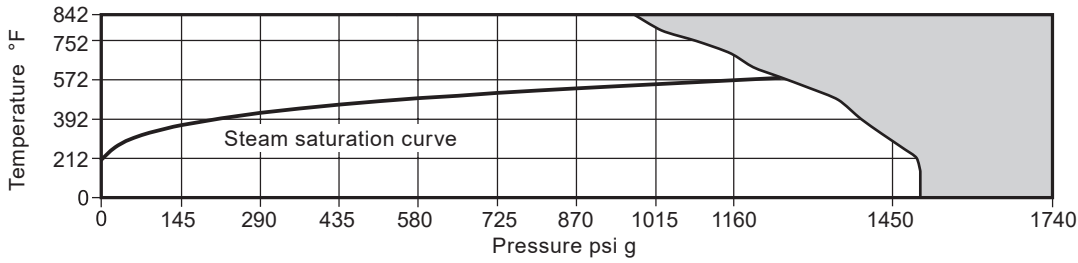
½", ¾" and 1" Socket weld to ASME B 16.11 or Butt weld to ASME B 16.25.

Materials



No.	Part	Material	
1	Body	Alloy steel	Class 600 to ASTM A182 F11
2	Valve seat gasket	Stainless steel	
3	Bimetallic element	Stainless steel	
4	Strainer screen	Stainless steel	AISI 304L
5	Gland packing	Graphite (asbestos-free)	
6	Locking gland nut	Stainless steel	
7	Cover gasket	Spiral wound stainless steel and graphite (asbestos-free)	
8	Cover	Alloy steel	ASTM A182 F11
9	Cover stud	Steel	ASTM A193 Gr. B7
	Cover nut	Steel	ASTM A194 Gr. 2H
10	Blind nut gasket	Metal, stainless steel/graphite	
11	Blind nut	Steel	
12	Valve seat	Stainless steel	
13	Check valve	Stainless steel	
14	Check valve spring	Stainless steel	

Pressure/temperature limits

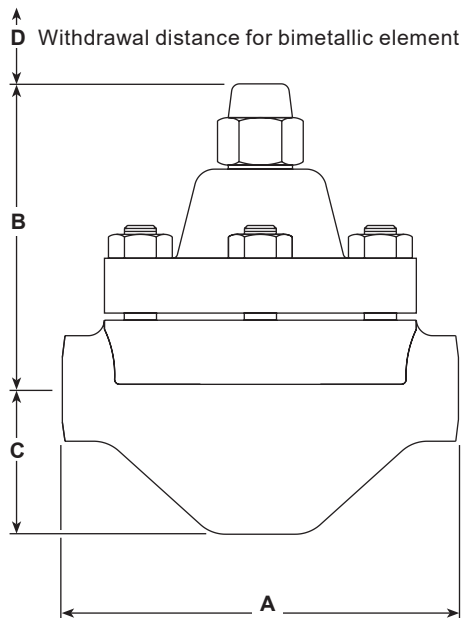


The product **must not** be used in this region.

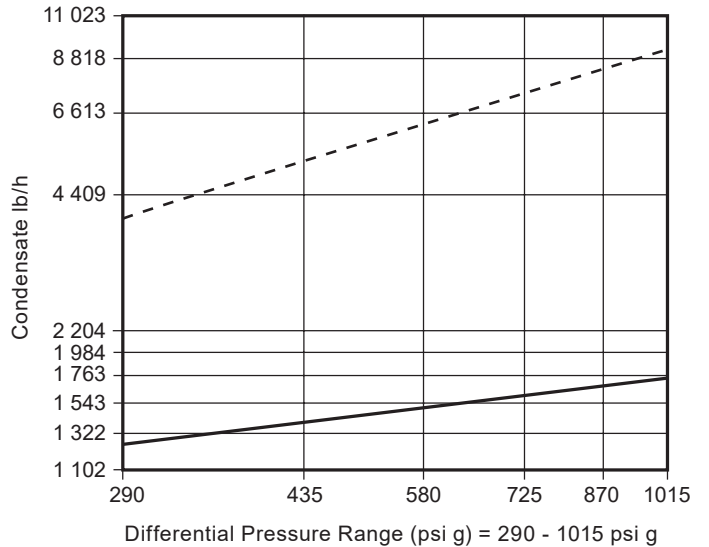
Body design condition	ASTM A182 F11
PMA maximum allowable pressure	1500 psi g @ 122 °F
TMA maximum allowable temperature	842 °F @ 982 psi g
PMO maximum operating pressure	1015 psi g @ 797 °F
TMO maximum operating temperature	797 °F @ 1015 psi g
Minimum allowable temperature	6.8 °F
Minimum inlet pressure for satisfactory operation is:	290 psi g
Minimum operating temperature	32 °F
ΔPMX The backpressure for correct operation must not exceed 90% of the upstream pressure	
Designed for a maximum cold hydraulic test pressure of:	2262 psi g

Dimensions/weights (approximately) in inches and lbs

A	B	C	D	Weight
6.3	5.7	2.3	5.9	23.1



Capacities



Hot water capacity ——— Cold water capacity - - - - -

Safety information, installation and maintenance

For full details see the Installation and Maintenance Instructions supplied with the product.

How to order

Example: 1 off Spirax Sarco ½" HP70 bimetallic steam trap with socket weld end connections.

Spare parts

The spare parts available are detailed below. No other parts are supplied as spares.

Available spares

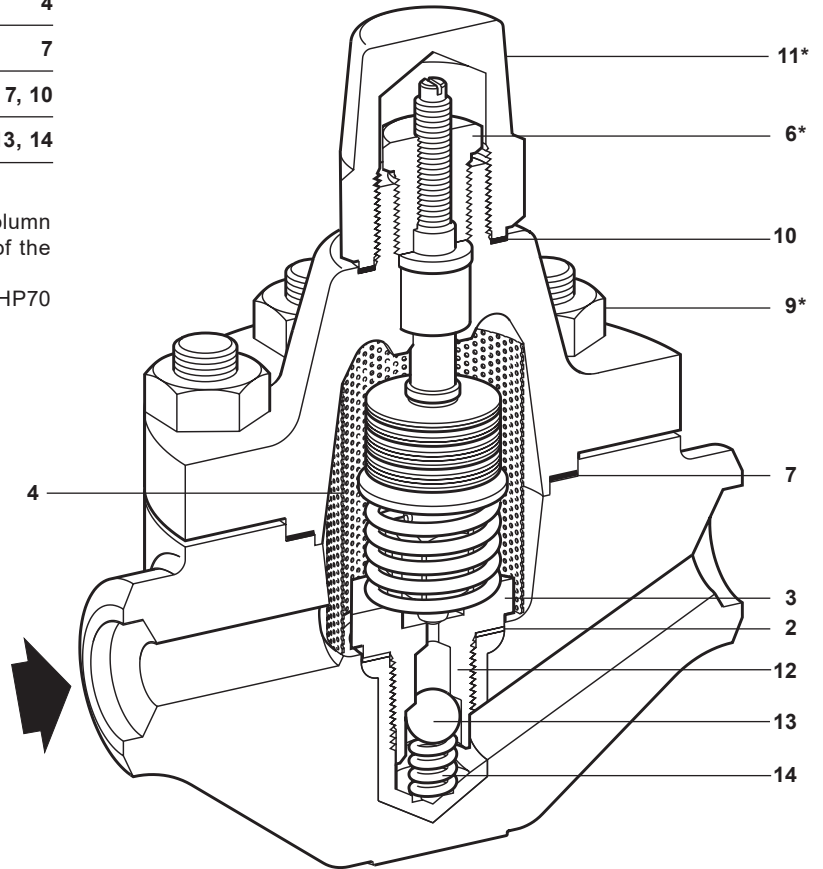
Bimetallic assembly kit	2, 3, 4, 7, 10, 12
Strainer screen	4
Cover gasket set (packet of 3)	7
Gasket set	2, 7, 10
Check valve assembly	13, 14

How to order spares



Always order spares by using the description given in the column headed 'Available spares' and state the size and model of the bimetallic steam trap.

Example: 1 - Bimetallic assembly kit for a Spirax Sarco 1" HP70 bimetallic steam trap.

* **Note:** Items 6, 9 and 11 are not available as spares



Recommended tightening torques

Item	 or  mm	N m
3	36 A/F	120
6	21 A/F	38
9	24 A/F	105
11	41 A/F	80