

spirax sarco

Cast Steel Float & Thermostatic Steam Trap 3" (DN80) and 4" (DN100) FT450

The trap contains a float valve mechanism which modulates to discharge condensate continuously at steam temperature, while non-condensable gases are released by a separate internal thermostatic air vent.

Model	FT450	
PMO	450 psig (31 barg)	
Sizes	3" (DN80)	4" (DN100)
Connections	NPT, SW, Flanged	Flanged
Construction	Carbon Steel Body Stainless Steel Internals	

Typical Applications

- Reboilers, heat exchangers and other large process equipment
- Large absorption chillers
- In combination with the Spirax Sarco 4" (DN100) Pressure Powered Pump™

Compliance

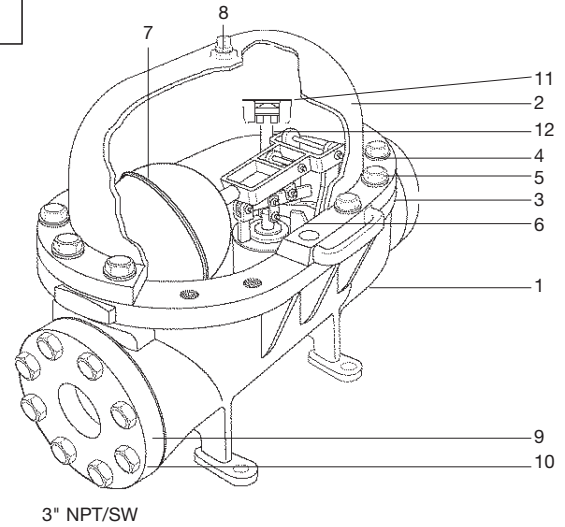
This product fully complies with the requirements of the European Pressure Equipment Directive 2014/68/EU, and carries the CE mark when so required.

Certification

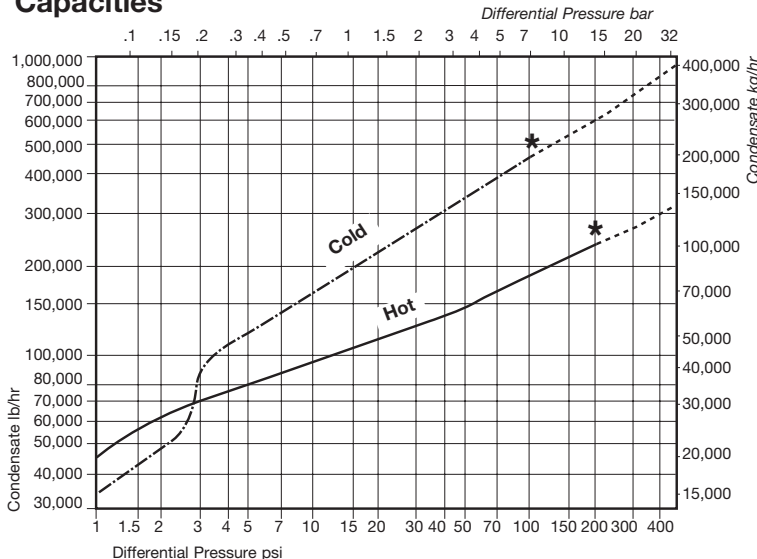
This product is available with certification to EN 10204 3.1. Designed in accordance with ASME VIII Div 1. **Note:** All certification/inspection requirements must be stated at the time of order placement.

Construction Materials

No.	Part	Material
1	Body	Cast Carbon Steel ASTM A216 WCB
2	Cover	Cast Carbon Steel ASTM A216 WCB
3	Cover Gasket	Graphite with SS insert
4	Cover Bolts	Alloy Steel ASTM A193 GR B7
5	Lockwashers	Steel
6	Main Valve Assembly	Stainless Steel
	Valve Mech. Gasket	Graphite
	Valve Mech. Screws	Stainless Steel
7	Float	Stainless Steel ASTM A240 Type 304
8	Cover Plug (3/4" NPT)	Steel
	Drain Plug (3/4" NPT)	Steel
9	Companion Flange	Forged Steel
10	Flange Bolts	Alloy Steel ASTM A193 GR B7
11	Air Vent Assembly	Stainless Steel
	Air Vent Head	Stainless Steel
	Air Vent Seal	Stainless Steel
11A	Air Vent	Stainless Steel & Bimetal RAU Type RR
12	Air Vent Pipe	Stainless Steel



Capacities



* In this region the trap capacity may exceed the flow capacity of the connection piping.

Local regulation may restrict the use of this product below the conditions quoted. Limiting conditions refer to standard connections only.

In the interests of development and improvement of the product, we reserve the right to change the specification.

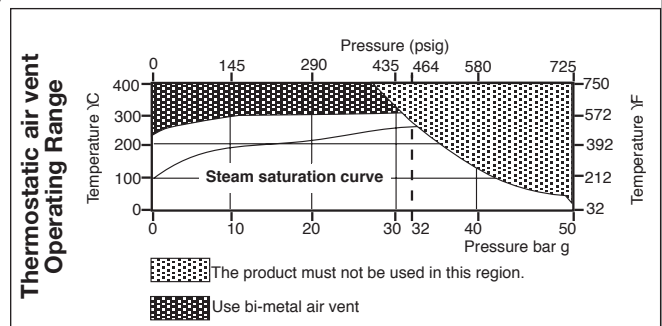
Limiting Operating Conditions

Max. Operating Pressure 450 psig (31 barg)

Max. Operating Temperature Optional Bimetal

650°F (343°C) at 450 psig (31 barg)

750°F (400°C) at operating pressures below 375 psig (26 barg)



Pressure Shell Design Conditions

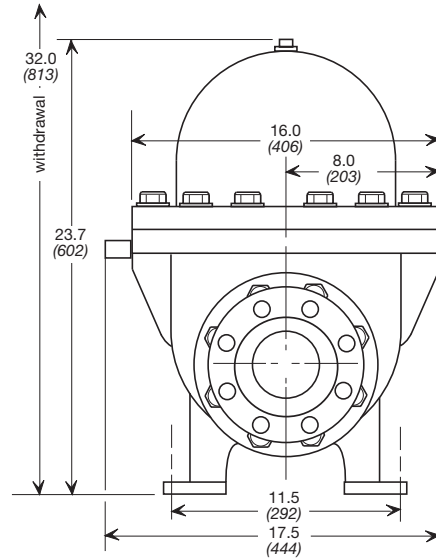
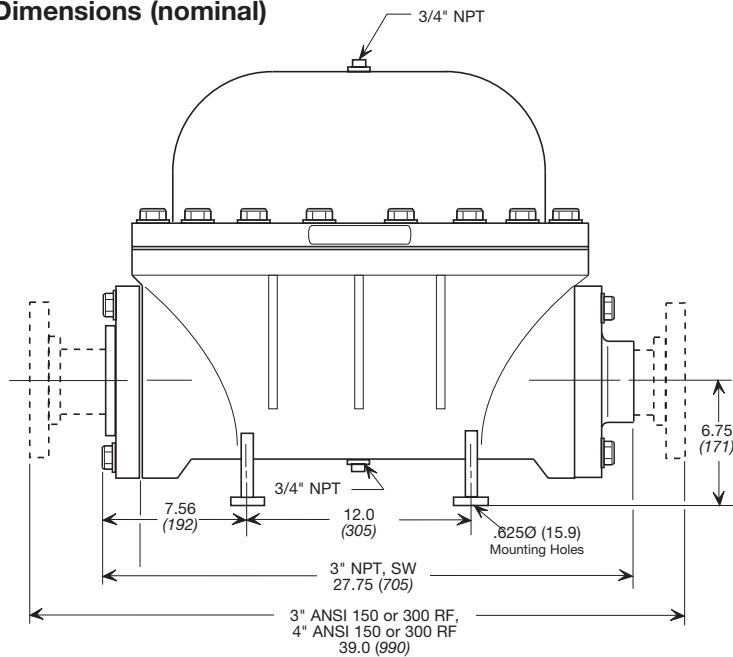
PMA 450 psig/up to 650°F (31 barg/up to 343°C)
 Max. allowable pressure 425 psig/700°F (29 barg/371°C)
 375 psig/750°F (26 barg/400°C)

TMA

Max. allowable temperature 750°F/0-375 psig (400°C/0-26 barg)

Cast Steel Float & Thermostatic Steam Trap 3" (DN80) and 4" (DN100) FT450

Dimensions (nominal)



Weight 485 lb (220 kg)

Sample Specification

Steam traps shall be of the mechanical ball float type having cast steel bodies with stainless steel internal parts. The piping connections shall be horizontal in-line, and the body shall incorporate mounting legs with drilled pads. The traps shall have an integral thermostatic air vent. The trap body shall be horizontally split and all internal parts shall be completely serviceable without disturbing the inlet and outlet piping.

Installation

The trap should be located below and close to the equipment drain point. A pipe-line strainer should be installed ahead of the trap, and full port isolating valves should be placed to permit servicing. The mounting legs should be bolted to a firm horizontal support. Access above the trap must be provided for servicing. Complete installation instructions are given in IMI 2.3041.

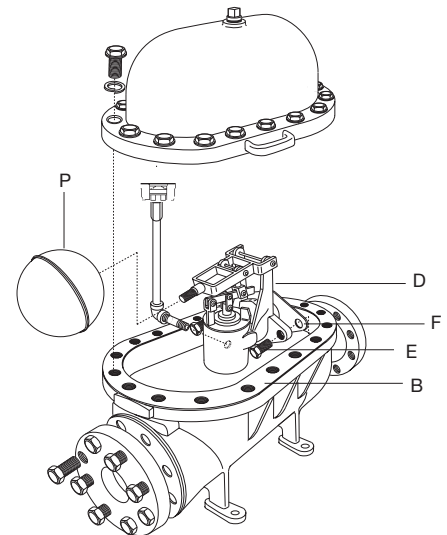
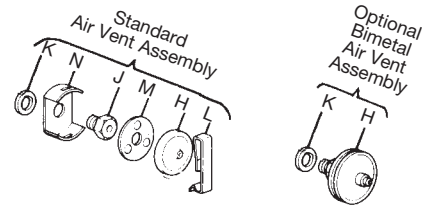
Maintenance

This product can be maintained without disturbing the piping connections. Complete isolation from both supply and return line is required before any servicing is performed.

The trap should be disassembled periodically for inspection and cleaning of the valve mechanism and air vent.

Complete installation and maintenance instructions are given in IMI 2.3041, which accompanies the product.

Spare Parts



Valve Mechanism Kit	D, E, F
Gasket Kit (pkt of 3 each)	B, K
Air Vent Kit Standard	N, J, M, H, L, K
Air Vent Kit Optional	K, H
Float Kit	P

TI-2-3041-US 10.16