



DAC Series Steam Desuperheater

Description

Spirax Sarco by Hiter DAC Series is a compact desuperheater designed to work with low spray water flows in small diameter steam pipelines. The venturi type flow orifice provides an excellent steam desuperheating efficiency.

Technical Data

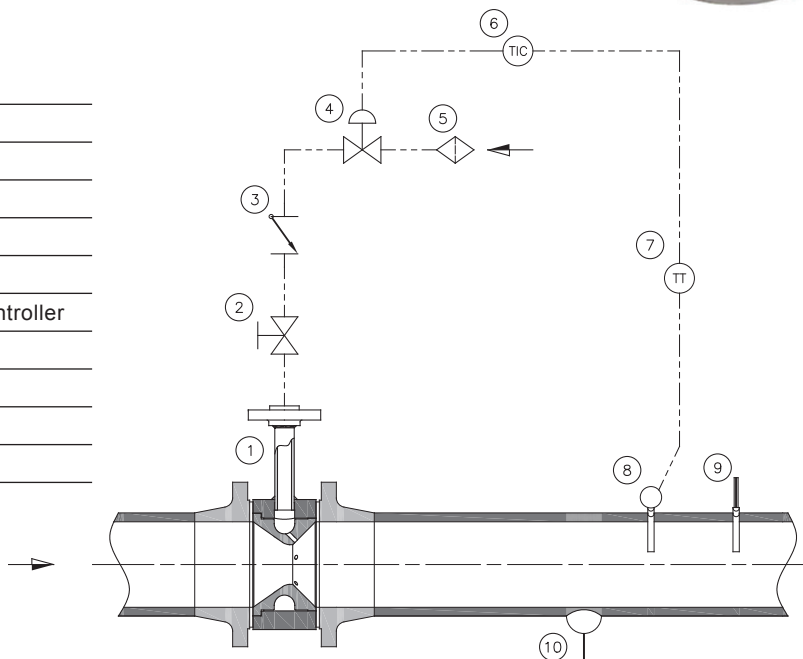
Diameters	1" to 12". For installation between ASME class 150, 300, 600, 900 or 1500 RF or RTJ flanges - SCH 40, 80 or 120.
Body Material	ASTM A 216 Gr. WCB carbon steel or ASTM A 217 Gr. WC9 alloy steel. Other materials available on request.
Venturi Material	410 stainless steel hardened or Cr-Mo alloy steel nitrided. Other materials available on request.
Water Flange Sizes	1/2", 3/4", 1" and 1-1/2", Larger size options upon consult. ASME classes 150, 300, 600, 900 or 1500.
Water Flange Material	ASTM A 105 carbon steel or ASTM A 182 Gr. F22 alloy steel
Flow Coefficient - C_v	0.03 to 5.6.
Differential Pressure Between Water and Steam	350 to 2500 kPa (50 to 360 psi).

- (1) For larger diameters, consult Spirax Sarco by Hiter.
- (2) Water or condensate.
- (3) For smaller pressure differential, consult Spirax Sarco by Hiter.



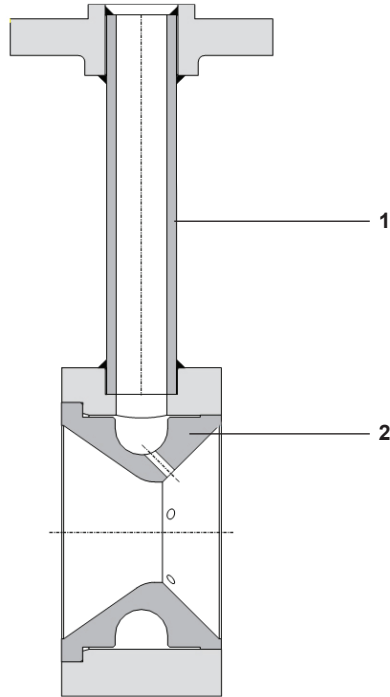
Typical Installation

1	DAC Desuperheater
2	Manual Block Valve
3	Check Valve
4	Temperature Control Valve
5	Strainer
6	Temperatura Indicator and Controller
7	Temperature Transmitter
8	Temperature Sensor
9	Thermometer
10	Drain



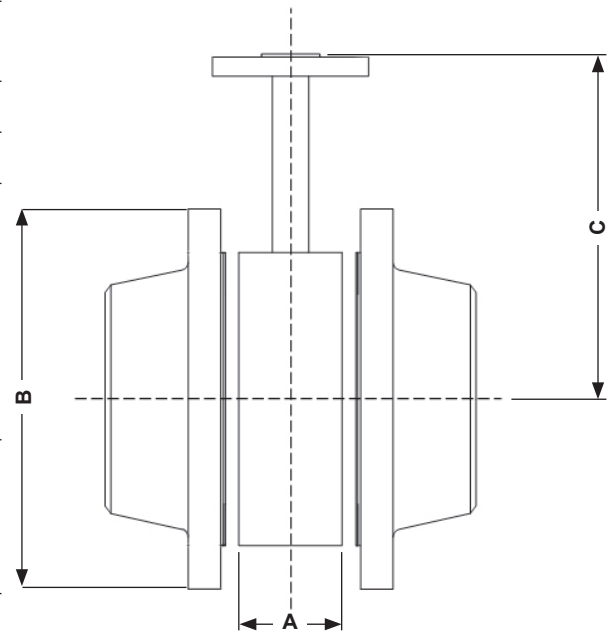
List of Components

No.	Part
1	Body
2	Venturi



Dimensions (approximate) in inches

Nominal Pipe Size (in.)	A	B	Water Connection Class (in.)		
			150 to 600	900	1500
			C		
1"	3.0	2.0	10.0	10.0	10.0
1.1/2"		2.9			
2"		3.7			
3"		5.0			
4"		6.2			
6"	8.5	16.0	16.0	16.0	
8"	10.7				
10"	12.8				
12"	6.0	15.0			20.0



How to Order

Example: 3" Hiter DAC Series, WCB carbon steel and 410 stainless steel.