

spirax sarco

B Series 1/2" to 2" 2-Way and 3-Way Bronze Control Valves

Description

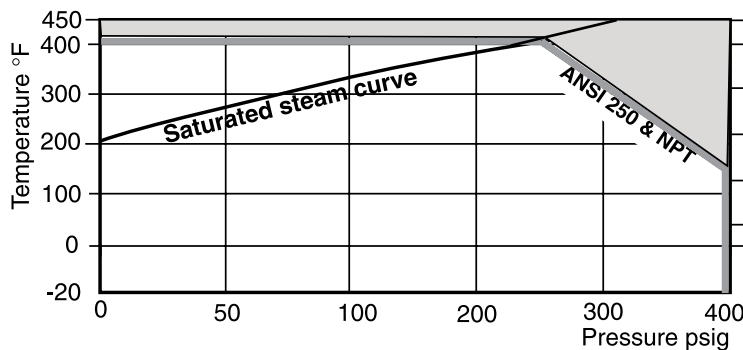
The B Series is a light-industrial bronze control valve range for pressure, flow and temperature control of steam, gases and liquids. Available in 2-Way and 3-Way body configurations for modulating control with PM Series pneumatic actuators or Belimo NV or AF Series electric actuators. For enhanced control, any of the extensive range of Spirax Sarco positioners may be fitted to pneumatic actuators.


Technical Specifications

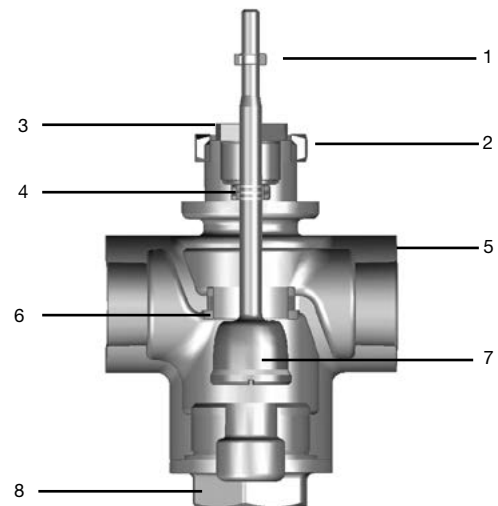
Body sizes	1/2", 3/4", 1", 1-1/4", 1-1/2", 2"	
Body material	ASTM B62	
Connection	Screwed NPT	
Body rating	400 psig @150°F / 250 psig @ 400°F (ASME B16. 15 Class 250)	
Characteristic	2-Way: Equal Percentage or Linear	3-Way: Linear
Rangeability	50:1	
Temperature range	-20° to 400°F	
Leakage Rate	Metal Seating (2 Way and 3 Way Valves)	ANSI/FCI 70-2, Class IV
	PTFE Soft seating (2 Way, Equal Percentage only)	ANSI/FCI 70-2, Class VI



Operating Range



 Product not to be used in this region.

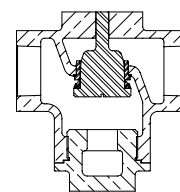


Materials

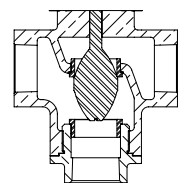
No.	Part	Material	
1	Locknut	Stainless Steel	
2	Bonnet Nut	Steel	
3	Gland Nut	Brass	ASTM B16
4*	Stem Seal	PTFE/EPDM	
5	Body	Cast Bronze	ASTM B62
6	Seat	Stainless Steel	ASTM A561 303
7*	Head and Stem	Stainless Steel	ASTM A561 303
8	Plug	Cast Bronze	ASTM B62

Spare Parts

Available spare parts are indicated by * in materials list above.



Detail of Soft Seal Option



Detail of 3-Way Option

Local regulation may restrict the use of this product below the conditions quoted. Limiting conditions refer to standard connections only. In the interests of development and improvement of the product, we reserve the right to change the specification.

TI-1-620-US 8.19

B Series 1/2" to 2"

2-Way and 3-Way Bronze Control Valves

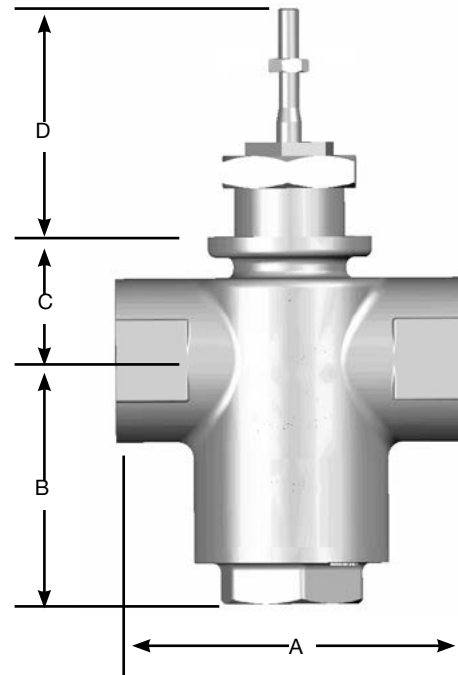
Control Valve Cv Values											
1/2"		3/4"		1"		1 1/4"		1 1/2"		2"	
CV 6	CV 3.5	CV 8	CV 6	CV 13	CV 8	CV 20	CV 13	CV 28	CV 20	CV 50	CV 28

Dimensions and Weights (inches and pounds)

Size	A End to End	B Bottom to Centerline	C Centerline to Actuator Shoulder	D Actuator Shoulder to end of stem (closed position)	Weight
1/2"	3.5	2.5	1.4	90	4
3/4"	3.5	2.5	1.4	90	4
1"	4.25	3	1.5	90	4.8
1-1/4"	5.3	3.8	2.0	90	10
1-1/2"	5.3	3.8	2.0	90	10
2"	6.6	4.5	2.3	90	17

Control Valve Selection Guide

Valve Size	1/2", 3/4", 1", 1-1/4", 1-1/2", 2"	2"
Valve Series	B Series	B
Valve Characteristic	L = Linear E = Equal percentage M = Mixing linear (3-way)	E
Design standards	A= ANSI/ASTM specifications	A
Body Material	5 = Bronze	5
Connections	1 = Threaded NPT	1
Seating option	G = Soft seal (PTFE) (Equal Percentage Only)	
C_v	To be specified	50
Connection Type	To be specified	NPT



How To Order

Example: 1 x 2" BEA51 C_v 50 NPT. Control Valve with PM720R actuator.