

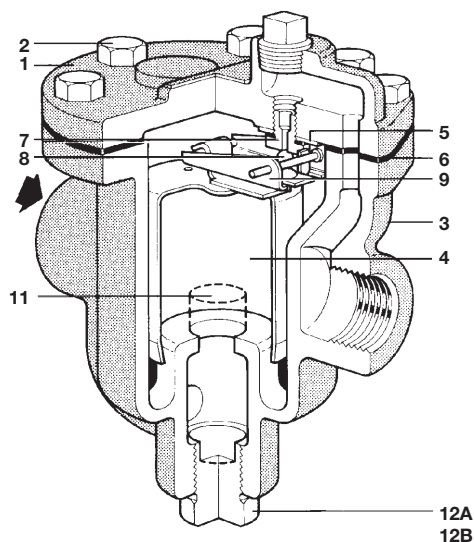


Cast Iron Inverted Bucket Steam Traps B Series

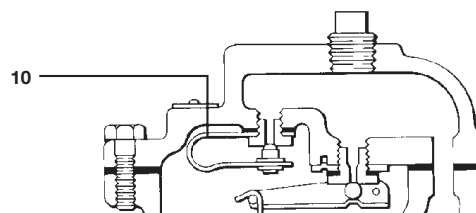
The trap contains an inverted bucket mechanism which responds to the difference in density between steam and condensate. The discharge action is cyclic. Condensate is discharged close to steam temperature.

Model	B1H	B2	B3	B4	B5
PMO	250 psig (see below)				
Sizes	1/2", 3/4"	3/4"	1"	1-1/4"	2"
Connections	NPT				
Construction	Cast Iron Body, Stainless Steel Mechanism				
Options	Stainless Steel Bucket				
	Bimetal air vent (add '2' to model No. eg. B12HS, B22S, etc.)				
	Integral strainer (add 'S' to model No. eg. B1HS, B2S, etc.)				
	(when bimetal is required, strainer becomes standard)				

Note: Top plug not provided on B1H-15, 30, 75, 125 B1H, B2, B5



FOR CAPACITIES – SEE TIS 2.408



Construction Materials

No.	Part	Material
1	Cover	Cast Iron ASTM A126 CL B
2	Cover Screws	Steel ASTM A 449
3	Body	Cast Iron ASTM A126 CL B
4	Bucket	Stainless Steel
5	Valve Guide Plate (Seat Bracket)	
6	Cover Gasket	Graphite
7	Valve Seat	Stainless Steel (hardened)
8	Valve Head (Ball)	Stainless Steel (hardened)
9	Valve Lever (Bucket Arm)	Stainless Steel
10	Air Vent (optional)	Stainless Steel
11	Strainer Screen (optional)	
	B1HS	Stainless Steel, 20 mesh
	B2S to B5S	Stainless Steel, 1/16" perf.
12 A	Cap on strainer models B1HS etc.	Brass Steel
12 B	Plug in standard model BIH, B2, B3, B4, B5	

Typical Applications

Steam main drip stations, laundry equipment, industrial dryers and storage tanks.

Optional Bimetal Air Vent

The optional bimetal air vent allows rapid air removal on cold start-up. The vent closes at approximately 200°F, and will remain closed during normal operation of the trap.

Limiting Operating Conditions

Max. Operating Pressure (PMO)	15 psig (1 barg)	125 psig (9 barg)
	30 psig (2 barg)	180 psig (12 barg)
	75 psig (5 barg)	250 psig (17 barg)

(Determined by Orifice selected. See Capacity and Selection Data on TIS 2.408)

Max. Operating Temperature 450°F (232°C) at all operating pressures

Pressure Shell Design Conditions

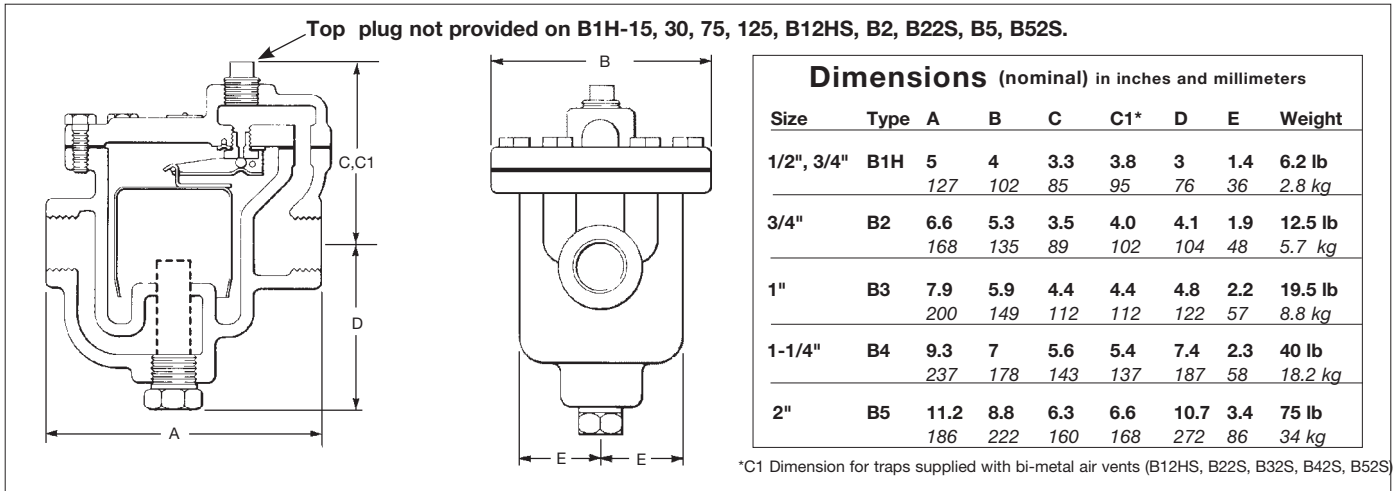
PMA Max. allowable pressure 250 psig/up to 450°F 17 barg/up to 232°C

TMA Max. allowable temperature 450°F/0-250 psig 232°C/0-17 barg

Local regulation may restrict the use of this product below the conditions quoted. Limiting conditions refer to standard connections only. In the interests of development and improvement of the product, we reserve the right to change the specification.

TI-2-407-US 2.14

Cast Iron Inverted Bucket Steam Traps B Series



Sample Specification

Steam traps shall be of the mechanical inverted bucket type with cast iron bodies, screwed NPT horizontal connections and stainless steel valve head, seat and bucket. An internal bi-metal air vent and/or strainer screen shall be available as options.

Installation

A pipeline strainer should be installed ahead of any trap to protect the head and seat from dirt and scale. Suitable full-port isolation valves should be placed around trap to permit servicing. The trap should be installed below the equipment drainage connection in a horizontal position so that the bucket will rise and fall vertically. For superheated steam applications, a check valve should be installed at the trap inlet.

Maintenance

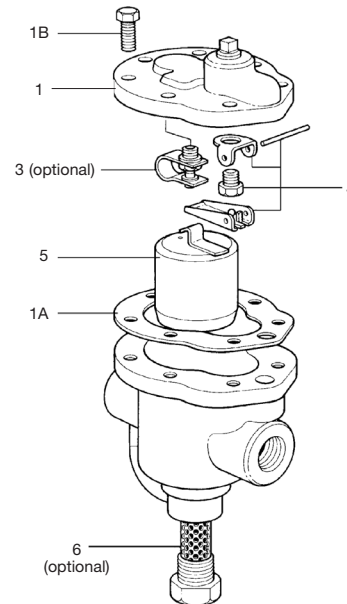
This product can be maintained without disturbing the piping connections. Complete isolation of the trap from both supply and return line is required before any servicing is performed.

The trap should be disassembled periodically for inspection and cleaning of the valve head and seat, and operating mechanism. The bucket vent hole must be clear. The optional strainer screen should be removed and cleaned.

Worn or damaged parts should be replaced using a complete mechanism assembly kit.

Complete installation and maintenance instructions are given in IMI 2.400, which accompanies the product.

Spare Parts



Cover, w/ Gasket Specify if standard or w/ bi-metal air vent	1, 1A
Cover Gasket (set of 3)	1A
Cover Cap Screws, Set	1B
Air Vent Assembly	3
Complete Mechanism (specify pressure range)	4
Bucket (Stainless Steel)	5
Strainer (Stainless Steel)	6