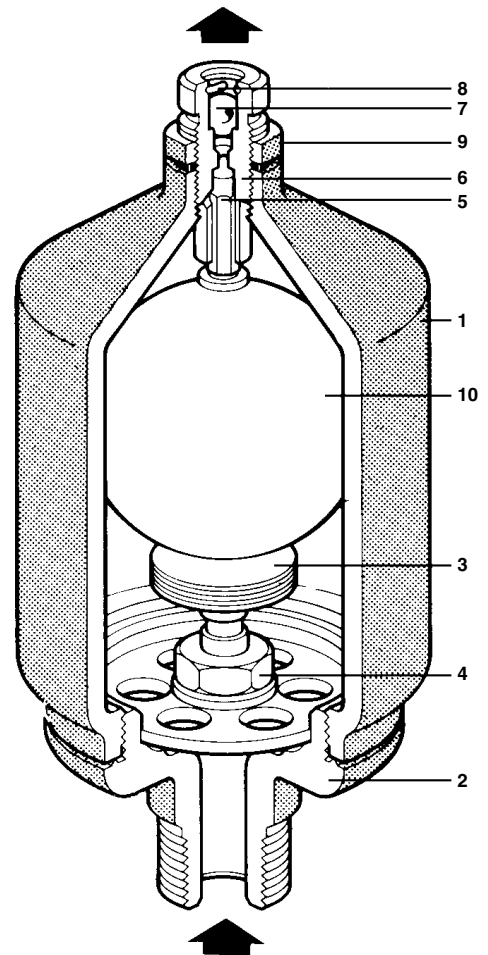


spirax/sarco®

Air Vent 6A

The 6A Air Vent has both a float and a thermostatic bellows for use where air, condensate and steam may be present (as in one pipe steam heating systems.) The 6A will discharge air, while preventing the escape of either condensate or steam. An outlet check valve prevents the re-entry of air.

Model ⇄	6A
PMO	15 psig
Sizes	3/4"
Connections	NPT
Construction	Cast Iron Body Stainless Steel Internals Nylon Check Valve



CONSTRUCTION MATERIALS

No.	Part	Material	
1	Body	Cast Iron	ASTM A126 CL B
2	Cap	Cast Iron	ASTM A126 CL B
3	Element	Stainless Steel	AISI 304 & AISI 316L
4	Element Holder	Stainless Steel	AISI 303
5	Valve Head	Stainless Steel	AISI 316
6	Valve Seat	Bronze	ASTM B21 Alloy 464
7	Ball Valve	Nylon	
8	Spring Clip	Stainless Steel	AISI 304
9	Sealing Nut	Steel	Chromated cadmium plated steel w/ Teflon seat
10	Float	Stainless Steel	AISI 304

LIMITING OPERATING CONDITIONS

Max. Operating Pressure (PMO) 15 psig (1 barg)

Max. Operating Temperature Saturated Steam Temperature

PRESSURE SHELL DESIGN CONDITIONS

PMA 125 psig/up to 450°F 9 barg/up to 232°C
Max. allowable pressure

TMA 450°F/0-125 psig 232°C/0-9 barg
Max. allowable temperature

TYPICAL APPLICATIONS

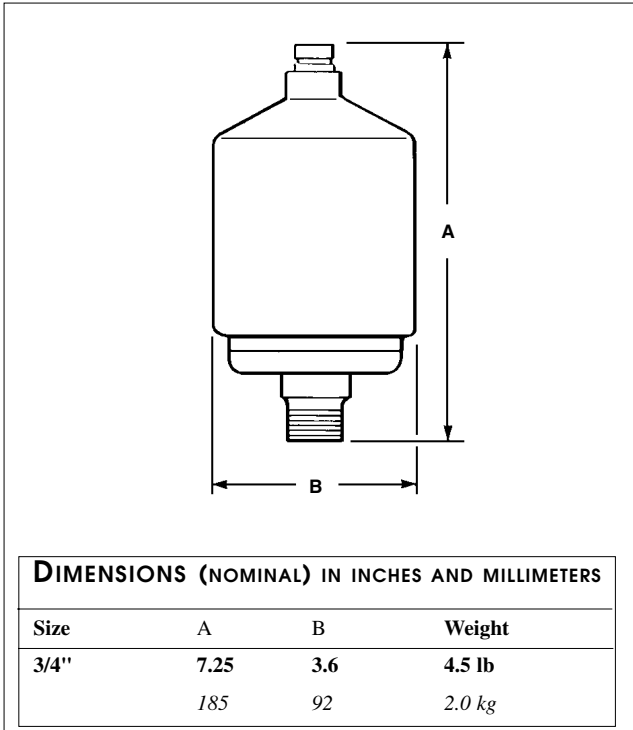
Venting air from one-pipe steam heating systems or other applications where air must be removed from a space containing both steam and condensate.

Air Vent 6A

AIR CAPACITY (discharge to atmosphere)

SCFM cubic feet per minute at standard conditions of 14.7 psia at 60°F. For dm³/s multiply by .4719.

	Inlet Pressure					
psi	2.5	5.0	7.5	10	12.5	15
bar	.17	.34	.52	.68	.86	1.0
Capacity	2.5	4.0	5.0	6.0	6.5	7.2



INSTALLATION

The air vent should be positioned with the inlet at the bottom at the highest point in the piping system or equipment where air collects. The valve will be closed when either condensate or steam enters the body. The discharge can be hot and wet, and the 6A should be positioned accordingly.

MAINTENANCE

This product can be maintained without disturbing the inlet piping connection. Complete isolation is required before any servicing is performed.

The air vent should be disassembled periodically for inspection and cleaning of the valve head and seat and operating mechanism. Worn or damaged parts should be replaced using a complete valve mechanism assembly and new cover gasket.

Complete installation and maintenance instructions are given in IMI 4.008, which accompanies the product.

SAMPLE SPECIFICATION

Air vents shall be self-adjusting balanced pressure thermostatic type with precision welded multiple plate stainless steel bellows and stainless steel float. Head and seat shall be stainless steel. Body and cap shall be cast iron and internals shall be renewable. The outlet shall incorporate a nylon-ball check valve.

