

spirax sarco

Accessories for the AEL5 Series of Electric Linear Actuators

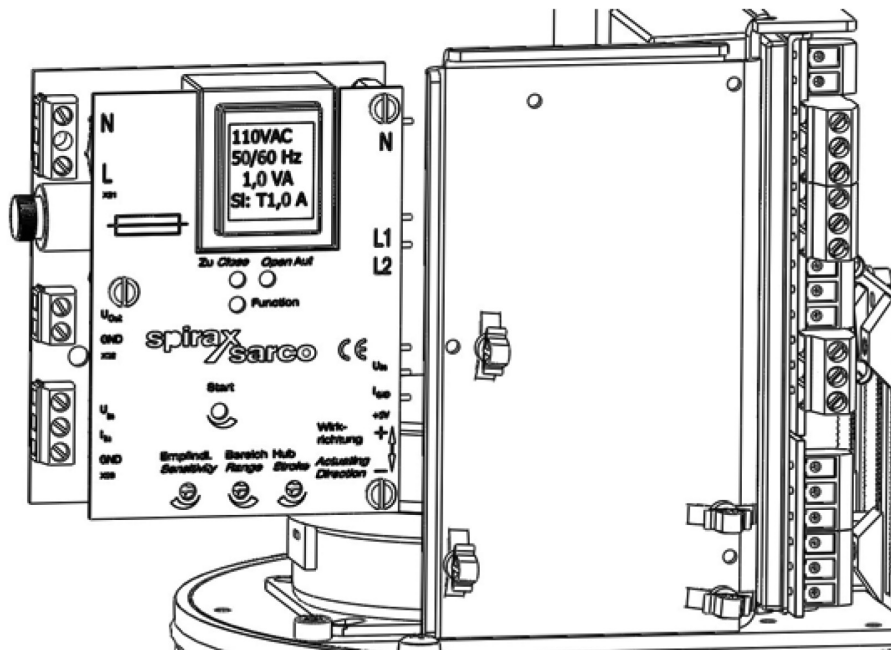
Available types and technical data

AEL5961	230 Vac positioner card	Power consumption 1 VA
AEL5962	115 Vac positioner card	Power consumption 1 VA
AEL5963	24Vac posit ioner card (except for AEL54213 _ , AEL55313 _ and AEL56413 _)	Power consumption 1 VA
AEL5964	24 Vac positioner card (for AEL54213 _ , AEL55313 _ and AEL56413 _ actuators only)	Power consumption 1 VA
AEL5951	2 auxiliary limit switches (Electronic card)	5 A - 230 Vac - including cams, mounting kit and PCB
AEL5952	Auxiliary feedback potentiometer	1000 ohms $\frac{3}{4}$ " to $1\frac{3}{16}$ " stroke, including mounting kit and pinion
AEL5952.1	Tandem feedback potentiometer	2 x 1000 ohms $\frac{3}{4}$ " to $1\frac{3}{16}$ " stroke, including mounting kit and pinion
AEL5952.2	Tandem feedback potentiometer	2 x 1000 ohms 1" maximum stroke, including mounting kit and pinion
AEL5952.3	Auxiliary feedback potentiometer	2000 ohms $\frac{3}{4}$ " to $1\frac{3}{16}$ " stroke, including mounting kit and pinion
AEL5952.4	Tandem feedback potentiometer	2 x 2000 ohms $\frac{3}{4}$ " to $1\frac{3}{16}$ " stroke, including mounting kit and pinion
AEL5952.5	Auxiliary feedback potentiometer	500 ohms $\frac{3}{4}$ " to $1\frac{3}{16}$ " stroke, including mounting kit and pinion
AEL5953	Tandem feedback potentiometer	2 x 1000 ohms $\frac{3}{4}$ " to $1\frac{3}{16}$ " and $1\frac{3}{16}$ " to 1" stroke, including mounting kit and pinion
AEL5954	115 - 230 V anti-condensate heater	
AEL5956	24 V anti-condensate heater	
AEL5981	Position transmitter	2 wire 4 - 20 mA
AEL5982	Position transmitter	3 wire 0 / 4 - 20 mA

The potentiometer must use its whole range (almost 1 full turn). To facilitate different actuator strokes replacement pinion kits are available. Please contact Spirax Sarco for further information.

Special parts	Pinion 25 teeth with AEL5_	For stroke $\leq \frac{3}{4}$ "
	Pinion 30 teeth with AEL5_	For stroke between $\frac{3}{4}$ " to $1\frac{3}{16}$ "
	Pinion 50 teeth with AEL5_	For stroke between $1\frac{3}{16}$ " to 1"
	Pinion 65 teeth with AEL5_	For stroke between 1" to $2\frac{1}{2}$ "
	Pinion 75 teeth with AEL5_	For stroke between $2\frac{1}{2}$ " to $3\frac{3}{4}$ "

For information on AEL5 series actuators see TI-P358-25



Local regulation may restrict the use of this product below the conditions quoted. Limiting conditions refer to standard connections only. In the interests of development and improvement of the product, we reserve the right to change the specification.

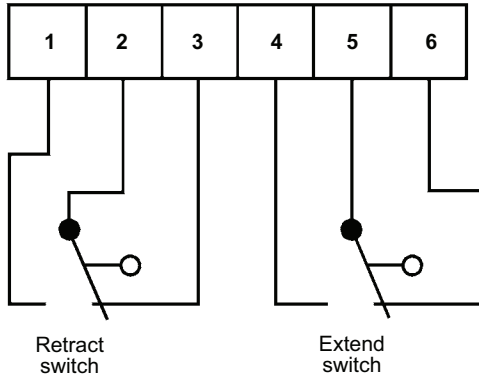
TI-P358-28-US 10.15

Accessories for the AEL5 Series of Electric Linear Actuators

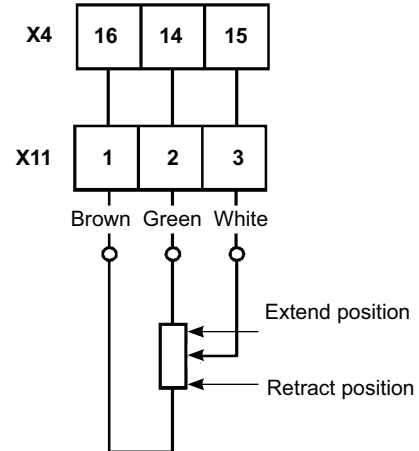
Wiring diagrams (Note: X0, X4, X5, X6, X8 and X9 refer to termination board location)

AEL5951 auxiliary switches

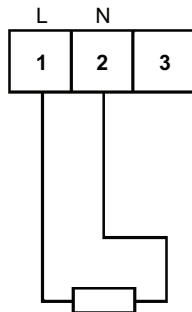
X6



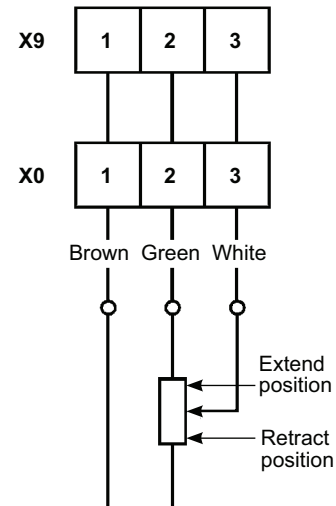
AEL5952 feedback potentiometer and AEL5953 1st output from tandem potentiometer



Anti-condense heater AEL5954 110 - 250 V and AEL5956 12 - 36 V



AEL5953 2nd output from tandem potentiometer



Accessories for the AEL5 Series of Electric Linear Actuators

Positioner card layout

Positioner card input impedance

Signal	Resistance
2-10 V	50 k Ω
4-20 mA	100 Ω

