



Pilot Operated Temperature Regulators

25 Series Thermostat Bulb Types

Description

The Thermostat Bulb styles are for temperature pilots used on the following:
 25T and 25TE Temperature Controls
 25PT and 25 PTE Pressure Temperature Controls.

Thermostat Bulb Types

T1 *	Bulb in copper with brass capillary tubing.
T2 **	Bulb in copper with union connection 3/4" NPT, with brass capillary tubing.
T4	T1 flanged temperature pilot well.
T5	Brass, 5 3/4" extension well for T2 thermostat bulb.
T6	Stainless steel, 5 3/4" extension well for T2 thermostat bulb.
T7	Brass, 18" extension well for T1 thermostat bulb.
T8	Stainless steel, 18" extension well for T1 thermostat bulb.
T9	Wall mounting bracket for T1 thermostat bulb.
T10	Bulb in stainless steel, with stainless steel capillary tubing.
T11	Bulb in stainless steel with union connection 3/4" NPT, with stainless steel capillary tubing.

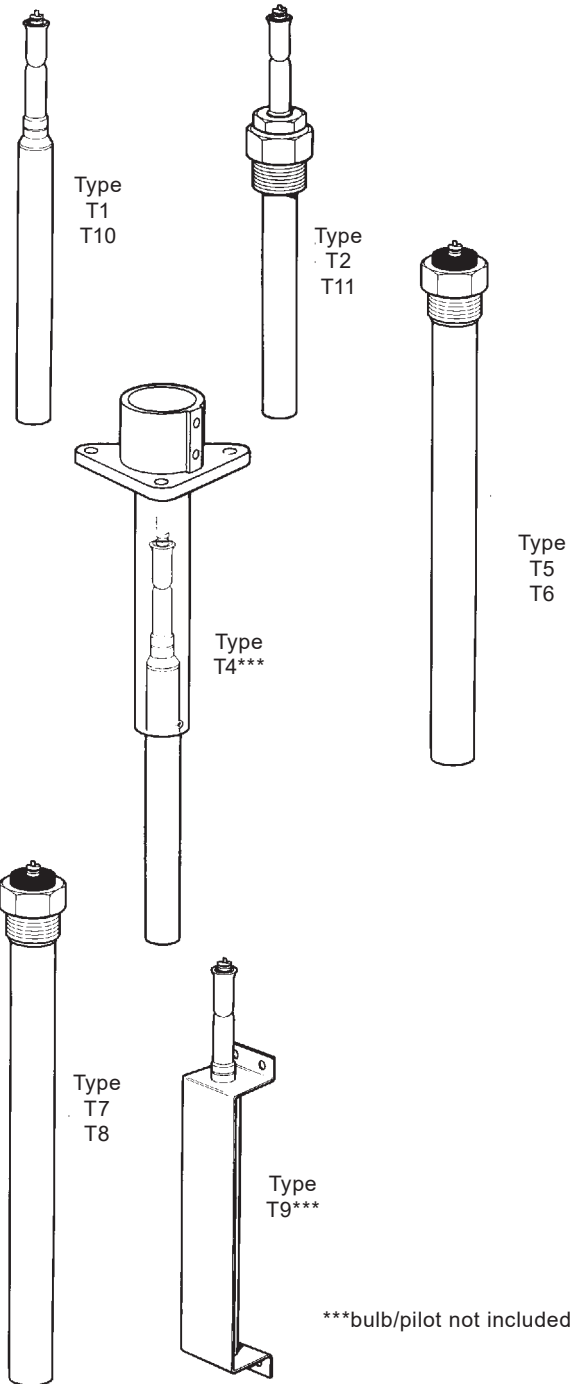
Notes * T1 includes T7 and T8
 ** T2 includes T5 and T6

Limiting Operating Conditions

Up to 200 °F/93 °C above the control set point provided temperatures at the bulb do not exceed 350 °F 176 °C.

Options:

Capillary Tube Length
 Standard 8 ft. and 15 ft. available. Intervals of 5 ft. up to a maximum of 50 ft.



Dimensions (nominal) in inches and millimeters

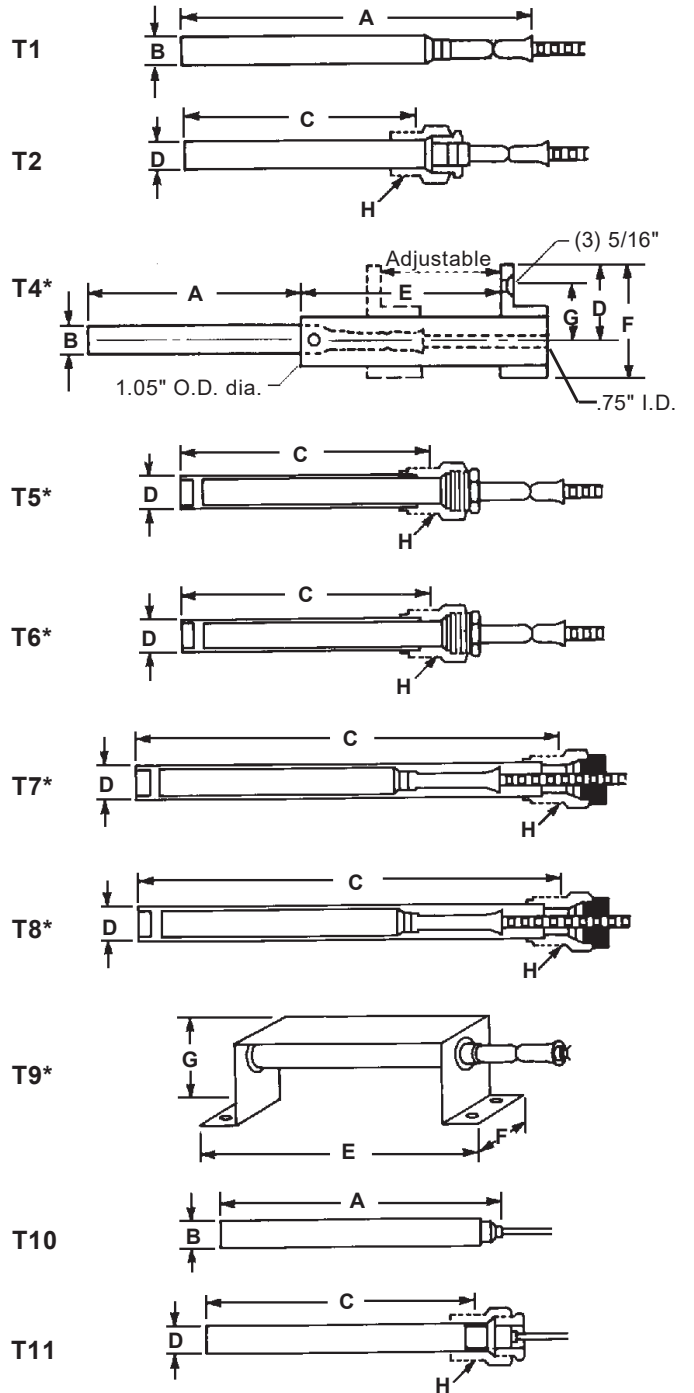
Style	A	B	C	D	E	F	G	NPT H	J
T1	8	0.62							
	203	15.7							
T2			5.21	0.62				3/4"	
			132	15.7					
T4	5	0.62		1.4	7.0	2.25	1.0		5/16"
	127	15.7		36	178	57.2	25.5		
T5			5.75	0.75				3/4"	
			146	19					
T6			5.75	0.75				3/4"	
			146	19					
T7			18	0.75				3/4"	
			457	19					
T8			18	0.75				3/4"	
			457	19					
T9					6.7	1.5	2.1		
					170	38	53		
T10	6.4	0.62							
	162	15.7							
T11			6.12	0.62				3/4"	
			155	15.7					

Installation

The thermostatic bulb should be carefully located in the medium being heated. Make sure that the entire length of the thermostatic bulb is immersed in the heated medium with a good circulation left over it. Locate the thermometer being used to monitor temperature close to the thermostatic bulb. When the bulb is contained in a well, use a heat conducting compound to improve response time.

How to Specify

1 – 1/2" Spirax Sarco 25T Temperature Control with Thermostat Bulb Style T2.



*bulb/pilot not included.