



# Pilot Operated Temperature Regulators

## 25 Series Thermostat Bulb Types

### Description

The Thermostat Bulb styles are for temperature pilots used on the following:  
25T and 25TE Temperature Controls  
25PT and 25 PTE Pressure Temperature Controls.

### Thermostat Bulb Types

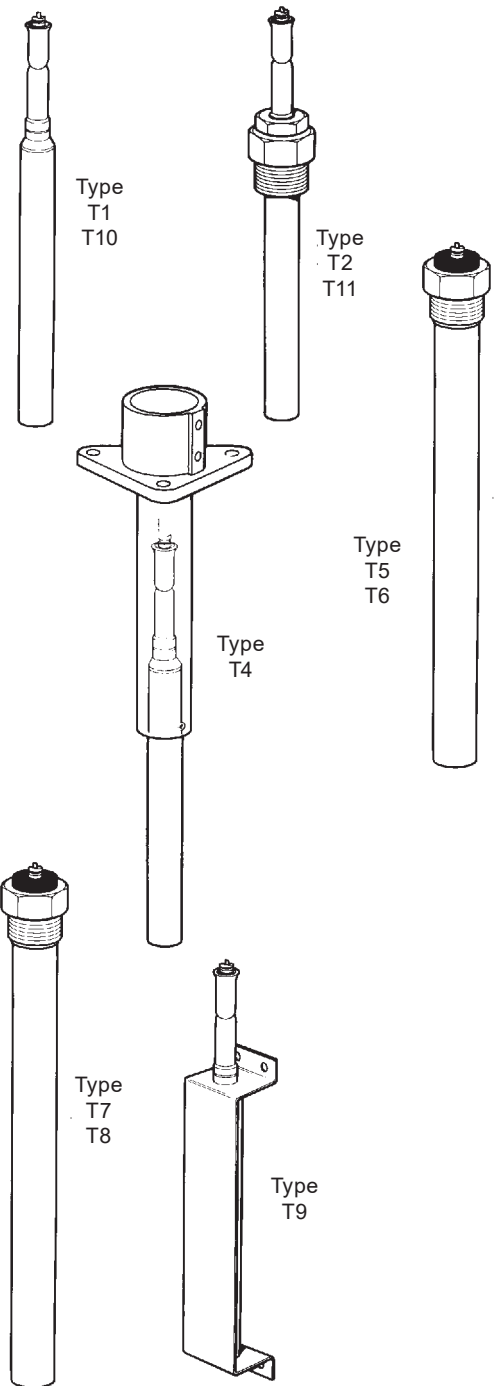
<b>T1</b>	Bulb in copper with brass capillary tubing.
<b>T2</b>	Bulb in copper with union connection 3/4" NPT, with brass capillary tubing.
<b>T4</b>	T1 flanged temperature pilot well.
<b>T5</b>	Brass, 5 3/4" extension well for T2 thermostat bulb.
<b>T6</b>	Stainless steel, 5 3/4" extension well for T2 thermostat bulb.
<b>T7</b>	Brass, 18" extension well for T1 thermostat bulb.
<b>T8</b>	Stainless steel, 18" extension well for T1 thermostat bulb.
<b>T9</b>	Wall mounting bracket for T1 thermostat bulb.
<b>T10</b>	Bulb in stainless steel, with stainless steel capillary tubing.
<b>T11</b>	Bulb in stainless steel with union connection 3/4" NPT, with stainless steel capillary tubing.

### Limiting Operating Conditions

Up to 200 °F/93 °C above the control set point provided temperatures at the bulb do not exceed 350 °F 176 °C.

### Options:

Capillary Tube Length  
Standard 8 ft. and 15 ft. available. Intervals of 5 ft. up to a maximum of 50 ft.



**Dimensions (nominal) in inches and millimeters**

Style	A	B	C	D	E	F	G	NPT H	J
T1	8	0.62							
	203	15.7							
T2			5.21	0.62				3/4"	
			132	15.7					
T4	5	0.62		1.4	7.0	2.25	1.0		5/16"
	127	15.7		36	178	57.2	25.5		
T5			5.75	0.75				3/4"	
			146	19					
T6			5.75	0.75				3/4"	
			146	19					
T7			18	0.75				3/4"	
			457	19					
T8			18	0.75				3/4"	
			457	19					
T9					6.7	1.5	2.1		
					170	38	53		
T10	6.4	0.62							
	162	15.7							
T11			6.12	0.62				3/4"	
			155	15.7					

**Installation**

The thermostatic bulb should be carefully located in the medium being heated. Make sure that the entire length of the thermostatic bulb is immersed in the heated medium with a good circulation left over it. Locate the thermometer being used to monitor temperature close to the thermostatic bulb. When the bulb is contained in a well, use a heat conducting compound to improve response time.

**How to Specify**

1 – 1/2" Spirax Sarco 25T Temperature Control with Thermostat Bulb Style T2.

