

## INSTALLATION AND MAINTENANCE INSTRUCTIONS

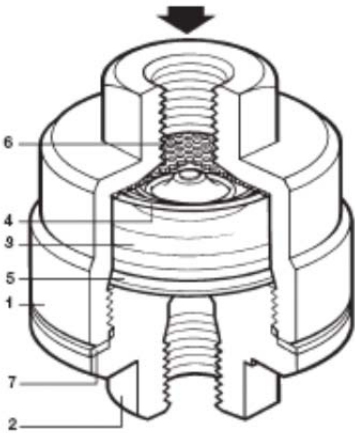
IM-2-00021-US

April 2014

### MST21 Series Thermostatic Steam Trap Maximum Working Conditions 305 psig @572° F (21 barg @300° C)

#### Installation

1. Install strainer optional and isolation valve upstream of trap if draining to grade and both sides if discharging into return system.
2. Never weld pipe connections to the trap, damage to the thermostatic capsule could result.
3. For freeze protection all drain lines must be pitched toward the trap for gravity flow. Trap must be installed vertically discharging downward and discharge piping must be self-draining.
4. When used as a thermostatic air vent, the arrow pointed upwards. Locate at high point of main or equipment, where air can collect and pipe discharge to a drain.
5. Always drain to a safe place.



Recommended for critical applications, such as draining steam mains, tracing lines, sterilizers and steam air venting. Make sure trap is mounted in direction of flow.

#### Spare Parts

- Complete internal set 3,4,5,6,7.
- Gasket Kit (set of 3) 7.

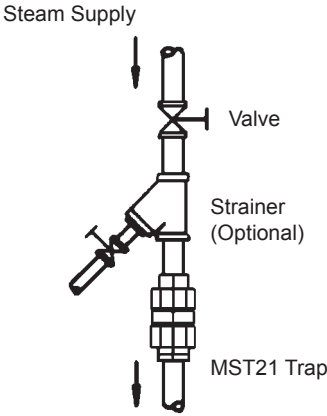
Note: Must choose either STD, NTS, or Sub capsule.

#### Maintenance

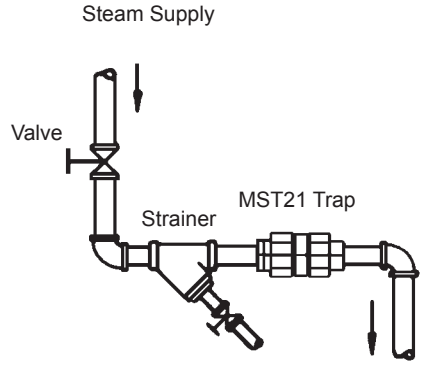
1. Make sure all steam is turned off and pressure has been dissipated before doing any work.
2. Remove cap (2) using a wrench.
3. Lift out the strainer screen (6), Spring (4), thermostat capsule (3), and spacer plate (5).
4. Replace with new internals in the correct order. Make sure the conical spring (4) is positioned with the narrow end in contact with the capsule.
5. Fit a new gasket (7)
6. Refit the cap (2) using a little anti-seize compound on the threads and tighten to the recommended torque (see table).

Recommended Tightening Torques		
Size	Lbf ft	Nm
1/4"	73-80	100-110
3/8"	73-80	100-110
1/2"	73-80	100-110
3/4"	73-80	100-110
1"	73-80	100-110

# VERTICAL PIPING INSTALLATION



# HORIZONTAL PIPING INSTALLATION



For any additional information you may require, contact: Spirax Sarco  
Applications Engineering Department  
Toll Free 1-800-883-4411



SPIRAX SARCO, INC. • 1150 NORTHPOINT BLVD. • BLYTHEWOOD, SC 29016  
1-800-883-4411  
WWW.SPIRAXSARCO.COM/GLOBAL/US