

EL2600-E2G Pressure Transmitter

Description

The EL2600-E2G is a pressure transmitter for industrial applications. It has a 2-wire 4-20 mA current loop, and a G 1/2" BSP process connection. Different cooling elements are available to protect the pressure transmitter against high temperatures of the measured fluid. More information on these cooling elements can be found in the data sheets mentioned below.

TI-P027b03 General applications
TI-P027b06 Food & beverage industry – steam in contact with food (EC1935 : 2004)



Available ranges

Barg	-1/1,6	-1/5	-1/9	-1/15	-1/25
------	--------	------	------	-------	-------

Limiting conditions

Pressure/temperature limits

Minimum operating temperature	-40 °C
Maximum operating temperature (without cooling element)	125 °C

Max. allowable overpressure

Pressure range	Proof pressure (bar)	Burst pressure (bar)
-1 / 1,6 barg	1,4X	8X
-1 / 5 barg	1,5X	8X
-1 / 9 barg	1,5X	8X
-1 / 15 barg	1,5X	8X
-1 / 25 barg	1,2X	5X

Note: High pressure 'spikes' above maximum overpressure, even of very short (milli-seconds) duration, could damage sensors. If pressure peaks are likely to occur in your application, we recommend the use of a pressure snubber. Alternatively, a higher range pressure transmitter could be used, though this would mean some loss of signal resolution.

Process connection

If the temperature of the fluid is below 125°C, The EL2600-E2G may be mounted directly via its G 1/2" BSP connection. For fluid temperatures above 125°C, a cooling element need to be installed between the pressure transmitter and the vessel or pipeline.

Technical data

Sensor type	Thinfilm
Supply voltage	9 à 36 V dc ≤ 0,5%
Accuracy	Including repeatability and hysteresis (terminal point method)
Response time	4 ms
Protection rating	IP66

Approvals

EMC emissions	2014/30/EU EN 55011:2009 (Group 1, Class A)
EMC	2014/30/EU EN61326-1, EN61326-2-3 and immunity
EC1935:2004	Food Contact Materials

On request: Material certificate according to EN10204 2.2.

Note: All certification requirements must be stated at the time of order placement, and may be subject to additional cost as detailed above.

Materials

Part	Material
Body	Stainless steel 316L
Connector	Plastic

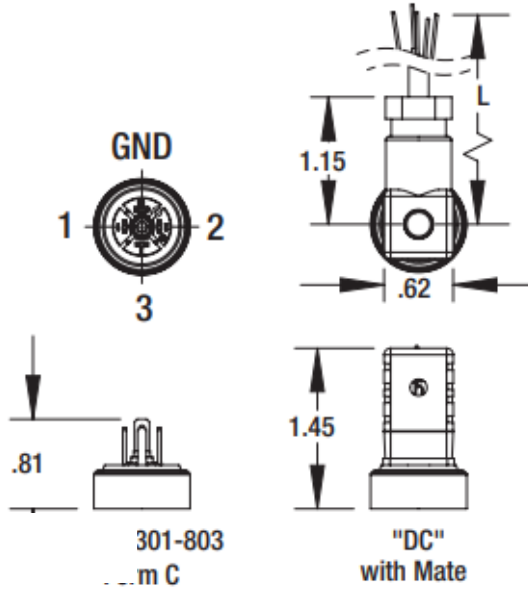
Dimensions / weight (approximate) in mm / kg

Weight = 170 g

Electrical connection

Electrical connection according to Hirschmann EN175301-803 Form C.

Pin	4-20 mA output
1	V+
2	V-
3	N/A
GND	Ground



Safety, installation and maintenance

This document does not contain sufficient information to install the product safely. See the Installation and Maintenance Instructions supplied with the product.

Safety

Your attention is drawn to Safety Information Leaflet IM-GCM-10.

Installation

The use of a cooling element for temperatures above 125°C is essential to avoid damage to the pressure transmitter.

Maintenance

No specific maintenance is required, but we recommend inspection and re-calibration of the transmitter once a year.

How to order

Spirax-Sarco pressure transmitter EL2600-E2G, ½" BSP, range -1 – 15 bar eff. Specify the type of cooling element required.