



7C.561-E
 Issue 2 - 2015

Solenoid Valve - Series D318

Description

The three way (3/2) solenoid valve is used as a normally closed valve with discharge to atmosphere.

The solenoid valve comprises a valve body, sleeve, sealing unit, springs and coil.

The coil, fitted inside the sleeve, does not come into contact with the process fluid.

Application

Ideal for use on water, compressed air, natural gas, hydraulic fluid, liquids and gases which do not have a corrosive effect on copper and its alloys.

Models

Code	Type	Features	Vie	Pressure
7.718.2600.405	D318CVG1	24 V A.C.	3/2	0/7 bar
7.718.2601.405	D318CVG1	110 V A.C.	3/2	0/7 bar
7.718.2602.405	D318CVG1	230 V A.C.	3/2	0/7 bar
7.718.2606.405	D318CVG1	24 V D.C.	3/2	0/7 bar

Connections

Rapid connection for Ø 8 mm Type in inlet and 1/4" NPT - M in outlet.

Operating limits

Maximum pressure	7 bar
Fluid temperature	-10 ÷ 130°C
Room temperature	-10 ÷ 60°C
Maximum viscosity	21 mm ² /s
Nominal size	2,5 mm
Average activation time	15 ms
Weight	0,430 Kg
Kvs	0,20 m ³ /h

Dati elettrici

Operating voltage	24 - 110 - 230 V 50/60 Hz
	24 Vdc
Voltage tolerance	±10%

Power absorbed

ac pickup	ac operation	d.c.
36 VA	18 VA	14 W

- Coil class H

Type of protection

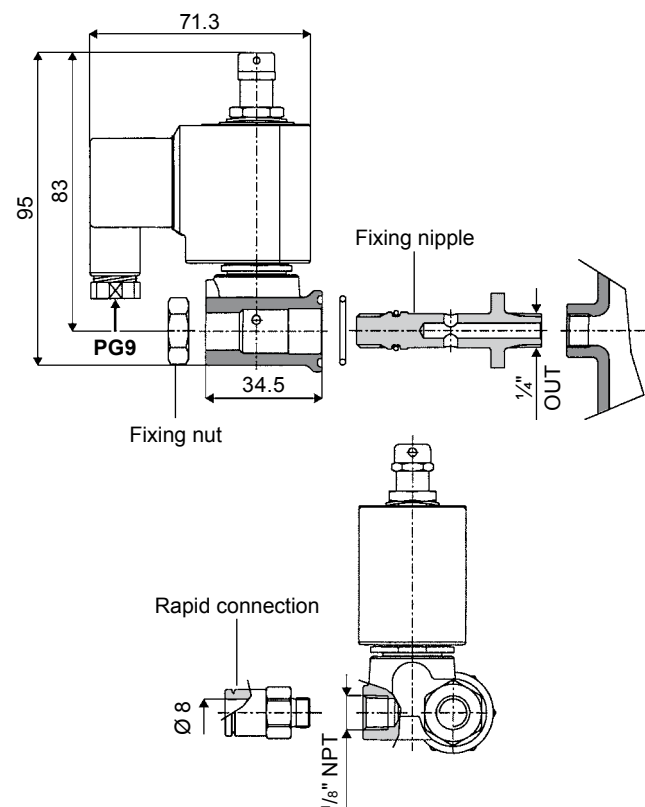
IP65 with connector installed.

Materials

Component	Materials
Valve body	(CW 614 EN 12165) brass
Coil body	PPS
Connector	(DIN 43650-A) Nylon reinforced fiber glass
Seal	FKM



Dimensions (approximate) in mm



Installation

The solenoid valve may be installed in any position. Where possible however it is advisable to install it with the magnetic system facing upwards; this prevents sediment deposits in the core clearance and increases the life of the valve.

The valve seat and piping must be carefully cleaned before installation. The presence of foreign bodies inside the valve prevents perfect isolation of the controlled fluid and may damage the valve seat mechanism.

Connections

For pneumatic connections, see Fig. 1.

For electrical connections bear in mind the voltage and type of current (ac or dc). The maximum permissible voltage tolerance is $\pm 10\%$. Connections must be made using a Type 2508 electrical connector on the coil terminals and in accordance with the correct polarity.

Fault Finding

Check the connections, operating pressure and supply voltage. If the magnet is not energised the fault may be due to a short circuit, a coil break or a power failure; the presence of impurities in the orifice or valve body can cause an erratic movement of the plug.

Spare parts and Maintenance

The valve requires no maintenance. No spare parts are supplied.

