

AEL3 Auxiliary Switch Installation Instructions

Installing the auxiliary switches

For use in normal environments

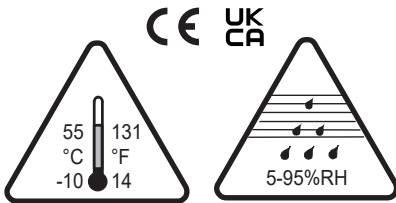


Fig. 1

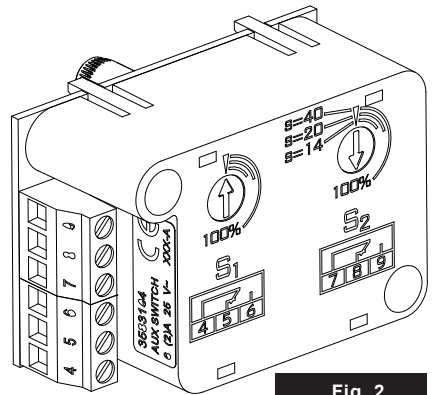


Fig. 2

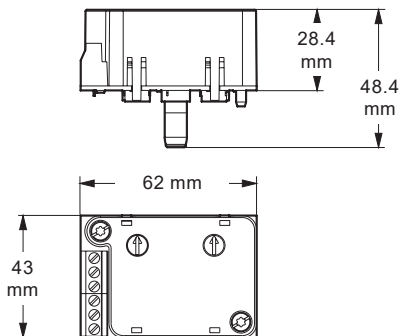


Fig. 3

	T15
	1
	3
	s24 (1x)

Fig. 4

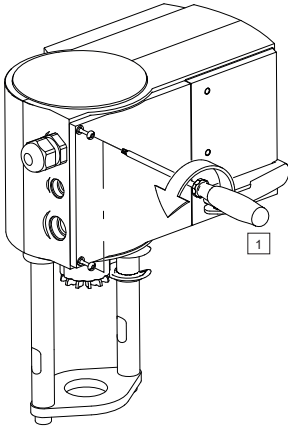


Fig. 5

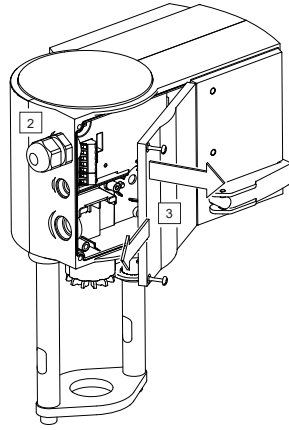


Fig. 6

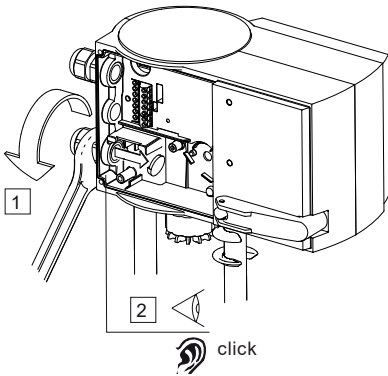


Fig. 7

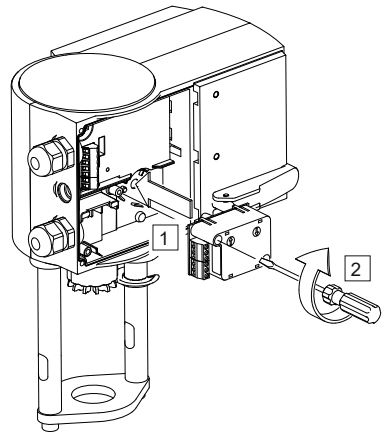


Fig. 8

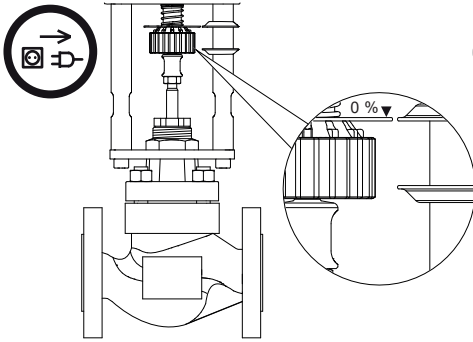


Fig. 9a

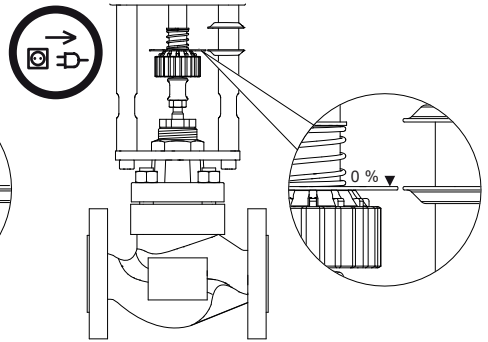


Fig. 9b

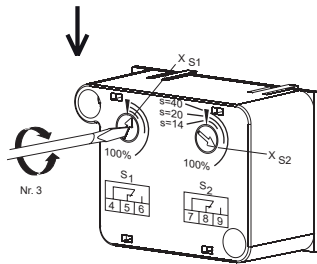


Fig. 10a

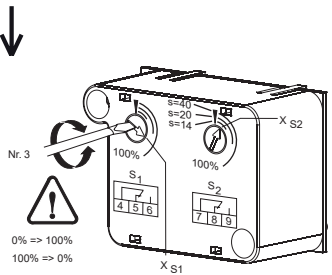
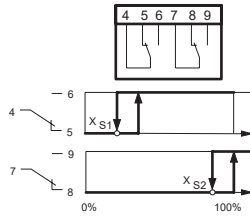


Fig. 10b

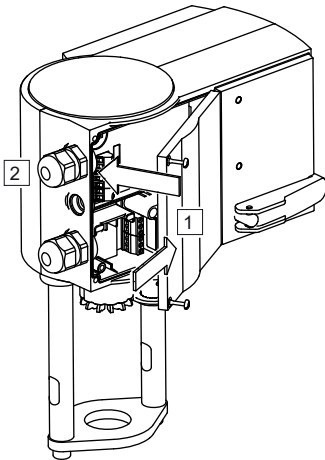


Fig. 11

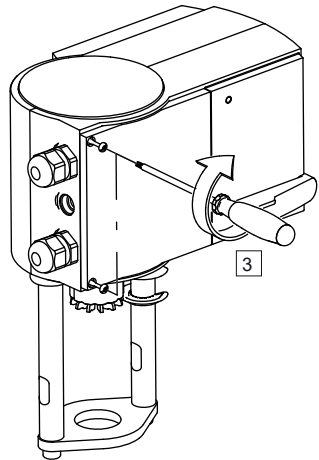
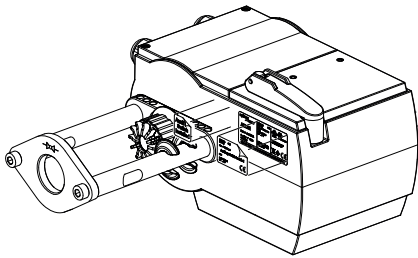


Fig. 12



spirax sarco AEL3E Date Code: XXX-A Country of Origin: Germany Spirax-Sarco Limited, Charlton House, Cheltenham, Gloucestershire, GL53 8ER, GB	24 Vac/dc 12W 50/60Hz max. -10T55 (60)°C IP68 Control Signal: DC 0...10V	 238A E7624 23FR A1P2346P232U Temperature Indicating & Regulating Equipment
	Equipment intended for connection to a Class 2 power source.	

spirax sarco AEL3E Date Code: XXX-A Country of Origin: Germany Spirax-Sarco Limited, Charlton House, Cheltenham, Gloucestershire, GL53 8ER, GB	24 Vac/dc 12W 50/60Hz max. -10T55 (60)°C IP68 Control Signal: DC 0...10V Pollution Deg. 3 Overvoltage Cat. III	
----------------------------------------------------------------------------------------------------------------------------------------------------------------------------------	-------------------------------------------------------------------------------------------------------------------------------------	------------------

24 Vac/dc 12W 50/60Hz max. -10T55 (60)°C IP68 Control Signal: DC 0...10V Pollution Deg. 3 Overvoltage Cat. III	
-------------------------------------------------------------------------------------------------------------------------------------	------------------

Note: Overlay label also required for 24V variant as auxiliary switch is not UL approved.

Auxiliary Switch Installed

spirax sarco AEL3E Date Code: XXX-A Country of Origin: Germany Spirax-Sarco Limited, Charlton House, Cheltenham, Gloucestershire, GL53 8ER, GB	24 Vac/dc 12W 50/60Hz max. -10T55 (60)°C IP68 Control Signal: DC 0...10V Pollution Deg. 3 Overvoltage Cat. III	
----------------------------------------------------------------------------------------------------------------------------------------------------------------------------------	-------------------------------------------------------------------------------------------------------------------------------------	------------------

Auxiliary Switch Installed

spirax sarco AEL3E Date Code: XXX-A Country of Origin: Germany Spirax-Sarco Limited, Charlton House, Cheltenham, Gloucestershire, GL53 8ER, GB	100-110 V- 28 VA 50/60Hz max. -10T55 (60)°C IP68 Control Signal: DC 0...10V Pollution Deg. 3 Overvoltage Cat. III	
----------------------------------------------------------------------------------------------------------------------------------------------------------------------------------	----------------------------------------------------------------------------------------------------------------------------------------	------------------

Auxiliary Switch Installed

spirax sarco AEL3E Date Code: XXX-A Country of Origin: Germany Spirax-Sarco Limited, Charlton House, Cheltenham, Gloucestershire, GL53 8ER, GB	230 V- 28 VA 50/60Hz max. -10T55 (60)°C IP68 Control Signal: DC 0...10V Pollution Deg. 3 Overvoltage Cat. III	
----------------------------------------------------------------------------------------------------------------------------------------------------------------------------------	------------------------------------------------------------------------------------------------------------------------------------	------------------

Fig. 13

AEL3 Auxiliary Switch

