

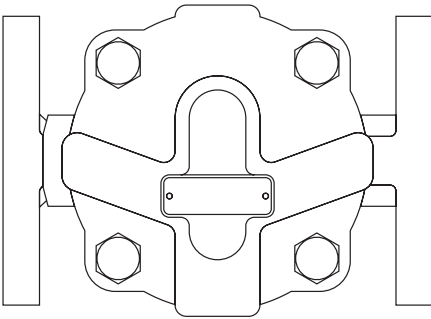
## FT14

### Ball Float Steam Trap ½" (DN15) to 1" (DN25)

Installation and Maintenance Instructions

---

---



1. Safety information
2. General product information
3. Installation
4. Commissioning
5. Operation
6. Maintenance
7. Spare parts

# 1. General safety information

Safe operation of this product can only be guaranteed if it is properly installed, commissioned, used and maintained by qualified personnel (see Section 1.11) in compliance with the operating instructions. General installation and safety instructions for pipeline and plant construction, as well as the proper use of tools and safety equipment must also be complied with.

## 1.1 Intended use

Referring to the Installation and Maintenance Instructions, name-plate and Technical Information Sheet, check that the product is suitable for the intended use/application. This product complies with the requirements of the Indian Boiler Regulations, 1950.

- i) This product has been specifically designed for use on steam, air or water/condensate. The products' use on other fluids may be possible but, if this is contemplated, Spirax Sarco should be contacted to confirm the suitability of the product for the application being considered.
- ii) Check material suitability, pressure and temperature and their maximum and minimum values. If the maximum operating limits of the product are lower than those of the system in which it is being fitted, or if malfunction of the product could result in a dangerous overpressure or overtemperature occurrence, ensure a safety device is included in the system to prevent such over-limit situations.
- iii) Determine the correct installation situation and direction of fluid flow.
- iv) Spirax Sarco products are not intended to withstand external stresses that may be induced by any system to which they are fitted. It is the responsibility of the installer to consider these stresses and take adequate precautions to minimise them.
- v) Remove protection covers from all connections and protective film from all name-plates, where appropriate, before installation on steam or other high temperature applications.

## 1.2 Access

Ensure safe access and if necessary a safe working platform (suitably guarded) before attempting to work on the product. Arrange suitable lifting gear if required.

## 1.3 Lighting

Ensure adequate lighting, particularly where detailed or intricate work is required.

## 1.4 Hazardous liquids or gases in the pipeline

Consider what is in the pipeline or what may have been in the pipeline at some previous time. Consider: flammable materials, substances hazardous to health, extremes of temperature.

## 1.5 Hazardous environment around the product

Consider: explosion risk areas, lack of oxygen (e.g. tanks, pits), dangerous gases, extremes of temperature, hot surfaces, fire hazard (e.g. during welding), excessive noise, moving machinery.

## 1.6 The system

Consider the effect on the complete system of the work proposed. Will any proposed action (e.g. closing isolation valves, electrical isolation) put any other part of the system or any personnel at risk?

Dangers might include isolation of vents or protective devices or the rendering ineffective of controls or alarms. Ensure isolation valves are turned on and off in a gradual way to avoid system shocks.

## 1.7 Pressure systems

Ensure that any pressure is isolated and safely vented to atmospheric pressure. Consider double isolation (double block and bleed) and the locking or labelling of closed valves. Do not assume that the system has depressurised even when the pressure gauge indicates zero.

## 1.8 Temperature

Allow time for temperature to normalise after isolation to avoid danger of burns.

## 1.9 Tools and consumables

Before starting work ensure that you have suitable tools and/or consumables available. Use only genuine Spirax Sarco replacement parts.

## 1.10 Protective clothing

Consider whether you and/or others in the vicinity require any protective clothing to protect against the hazards of, for example, chemicals, high/low temperature, radiation, noise, falling objects, and dangers to eyes and face.

## 1.11 Permits to work

All work must be carried out or be supervised by a suitably competent person. Installation and operating personnel should be trained in the correct use of the product according to the Installation and Maintenance Instructions.

Where a formal 'permit to work' system is in force it must be complied with. Where there is no such system, it is recommended that a responsible person should know what work is going on and, where necessary, arrange to have an assistant whose primary responsibility is safety.

Post 'warning notices' if necessary.

## 1.12 Handling

Manual handling of large and/or heavy products may present a risk of injury. Lifting, pushing, pulling, carrying or supporting a load by bodily force can cause injury particularly to the back. You are advised to assess the risks taking into account the task, the individual, the load and the working environment and use the appropriate handling method depending on the circumstances of the work being done.

## 1.13 Residual hazards

In normal use the external surface of the product may be very hot. If used at the maximum permitted operating conditions the surface temperature of some products may reach temperatures in excess of 200 °C (392 °F).

Many products are not self-draining. Take due care when dismantling or removing the product from an installation (refer to 'Maintenance instructions').

## **1.14 Freezing**

Provision must be made to protect products which are not self-draining against frost damage in environments where they may be exposed to temperatures below freezing point.

## **1.15 Disposal**

Unless otherwise stated in the Installation and Maintenance Instructions, this product is recyclable and no ecological hazard is anticipated with its disposal providing due care is taken.

## **1.16 Returning products**

Customers and stockists are reminded that under EC Health, Safety and Environment Law, when returning products to Spirax Sarco they must provide information on any hazards and the precautions to be taken due to contamination residues or mechanical damage which may present a health, safety or environmental risk. This information must be provided in writing including Health and Safety data sheets relating to any substances identified as hazardous or potentially hazardous.

# 2. General product information

## 2.1 General description

The FT14 is an SG iron bodied ball float steam trap having stainless steel working internals and integral automatic air venting facility. It can be maintained without disturbing the pipework and is supplied with either horizontal screwed or flanged connections with flow from right to left (R-L) or left to right (L-R). The screwed version is also available with vertical connections (FT14V) with flow vertically downwards.

### Capsule

The BP99/32 capsule which is used in the FT14 ball float steam trap is suitable for use on superheat.

### Standards and certification

This product fully complies with the requirements of the Indian Boiler Regulations, 1950.

This product is available with a manufacturers' Typical Test Report and IBR certification.

**Note:** All certification/inspection requirements must be stated at the time of order placement.

**Note:** For additional product data see the following Technical Information sheets TI-IBR16-05 and TI-IBR16-06.

## 2.2 Sizes and pipe connections

1/2", 3/4" and 1" screwed BSP or NPT.

DN15, DN20 and DN25 standard flange ASME 150.

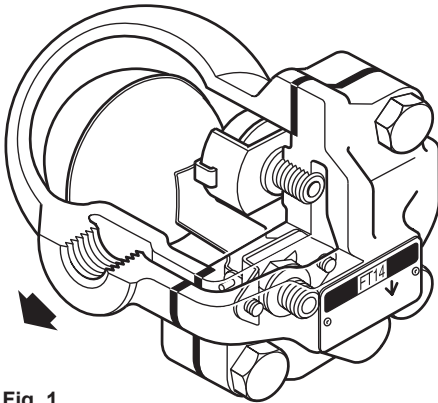


Fig. 1  
FT14 (R-L) screwed

Main valve assembly size  
DN25 (1")

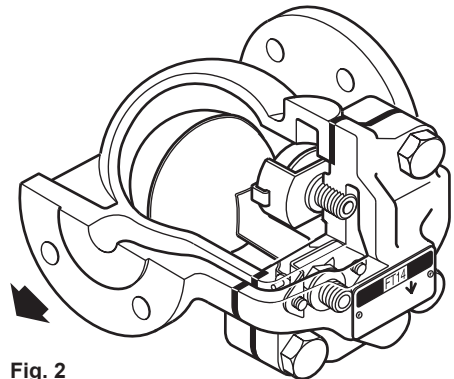
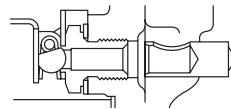
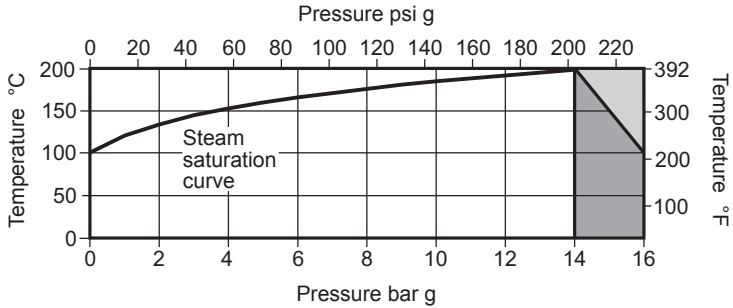
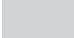


Fig. 2  
FT14 (R-L) flanged

### 2.3 Pressure/temperature limits (ISO 6552)



 The product **must not** be used in this region.

 For optimum performance the PMO should not exceed 14 bar g

Body design conditions		PN16	
TMA	Maximum allowable temperature	200 °C	(392 °F)
	Minimum allowable temperature	-10 °C	(14 °F)
PMO	Maximum operating pressure for saturated steam service	14 bar g	(203 psi g)
TMO	Maximum operating temperature	200 °C	(392 °F)
	Minimum operating temperature	0 °C	(32 °F)
		FT14-4.5	4.5 bar (65.25 psi)
ΔPMX	Maximum differential pressure	FT14-10	10 bar (145 psi)
		FT14-14	14 bar (203 psi)
Designed for a maximum cold hydraulic test pressure of:		21 bar g	(305 psi g)

# 3. Installation

**Note: Before actioning any installation observe the 'Safety information' in Section 1.**

Referring to the Installation and Maintenance Instructions, name-plate and Technical Information Sheet, check that the product is suitable for the intended installation.

- 3.1** Check materials, pressure and temperature and their maximum values. If the maximum operating limit of the product is lower than that of the system in which it is being fitted, ensure that a safety device is included in the system to prevent overpressurisation.
- 3.2** Determine the correct installation situation and the direction of fluid flow.
- 3.3** Remove protective covers from all connections and the protective film from all name-plates, where appropriate, before installation on steam or other high temperature applications.

## Installation note:

- If the trap is to discharge to atmosphere ensure it is to a safe place, the discharging fluid may be at a temperature of 100 °C (212 °F).
- The trap must be fitted with the float arm in a horizontal plane so that it rises and falls vertically, therefore the arrow on the name-plate must point downwards.
- **Unless specified, traps will be supplied with horizontal connections and with right to left flow (R-L).** Traps can be supplied with vertical connections with flow from top to bottom or horizontal connections with flow from right to left (R-L) or left to right (L-R).
- The connection orientation can be changed on site by undoing the four cover bolts and moving the cover to the preferred orientation. **A new gasket must always be fitted.**
- Minimum withdrawal distance to remove cover is 105 mm (4.13").

## Warning

The cover gasket contains a thin stainless steel support ring which may cause physical injury if not handled and disposed of carefully.

Please consult Spirax Sarco should further information be required.

# 4. Commissioning

After installation or maintenance ensure that the system is fully functioning. Carry out tests on any alarms or protective devices.

# 5. Operation

The float trap is a continuous discharge trap, removing condensate the instant it forms. On start-up, the thermostatic air vent allows air to bypass the main valve preventing the system air binding. Hot condensate will close the air vent tightly, but as soon as it enters the main chamber of the trap, the float rises and the lever mechanism attached to it opens the main valve - keeping the system drained of condensate at all times. When steam arrives, the float drops and closes the main valve. Float traps are renowned for their high start-up load handling capability, clean tight shut-off and resistance to waterhammer and vibration.

# 6. Maintenance

**Note:** Before actioning any maintenance program observe the 'Safety information' in Section 1.

## Warning

The cover gasket contains a thin stainless steel support ring which may cause physical injury if not handled and disposed of carefully.

### 6.1 General information:

Before undertaking any maintenance on the trap it must be isolated from both the supply line and return line and any pressure allowed to safely normalise to atmosphere. The trap should then be allowed to cool. When reassembling, ensure that all joint faces are clean.

### 6.2 How to fit the main valve assembly:



- Undo the cover bolts (2) and lift off the body (1).
- Remove the complete float assembly by undoing the two screws (7).
- Remove the main valve seat (5) and replace with a new one supplied with new gasket.  
Note: A valve spring (item 28) is fitted to the DN25 (1") traps only.
- Fit a complete new float assembly by tightening the assembly set screws (7) to the recommended torque (see Table 1).
- Refit the body (1) using a new gasket (3).

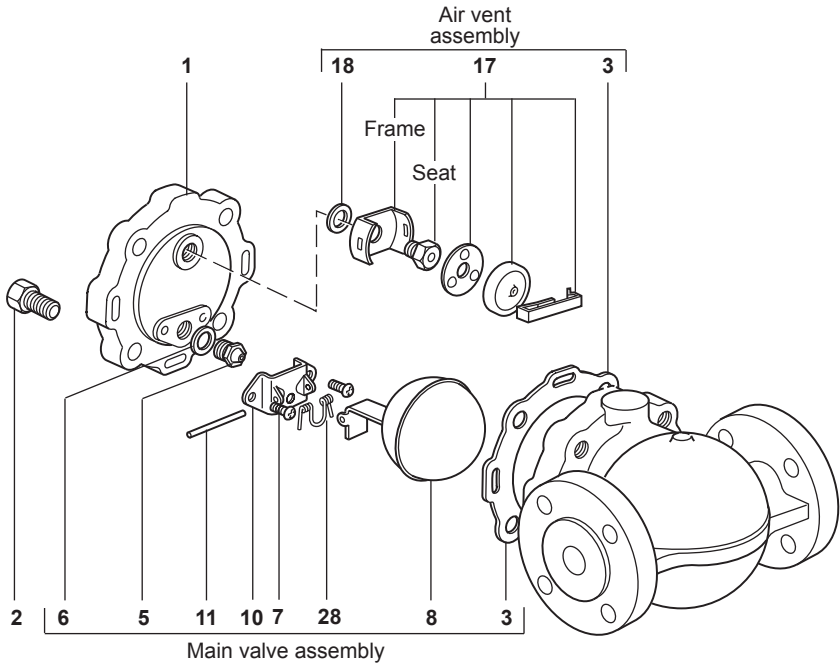
### 6.3 How to fit the air vent assembly:

- Remove the spring clip, element and spacer plate (17).
- Unscrew the seat.
- Fit a new gasket, seat and frame.
- Assemble the spacer plate, fit element and clips.
- Align the complete air vent horizontally so that the frame clears the cover.



**Table 1 Recommended tightening torques**

Item	 or mm		N m	(lbf ft)
2	17 A/F	M10 x 30	47 - 50	(35 - 37)
5	17 A/F		50 - 55	(37 - 40)
7	Pozidrive	M4 x 6	2.5 - 3.0	(1.8 - 2.2)
17	17 A/F		50 - 55	(37 - 40)



**Fig. 3**

# 7. Spare parts

The spare parts available are shown in solid outline. Parts drawn in a grey line are not supplied as spares.

## Available spares

Main valve assembly with float	3, 5, 6, 7 (2 off), 8, 10, 11, 16 (1" only)
Air vent assembly	3, 17, 18
Cover gasket (packet of 3)	3
Maintenance kit	3, 5, 6, 7 (2 off), 8, 10, 11, 17, 18, 28 (1" only)

## How to order spares

Always order spares by using the description given in the column headed 'Available spares' and state the size and type of trap.

**Example:** 1 - Air vent assembly for a Spirax Sarco DN20 FT14-10 (R-L) ball float steam trap.

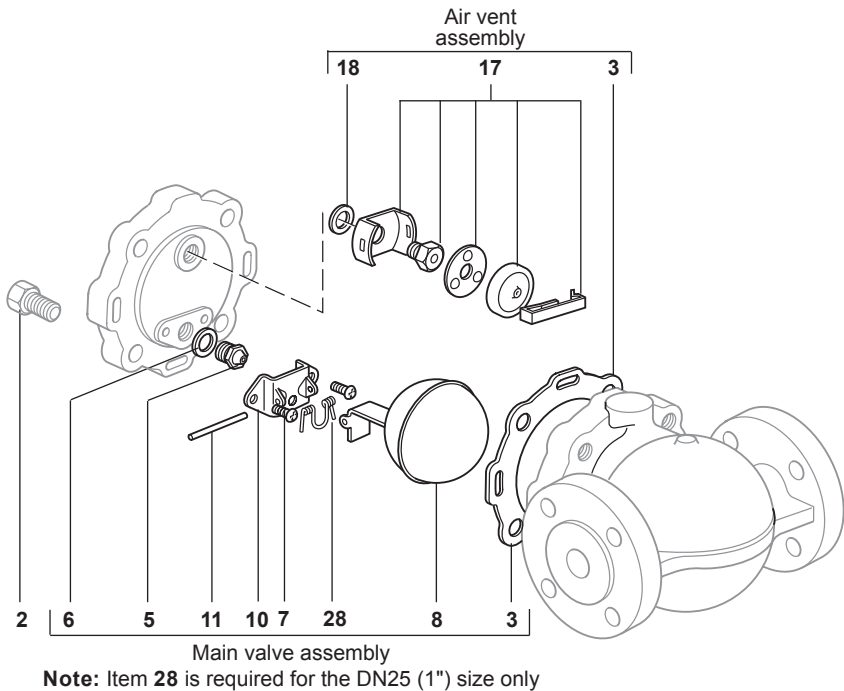


Fig. 4



