

## Actionneur AEL3 - Contact auxiliaire

### Instruction d'installation

#### Installation des contacts auxiliaires

Pour une utilisation dans un environnement normal

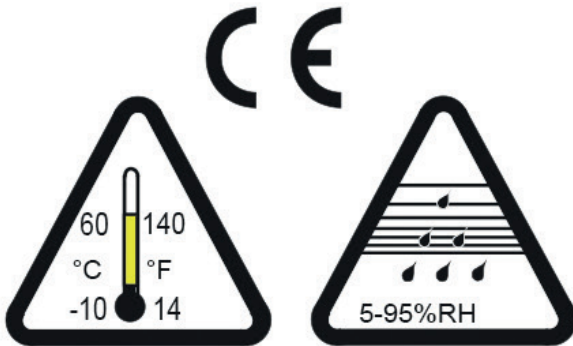


Fig. 1

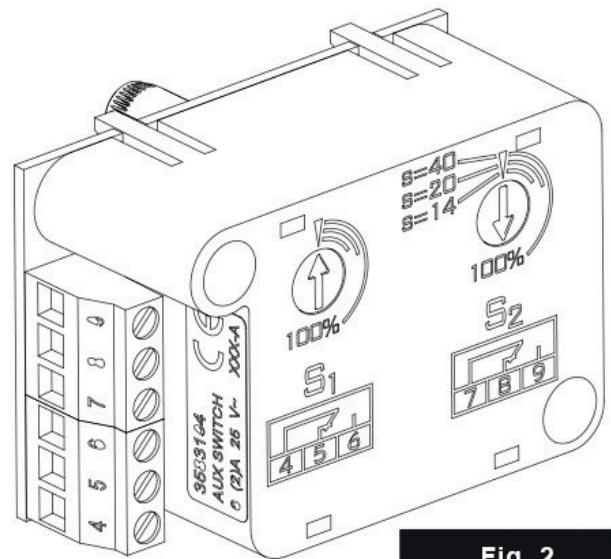


Fig. 2

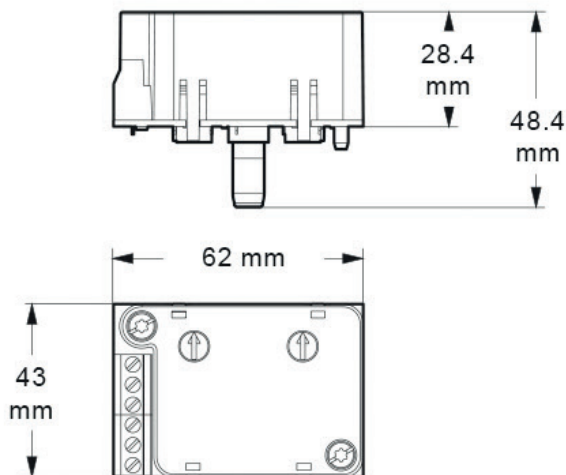
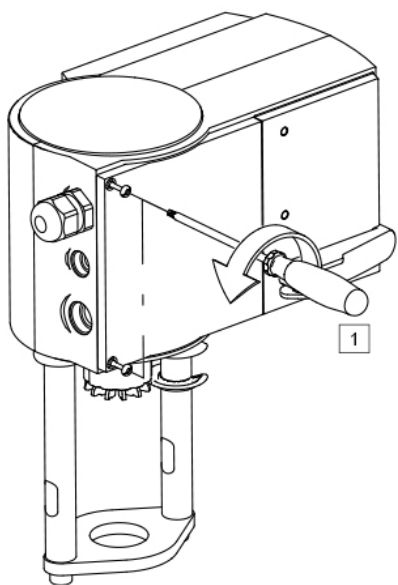


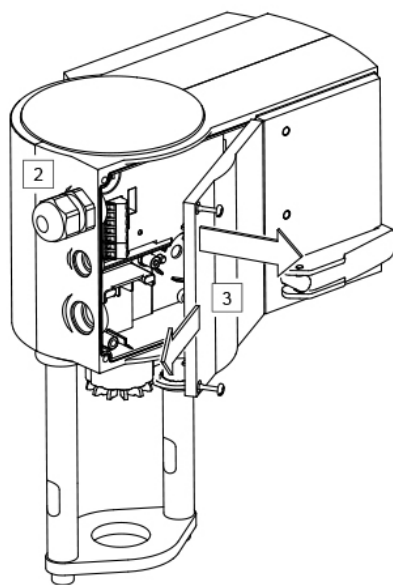
Fig. 3

	T15
	1
	3
	s24 (1x)

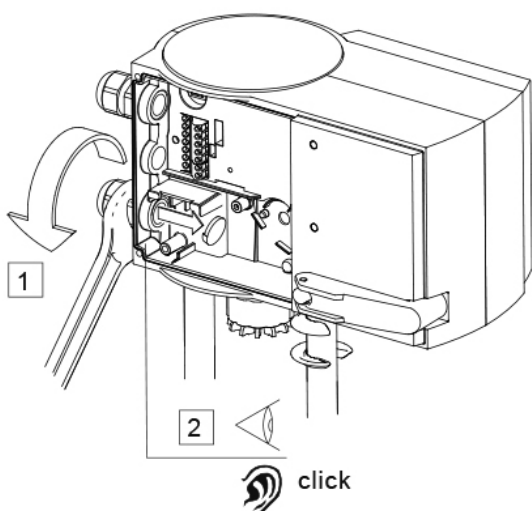
Fig. 4



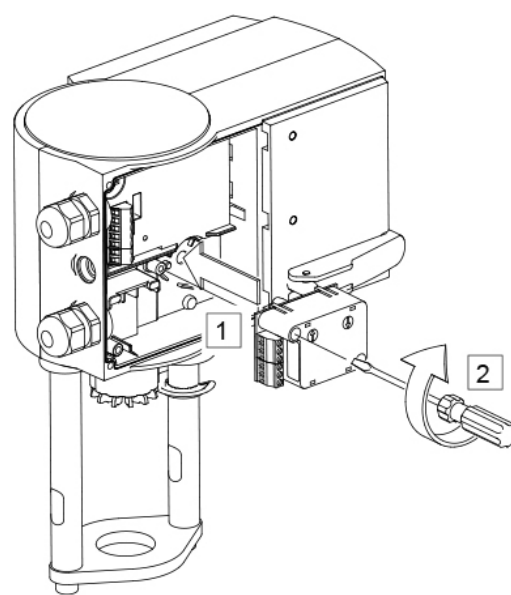
**Fig. 5**



**Fig. 6**



**Fig. 7**



**Fig. 8**

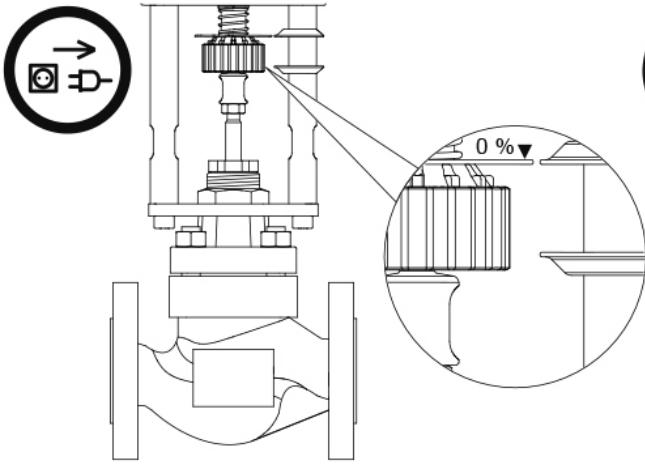


Fig. 9a

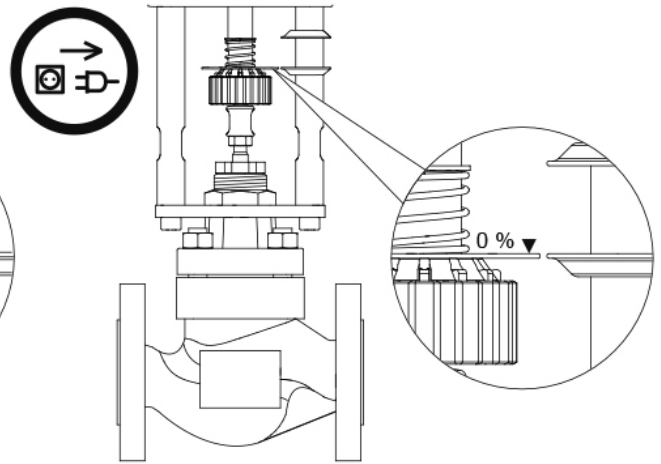


Fig. 9b

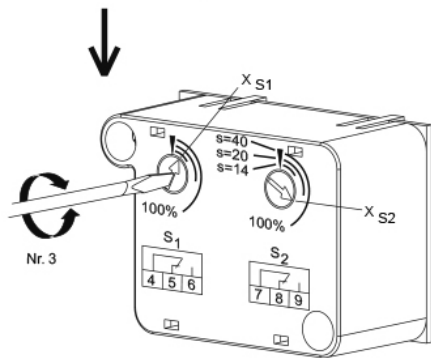


Fig. 10a

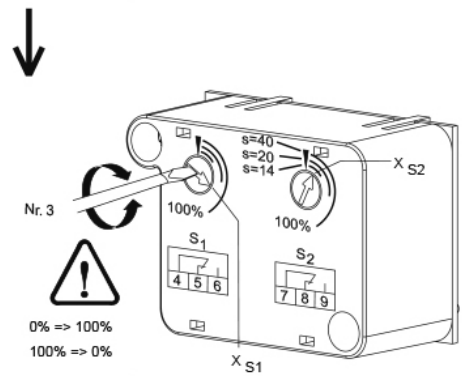
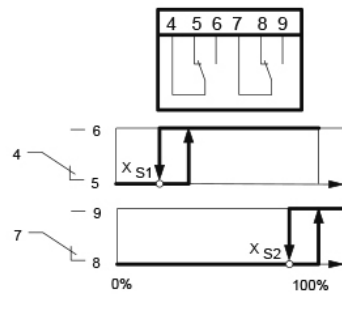


Fig. 10b

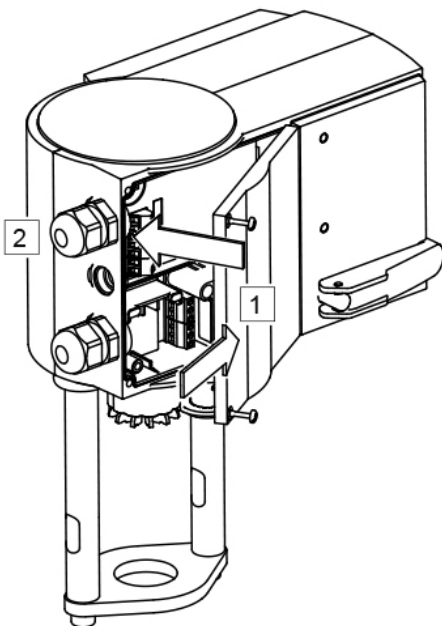


Fig. 11

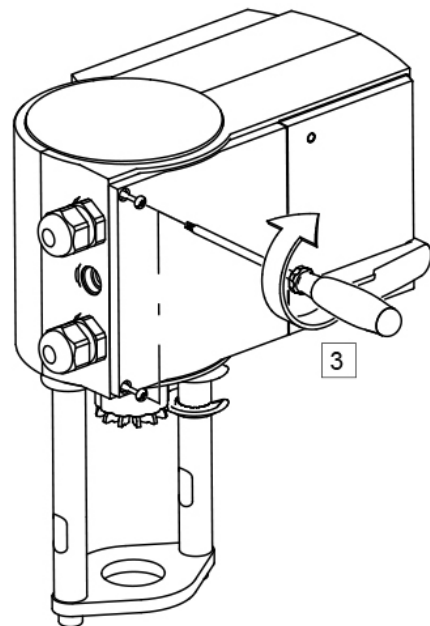
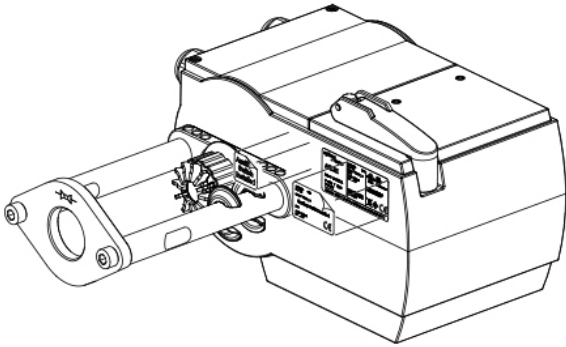


Fig. 12



<b>spirax/sarco</b>  <b>AEL3E</b>  Date Code: XXX-A  Country of Origin: Germany	24 Vac/dc 12W 50/60Hz max. -10T55 (80)°C IP66 Control Signal: DC 0...10V	 23BA E76024 23FR AVF2348F232U  Temperature Indicating & Regulating Equipment  
	Equipment Intended for connection to a Class 2 power source.	
Spirax-Sarco Limited, Charlton House, Cheltenham, Gloucestershire, GL53 8ER, GB		

<b>spirax/sarco</b>  <b>AEL3E</b>  Date Code: XXX-A  Country of Origin: Germany	24 Vac/dc 12W 50/60Hz max. -10T55 (80)°C IP66 Control Signal: DC 0...10V Pollution Deg. 3 Overvoltage Cat. III	 
	Spirax-Sarco Limited, Charlton House, Cheltenham, Gloucestershire, GL53 8ER, GB	

24 Vac/dc 12W 50/60Hz max. -10T55 (80)°C IP66 Control Signal: DC 0...10V Pollution Deg. 3 Overvoltage Cat. III	 
---	------

**Nota :**

Étiquette de recouvrement également requise pour la variante 24 V car le commutateur auxiliaire n'est pas approuvé par UL

Auxiliary  
Switch  
Installed

<b>spirax/sarco</b>  <b>AEL3E</b>  Date Code: XXX-A  Country of Origin: Germany	24 Vac/dc 12W 50/60Hz max. -10T55 (80)°C IP66 Control Signal: DC 0...10V Pollution Deg. 3 Overvoltage Cat. III	 
	Spirax-Sarco Limited, Charlton House, Cheltenham, Gloucestershire, GL53 8ER, GB	

Auxiliary  
Switch  
Installed

<b>spirax/sarco</b>  <b>AEL3E</b>  Date Code: XXX-A  Country of Origin: Germany	100-110 V~ 28 VA 50/60Hz max. -10T55 (80)°C IP66 Control Signal: DC 0...10V Pollution Deg. 3 Overvoltage Cat. III	 
	Spirax-Sarco Limited, Charlton House, Cheltenham, Gloucestershire, GL53 8ER, GB	

Auxiliary  
Switch  
Installed

<b>spirax/sarco</b>  <b>AEL3E</b>  Date Code: XXX-A  Country of Origin: Germany	230 V~ 28 VA 50/60Hz max. -10T55 (80)°C IP66 Control Signal: DC 0...10V Pollution Deg. 3 Overvoltage Cat. III	 
	Spirax-Sarco Limited, Charlton House, Cheltenham, Gloucestershire, GL53 8ER, GB	

Fig. 13