



UTD26 and UTD26Y

Stainless Steel Thermodynamic Steam Traps with Swivel Connector

Description

The UTD26 and UTD26Y series are stainless steel thermodynamic steam traps having an electro-less nickel preparation finish (ELNP), which is both energy efficient and corrosion resistant. The UTD26 does not have an integral strainer and requires a strainer to be installed upstream of the trap. The UTD26Y has an integral strainer. They are attached to a suitable pipeline connector by two bolts for quick and easy replacement.

Standards

These products fully comply with the requirements of the European Pressure Equipment Directive 2014/68/EU, the UK Pressure Equipment (Safety) Regulations (PER) and are fully ASME compliant.

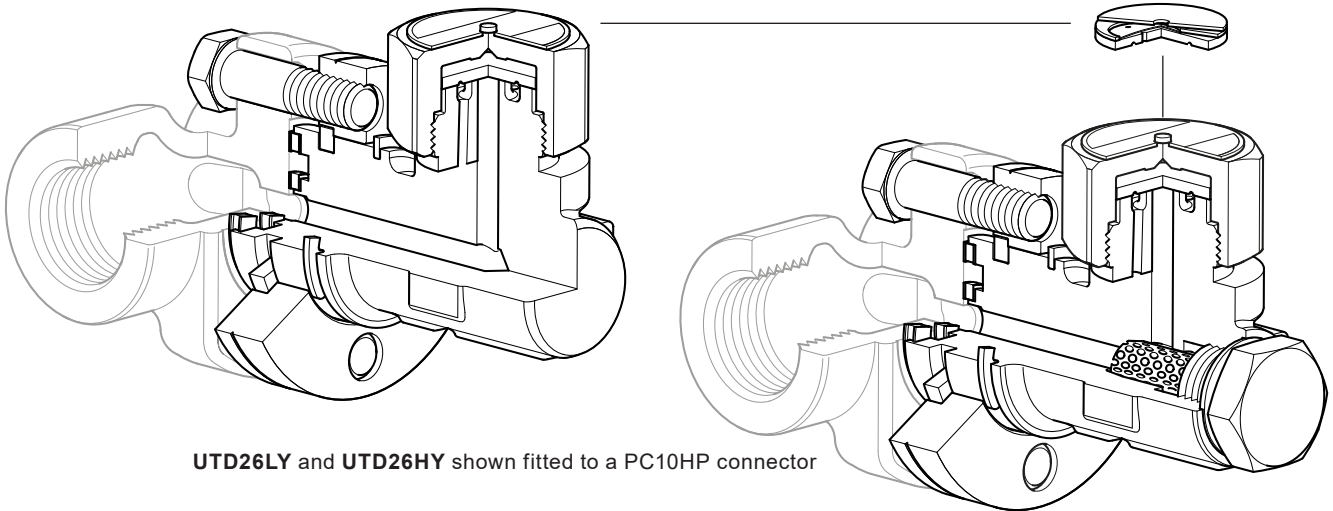
Certification

These products are available with certification to EN 10204 3.1.

Note: All certification/inspection requirements must be stated at the time of order placement.

UTD26L and UTD26H shown fitted to a PC10HP connector

UTD26LA, UTD26HA, UTD26LAY and UTD26HAY
 Anti-air-binding disc (optional)



UTD26LY and UTD26HY shown fitted to a PC10HP connector

Available types

Available types of UTD26Y with integral strainer	UTD26LY	Low capacity for mains drainage and tracing applications.	Note: Spirax Sarco recommend that UTD26 without strainer variants only be installed on a pipeline connector with integral strainer or when a Y-type strainer is installed upstream.
	UTD26HY	For higher capacity applications.	
	UTD26LAY	Low capacity for mains drainage and tracing applications plus anti-air-binding disc.	
	UTD26HAY	For higher capacity applications plus anti-air-binding disc.	
Available types of UTD26 without integral strainer	UTD26L	Low capacity for mains drainage and tracing applications.	
	UTD26H	For higher capacity applications.	
	UTD26LA	Low capacity for mains drainage and tracing applications plus anti-air-binding disc.	
	UTD26HA	For higher capacity applications plus anti-air-binding disc.	

Pipeline connector options

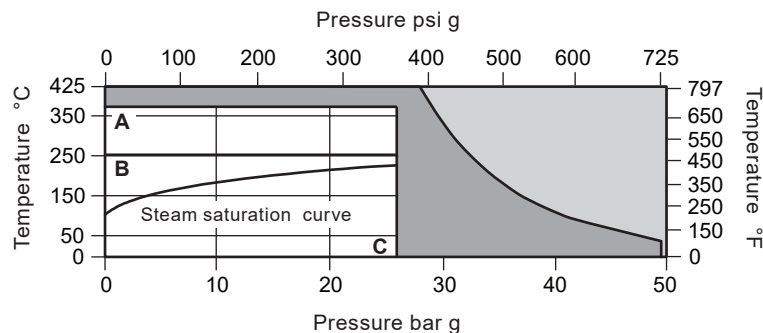
The UTD26 and UTD26Y can be fitted to a variety of pipeline connectors:

PC10HP	Straight connector	ASME 600	(TI-P128-10)
PC20	Connector with Y-type strainer	ANSI/ASME	(TI-P128-15)
PC3_	Straight connector with one piston isolation valve	ASME 600	(TI-P128-34)
PC4_	Straight connector with two piston isolation valves	ASME 600	(TI-P128-33)
STS17.2	Steam trapping station	PN40	(TI-P128-22)

Note: Spirax Sarco recommend that UTD26 without strainer variants only be installed on a pipeline connector with integral strainer or when a Y-type strainer is installed upstream of the trap.

See the relevant Technical Information sheet as listed above for details of the connections available for each pipeline connector.

Pressure/temperature limits (ISO 6552)



 The product **must not** be used in this region

 The product **should not** be used in this region

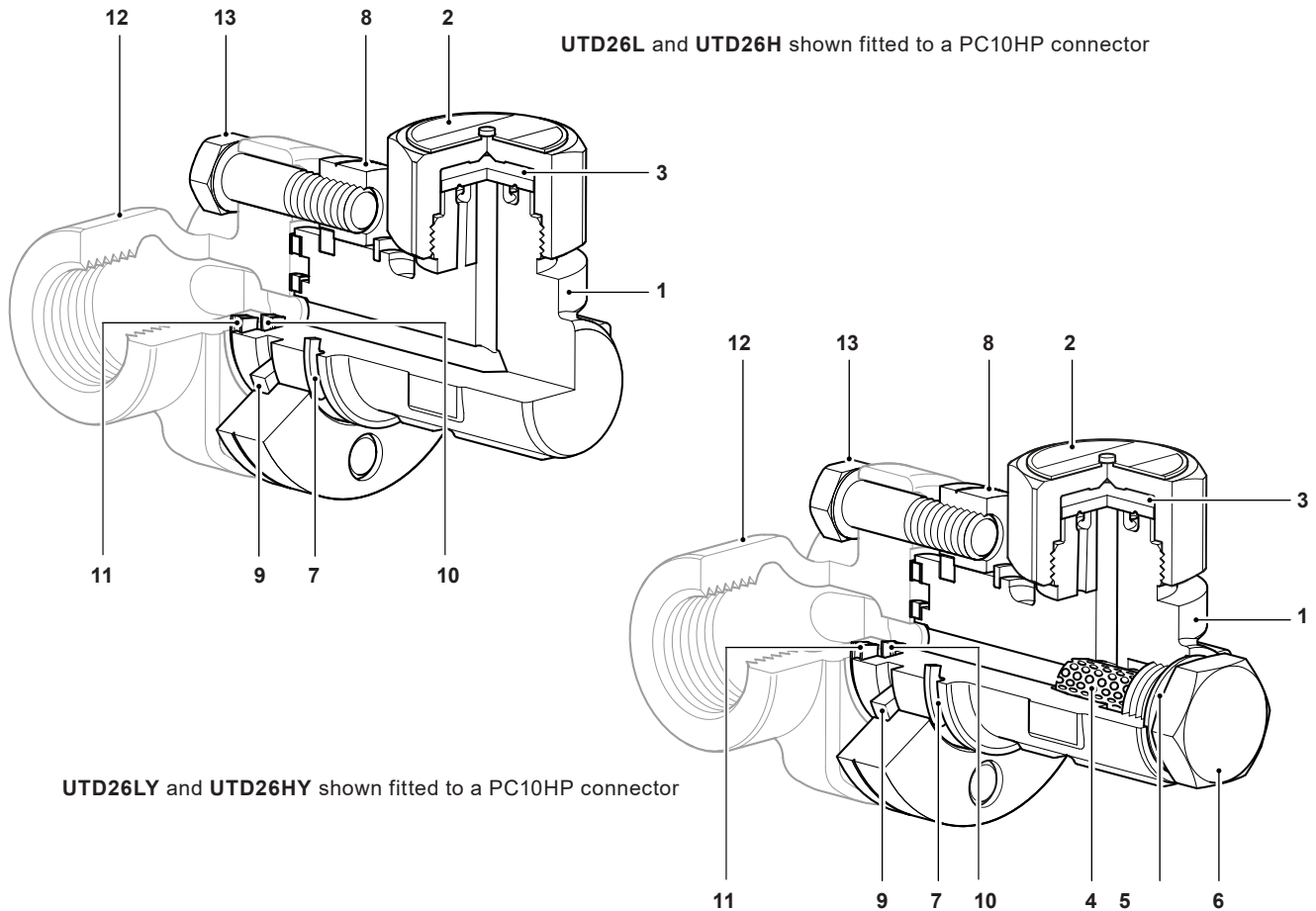
A - C UTD26LY and UTD26HY, UTD26L and UTD26H

B - C UTD26LAY and UTD26HAY, UTD26LA and UTD26HA

Note: The model of pipeline connector and connection selected will dictate the maximum operating limits of the complete assembly. Reference the specific pipeline connector Technical Information sheet as detailed in 'Pipeline connector options'.

Body design conditions		ASME B16.34 Class 300
PMA	Maximum allowable pressure	49.6 bar g @ 38°C (719 psi g @ 100 °F)
TMA	Maximum allowable temperature	425°C @ 28 bar g (797 °F @ 406 psi g)
Minimum allowable temperature		0 °C (32 °F)
PMO	Maximum operating pressure for saturated steam service	26 bar g (377 psi g)
TMO	Maximum operating temperature	UTD26L and UTD26H, UTD26LY and UTD26HY 370°C @ 26 bar g (698 °F @ 377 psi g)
		UTD26LA and UTD26HA, UTD26LAY and UTD26HAY 255°C @ 26 bar g (491 °F @ 377 psi g)
Minimum operating temperature		0 °C (32 °F)
ΔPMX	Maximum differential pressure	26 bar g (377 psi g)
PMOB Maximum operating backpressure should not exceed 80% of the upstream pressure		
Minimum inlet pressure for satisfactory operation		0.25 bar g (3.6 psi g)
Product is safe for use under full vacuum conditions		
Designed for a maximum cold hydraulic test pressure of:		75 bar g (1087.7 psi g)

Materials



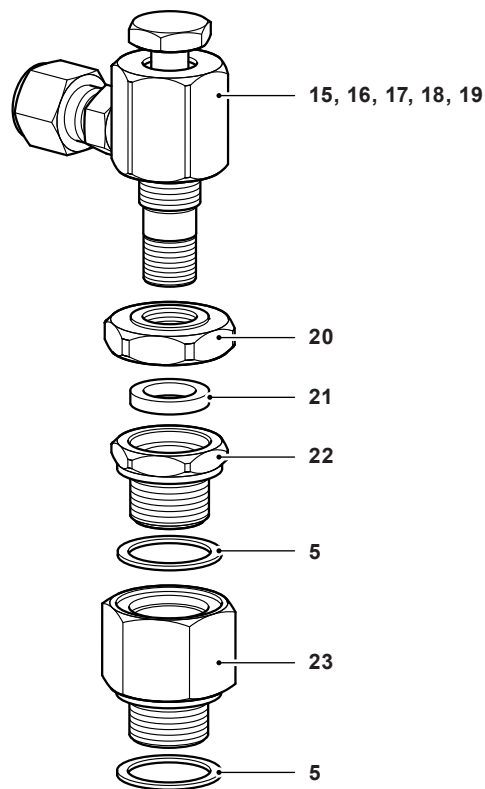
No.	Part	Material	
1	Body	Stainless steel – ELNP	A217 Gr. CA15
2	Cap	Stainless steel	A479 304
3	Disc	UTD26L and UTD26H, UTD26LY and UTD26HY	Stainless steel BS 1449 420 S45
		UTD26LA and UTD26HA, UTD26LAY and UTD26HAY	Stainless steel BS 1449 420 S45
4*	Strainer screen	Stainless steel	316L
5*	Strainer cap gasket	Graphite and Stainless steel	
6*	Strainer cap	Stainless steel	A479 304
7	Crescent ring	Carbon spring steel	
8	Flange	Alloy Steel – ELNP	A193 B7
9	Split ring	Stainless steel	A240 304
10	Inner gasket	Graphite/Stainless steel laminate	AISI 316 strip
11	Outer gasket	Graphite/Stainless steel laminate	AISI 316 strip
12	Pipeline connector	Stainless steel	A351 CF8
13	Connector screw	Alloy steel	A193 B7
14	Insulating cover (optional - not shown)	Aluminium	

*Note: These items are only available on UTD26Y variants.

Materials - Blowdown valves (when requested as an option)

No.	Part	Material	
15	Blowdown Valve	Stainless steel	A276 304L
16	Valve screw	Stainless steel	A276 304L
17	Valve cone	Stainless steel	AISI 440B
18	Retaining ring	Stainless steel	BS 2056 302 S26
19	Compression fitting	Carbon steel (Zinc plated)	
20	Locknut	Stainless steel	A276 431
21	Graphite ring	Die-formed graphite	
22	Blowdown bottom body	Stainless steel	A182 F304/F304L
23*	Adapter	Stainless steel	A479 304

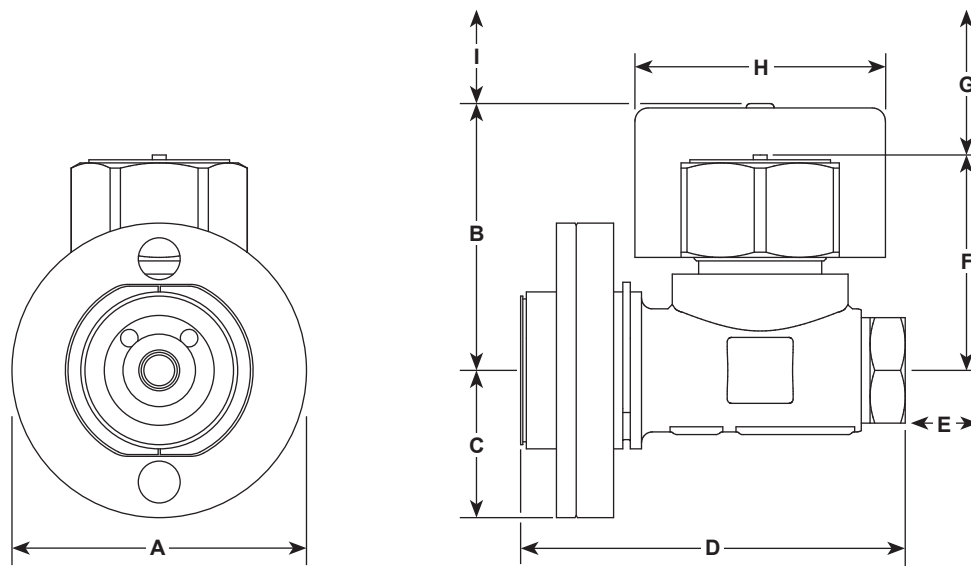
*Note: The adaptor is used in the place of the Strainer cap.



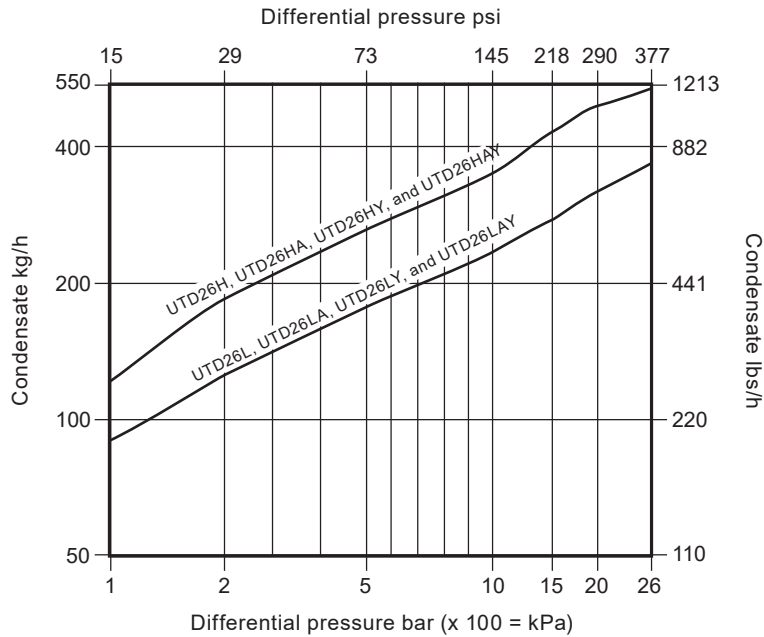
Dimensions/weights (approximate) in mm and kg

Unit	A	B	C	D*	E	F	G	H	I	Weight
Metric (mm)	67	65	33.5	86	35	49	15	57	38	0.75 kg
Imperial (inches)	2.64	2.6	1.32	3.4	1.4	1.93	0.6	2.24	1.5	1.65 lbs

*Note: For without strainer variants, D is 80mm (3").



Capacities



Optional extras

Insulating cover:

To prevent the trap being unduly influenced by excessive heat loss such as when subjected to low outside temperatures, wind, rain etc.

Integral Blowdown Valve:

A blowdown valve can be fitted by replacing the strainer cap with a blowdown valve adaptor. Having a blowdown valve fitted will aid the removal of debris from the inside of the strainer screen. This should be carried out periodically depending on the cleanliness of the system.

How to order

The UTD26_ is supplied in two parts:-

	PC10HP	Standard connection	
1. The swivel pipeline connector	PC3_	+ 1 integral ISO valve	Note: Any optional extras need to be specified at the time of order placement.
	PC4_	+ 2 integral ISO valves	
	STS17.2	+ 2 integral ISO valves	
2. The UTD26_ trap complete with inner and outer gaskets and two connector screws. Items will be supplied in a protective box.			

How to order example:

1 off Spirax Sarco DN20 PC10HP swivel pipeline connector with socket weld connections.

1 off Spirax Sarco UTD26LAY thermodynamic steam trap fitted with an anti-air-binding disc and integral blowdown valve. The unit is supplied complete with connector screws and gaskets.

1 off Insulating cover to fit a UTD26LAY.

Safety information, installation and maintenance

For full details see the Installation and Maintenance Instructions (IM-P154-05) supplied with the product.

Installation note:

The pipeline connector can be installed in either horizontal or vertical pipework but the trap body must always have the cap (2) uppermost.

Disposal:

This product is recyclable. No ecological hazard is anticipated with the disposal of this product providing due care is taken.

Spare parts

The spare parts available are shown in solid outline. Parts drawn in a grey line are not supplied as spares.

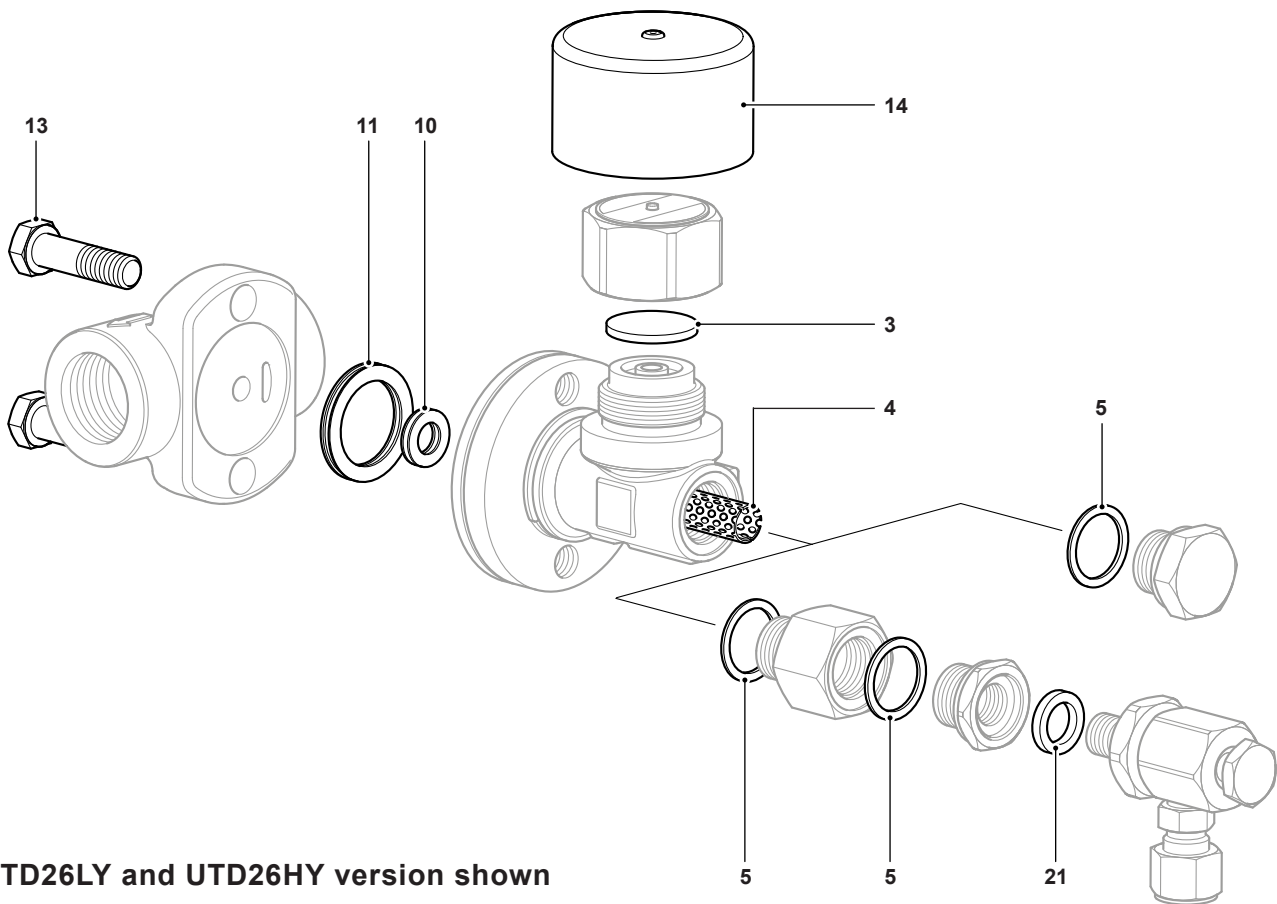
Available spares

Inner and outer gasket set (pack of 3)		10, 11
Connector screws and inner and outer gasket set		10, 11, 13
Disc (pack of 3)	UTD26LY and UTD26HY, UTD26L and UTD26H	3
Disc, strainer screen, and strainer cap gasket	UTD26LY and UTD26HY, UTD26LAY and UTD26HAY	3, 4, 5
Strainer cap gasket (pack of 10)	UTD26_Y	5
Strainer screen and strainer cap gasket	UTD26_Y	4, 5
Gland packing (pack of 3)	Blowdown valve	21
Insulating cover		14

How to order spares

Always order spare parts by using the description given in the column headed 'Available spares' and state the size and type of trap.

Example: 1 off packet of 3 discs for a Spirax Sarco UTD26LY thermodynamic steam trap with swivel connector.



UTD26LY and UTD26HY version shown