



UFT32

Sealed Stainless Steel Ball Float Steam Trap (for use with Pipeline Connectors)

Description

The UFT32 is an austenitic stainless steel maintenance free sealed ball float steam trap with an integral automatic air venting facility. It is designed for differential steam pressures up to 32 bar.

When installed with a suitable pipeline connector the UFT32 can easily and simply be removed without breaking into the pipeline, thus speeding up trap replacement with minimal system downtime. Pipeline connectors are available with screwed, socket weld and flanged end connections.

Capsule

The BP99/32 capsule which is used in the UFT32 is suitable for use on 150 °C superheat @ 0 bar g and 50 °C superheat @ 32 bar g.

Standards

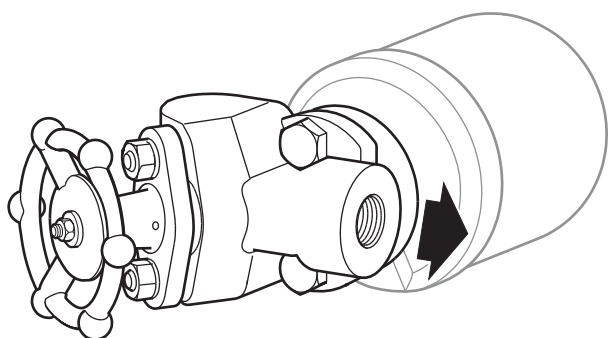
The body to cover welded joint complies with ASME Section IX and BS/EN 288.

This product fully complies with the requirements of the Pressure Equipment Directive (PED).

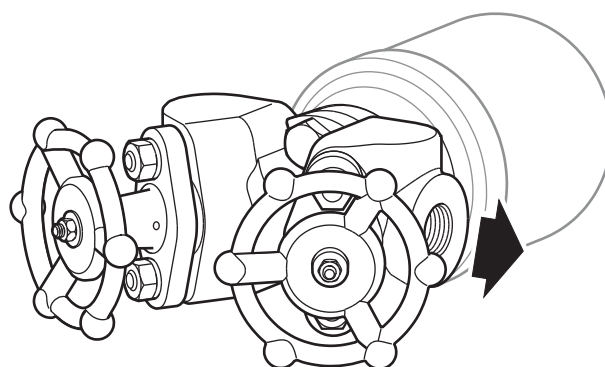
Certification

This product is available with certification to EN 10204 3.1.

Note: All certification/inspection requirements must be stated at the time of order placement.



UFT32 fitted to a PC3_ connector



UFT32 fitted to a PC4_ connector

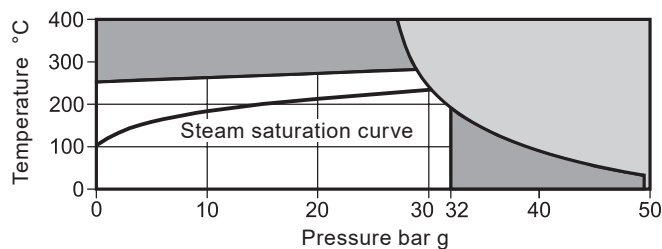
Pipeline connector options

The UFT32 can be fitted to a variety of pipeline connectors including:

PC10HP	Straight connector	ASME 600	(TI-P128-10)
PC20	Straight connector with 'Y' type strainer	ASME 300	(TI-P128-15)
IPC21	Straight connector with 'Y' type strainer and integral Spiratec sensor	ASME 300	(TI-P128-15)
PC3_	Straight connector with one piston isolation valve	ASME 600	(TI-P128-02)
PC4_	Straight connector with two piston isolation valves	ASME 600	(TI-P128-03)
STS17.2	Steam trap station		(TI-P128-22)

See the relevant Technical Information sheet as listed above for details of the connections available for each pipeline connector.

Pressure/temperature limits (ISO 6552)



 The product **must not** be used in this region.

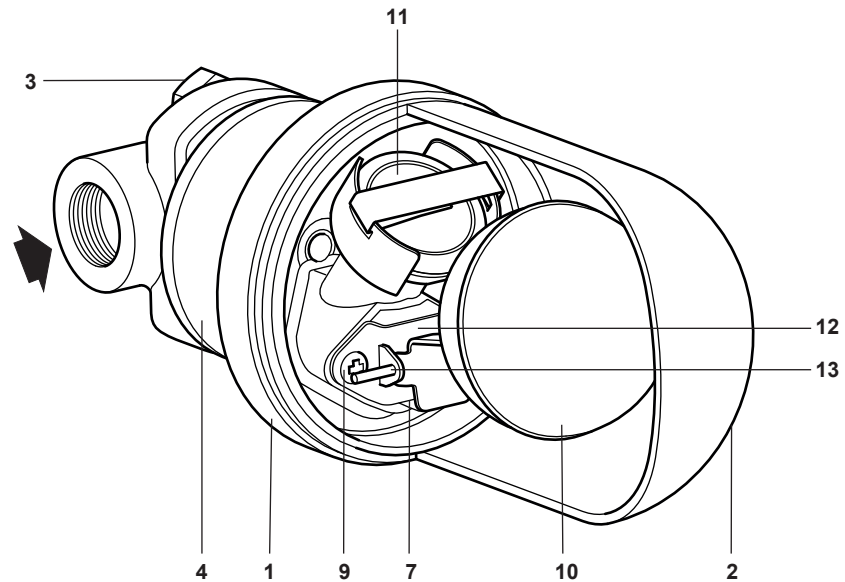
 The product should not be used in this region or beyond its operating range as damage to the internals may occur.

Note: The model of pipeline connector and connections selected will dictate the maximum operating limits of the complete assembly. Reference the specific pipeline connector Technical Information sheet as detailed in 'Pipeline connector options'.

Body design conditions	PN50 (ASME 300)
PMA Maximum allowable pressure	50 bar g @ 38 °C
TMA Maximum allowable temperature	400 °C @ 28 bar g
Minimum allowable temperature	-48 °C
PMO Maximum operating pressure for saturated steam service	32 bar g
TMO Maximum operating temperature	286 °C @ 29 bar g
Minimum operating temperature	0 °C
Note: For lower operating temperatures consult Spirax Sarco	
	UFT32-4.5 4.5 bar
	UFT32-10 10 bar
Δ PMX Maximum differential pressure	UFT32-14 14 bar
	UFT32-21 21 bar
	UFT32-32 32 bar
Designed for a maximum cold hydraulic test pressure of:	50 bar g

Materials

UFT32 fitted to a PC10HP connector

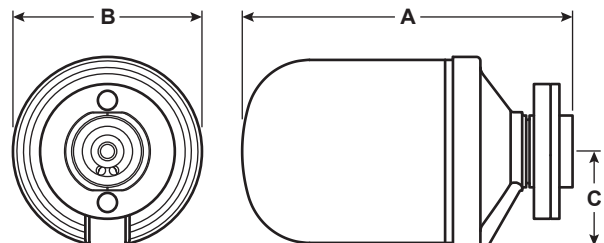


No.	Part	Material	
1	Body	Austenitic stainless steel 304	EN 10213-4 1.4308; ASTM A351 CF8
2	Cover	Austenitic stainless steel 304	EN 10028-7 1.4301; ASTM A240 Gr. 304
3	Connector screws	Steel	ASTM A193 B7
4	Flange	Alloy steel - ELNP	ASTM A193 B7
5*	Inlet gasket	Graphite/Stainless steel laminate	
6*	Outlet gasket	Graphite/Stainless steel laminate	
7	Main valve seat	Stainless steel	EN10088-3 1.4057
8	Main valve/air vent seat gasket	Stainless steel	EN10088-2 1.4307
9	Main valve assembly screws	Stainless steel	BS EN ISO3506 CI A2
10	Ball float and lever	Stainless steel	EN10088-2 1.4301
11	Air vent assembly	Stainless steel	
12	Pivot frame	Stainless steel	EN10088-3 1.4057
13	Pivot pin	Stainless steel	

* **Note:** Items 5 and 6 are shown clearly in the spares drawing overleaf.

Dimensions/weight (approximate) in mm and kg

A	B	C	Weight
168.5	94	47	2.02



Safety information, installation and maintenance

For full details see the Installation and Maintenance Instructions (IM-P146-01) supplied with the product.

Installation note:

The UFT32 can be installed on any pipeline connector, but must be installed in a horizontal plane with the 'TOP' label facing upwards. See separate Installation and Maintenance Instructions for Spirax Sarco pipeline connectors (IM-P128-06, IM-P128-11 and IM-P128-13).

Disposal

The UFT32 trap unit is manufactured from stainless steel and is therefore totally recyclable. No ecological hazard is anticipated with the disposal of this product provided due care is taken.

How to specify

Steam traps shall be sealed ball float traps UFT32 type suitable for a differential operating pressure of either 4.5, 10, 14, 21 or 32 bar. Traps to be zero maintenance and be connected to a separate pipeline connector by two screws to allow for quick and simple installation/replacement.

For example Spirax Sarco UFT32-32 ball float steam trap.

How to order

The UFT32 is supplied as follows:-

	PC10HP	Standard connection
	PC20	One integral ISO valve plus 'Y' type strainer
1. The swivel pipeline connector	IPC21	One integral ISO valve plus 'Y' type strainer and Spiratec sensor
	PC3_	One integral ISO valve
	PC4_	Two integral ISO valves
2. The STS17.2 steam trap station		
3. The UFT32 trap complete with inner and outer gaskets and two connector screws. These items will be supplied in a protective box.		

Note: Any optional extras need to be specified at the time of order placement.

How to order example:

1 off Spirax Sarco DN20 PC10HP pipeline connector with socket weld connections.

or

1 off DN20 STS17 steam trap station having socket weld connections.

and/or if you are ordering a replacement for an existing unit:

1 off Spirax Sarco UFT32-21 sealed stainless steel ball float steam trap.

plus

1 off Spirax Sarco insulating jacket to fit a UFT32.

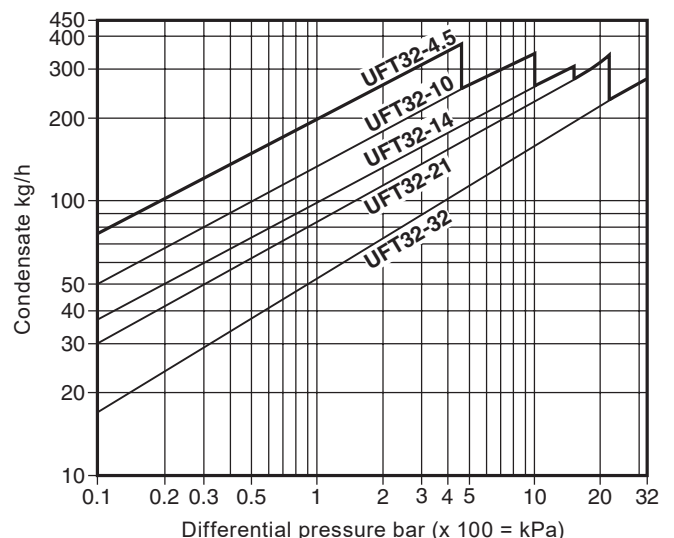
Please note: The above items are to be supplied with connector screws and gaskets.

Capacities (in accordance with ISO 7842)

Note: Capacities shown are based on discharge at saturation temperature. When discharging sub-cooled condensate the air vent provides extra capacity. Under start-up conditions the thermostatic air vent will be open, and will provide additional condensate capacity to the main valve assembly. This will provide a minimum of 100% increased capacity above the hot condensate figures shown.

For example:

A UFT32-14 has a hot condensate capacity of 195 kg/h at 5 bar differential. The cold start-up capacity will be a minimum of 390 kg/h.



Spare parts

The UFT32 is a sealed non-maintainable trap unit. No internal spares are available.

The spares that are available are shown in solid outline. Parts shown in a grey line are not available as spares.

Available spares

Connector screws (x 2)

3

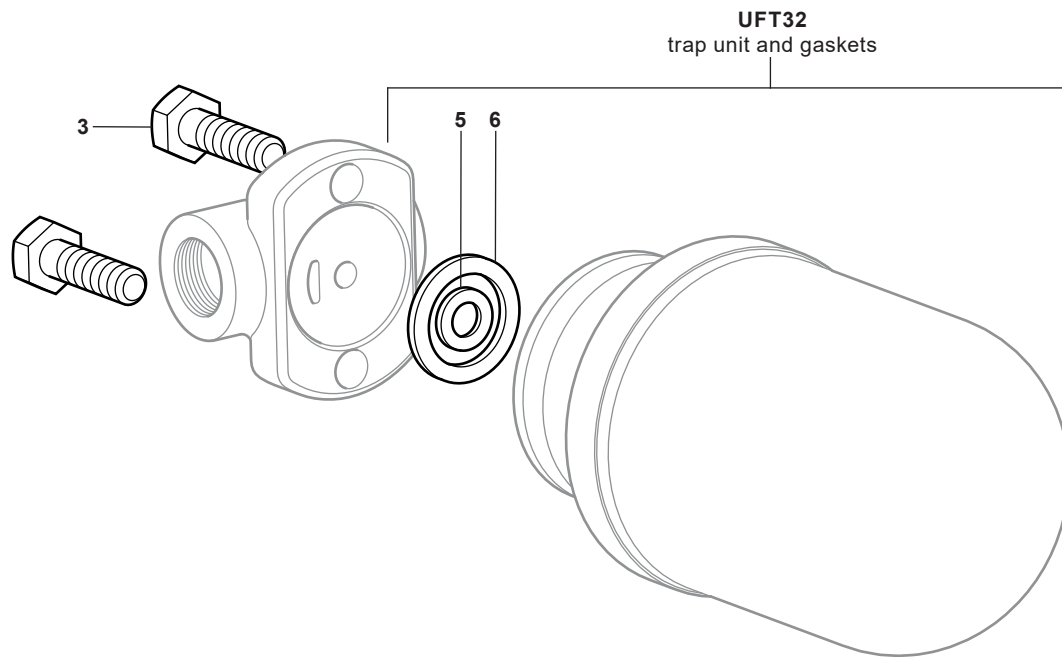
Complete UFT32 trap unit inclusive of gaskets and connector screws (3)

How to order spares



Always order spare parts by using the description given in the column headed 'Available spares' and state the size, model no. and pressure rating of the trap.

Example: 2 x Connector screws for a Spirax Sarco UFT32

sealed stainless steel ball float steam trap (for use with pipeline connectors).



Recommended tightening torques

Item	Part	 or mm		N m
3	Connector screws	3/16"	A/F	33