

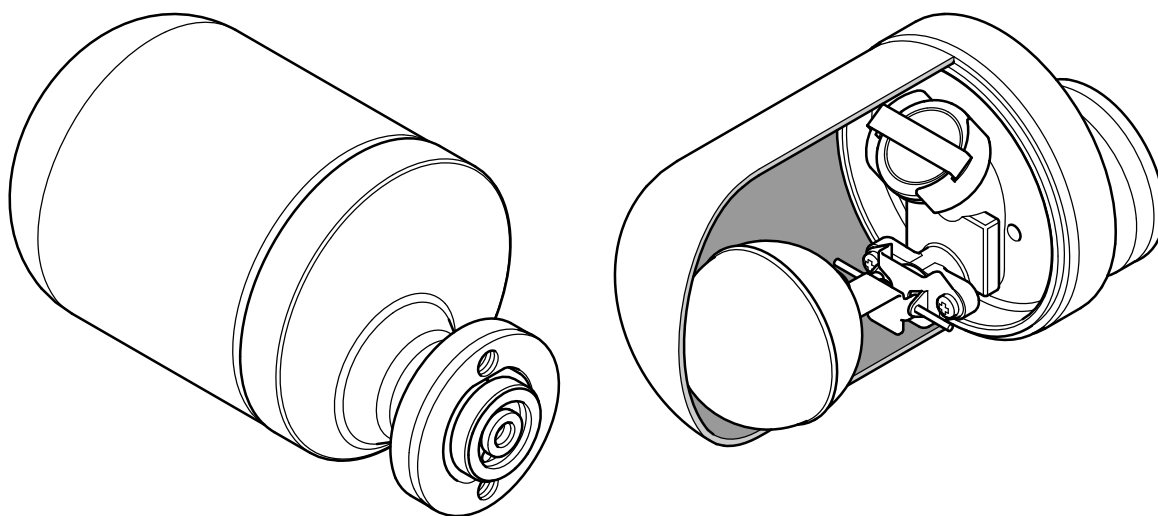


## UFT14HC

# Sealed Stainless Steel Ball Float Steam Trap (for use with Pipeline Connectors)

### Description

The UFT14HC is an austenitic stainless steel maintenance free sealed ball float steam trap with an integral automatic air venting facility. It is designed for differential steam pressures up to 14 bar g (203 psi g) on saturated steam services. When installed with a suitable pipeline connector, the UFT14HC can easily and simply be removed without breaking into the pipeline, thus speeding up trap replacement with minimal system downtime. Pipeline connectors are available with screwed, socket weld and flanged end connections.



### Media use

The UFT14HC is designed for use on Superheated/Saturated steam and condensate only, within the pressure and temperature limits shown in the section below.

### Standards

This product fully complies with the European Pressure Equipment Directive 2014/68/EU. The body to cover welded joint complies with ASME Section IX and BS EN ISO 15614-1.

### Certification and approvals

This product is available with certification to EN 10204 3.1.

**Note:** All certification/inspection requirements must be stated at the time of order placement.

### Typical applications

The UFT14HC is designed to remove condensate from process applications and must be fitted to a pipeline connector, the options are:-

<b>PC10HP</b>	Straight connector	ASME Class 600	(TI-P128-10)
<b>PC20</b>	Straight connector with 'Y' type strainer	ASME Class 300	(TI-P128-15)
<b>IPC21</b>	Straight connector with 'Y' type strainer and integral Spiratec sensor	ASME Class 300	(TI-P128-15)
<b>PC3_</b>	Straight connector with one piston isolation valve	ASME Class 600	(TI-P128-02)
<b>PC4_</b>	Straight connector with two piston isolation valve	ASME Class 600	(TI-P128-03)
<b>STS17.2</b>	Steam trapping station	ASME Class 300/PN40	(TI-P128-22)

## Range and options

The UFT14HC is available with internals designed to operate to either 4.5 bar g, 10 bar g or 14 bar g (differential pressures).

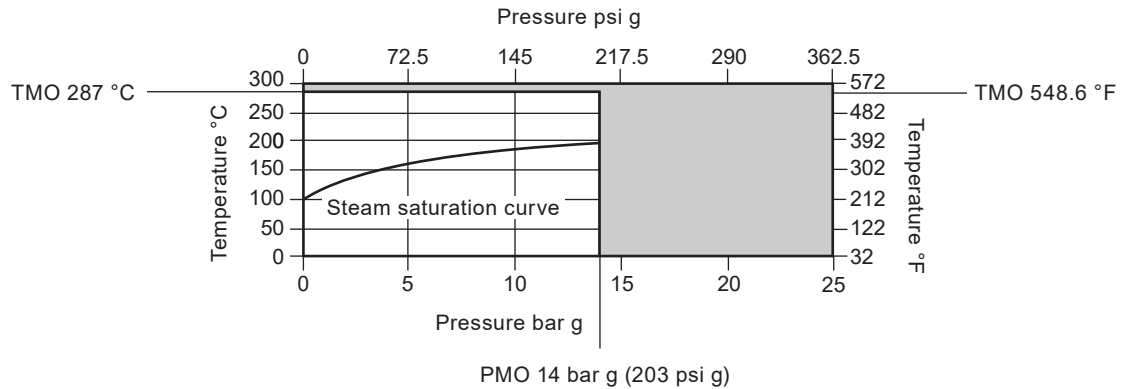
## Optional extras

An insulation jacket is available for this product IJ-UFT14HC.

## Sizes and connections

The UFT14HC has a single connection to a suitable pipeline pipeline connector (see options above). It is secured to the pipeline connector with two screws that are supplied with the trap.

## Pressure/temperature limits (ISO 6552)



The product should not be used in this region as it is outside of its operating range.

The product **must not** be used in this region.

**Note:** Please note the lower rating of either the pipeline connector or the steam trap will determine the maximum allowable pressure and temperature for the system.

Body design conditions		PN25	
PMA	Maximum allowable pressure	25 bar g @ 300 °C	363 psi g @ 572 °F
TMA	Maximum allowable temperature	300 °C @ 25 bar g	572 °F @ 363 psi g
TS <sub>min</sub>	Minimum allowable temperature	-10 °C	14 °F
PMO	Maximum operating pressure	14 bar g @ 287 °C	203 psi g @ 548.6 °F
TMO	Maximum operating temperature	287 °C @ 14 bar g	548.6 °F @ 203 psi g
Product is safe for use under full vacuum conditions			
Minimum operating temperature		0 °C	32 °F
Minimum allowable pressure		0 bar abs	
Maximum differential pressure	UFT14HC-4.5	4.5 bar	65.3 psi
	UFT14HC-10	10 bar	145 psi
	UFT14HC-14	14 bar	203 psi
Designed for a maximum cold hydraulic test pressure of:		38 bar	551 psi

The UFT14HC is suitable for both indoor and outdoor use above the minimum temperatures shown above.

## Nozzle loading

The UFT14HC is not designed to withstand external forces.

## Materials (for information only) UFT14HC is sealed and non serviceable

Part	Material	
Body	Austenitic stainless steel 304	EN10213-4 1.4308/ASTM A351 CF8
Cover	Austenitic stainless steel 304	EN 10028-7 1.4301/ASTM A240 304
Connector screws	Steel	ASTM A193 B7
Flange	Alloy steel - ELNP	ASTM A193 B7
Inlet gasket (shown on the spares drawing on page 5)	Graphite/Stainless steel laminate	
Outlet gasket (shown on the spares drawing on page 5)	Graphite/Stainless steel laminate	
Main valve seat	Stainless steel	EN10088-3 1.4057
Main valve/air vent seat gasket	Stainless steel	EN10088-2 1.4307
Main valve assembly screws	Stainless steel	BS EN ISO3506 CI A2
Ball float and lever	Stainless steel	EN10088-2 1.4301
Air vent assembly	Stainless steel	
Pivot frame	Stainless steel	EN10088-3 1.4057
Pivot pin	Stainless steel	ASTM A276 431

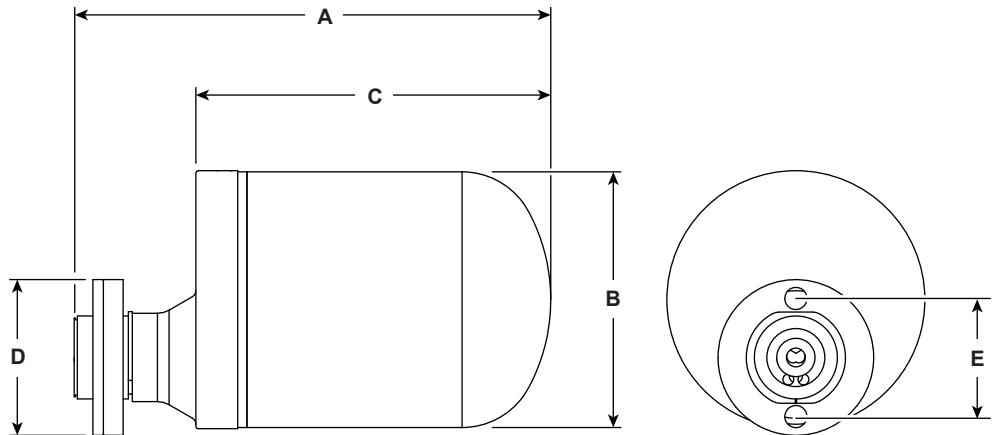
\* No silicone is contained in this product.

## External surface finish

The UFT14HC is supplied with unpainted natural investment casting/extrusion external finish.

## Dimensions (approximate) in mm and inches

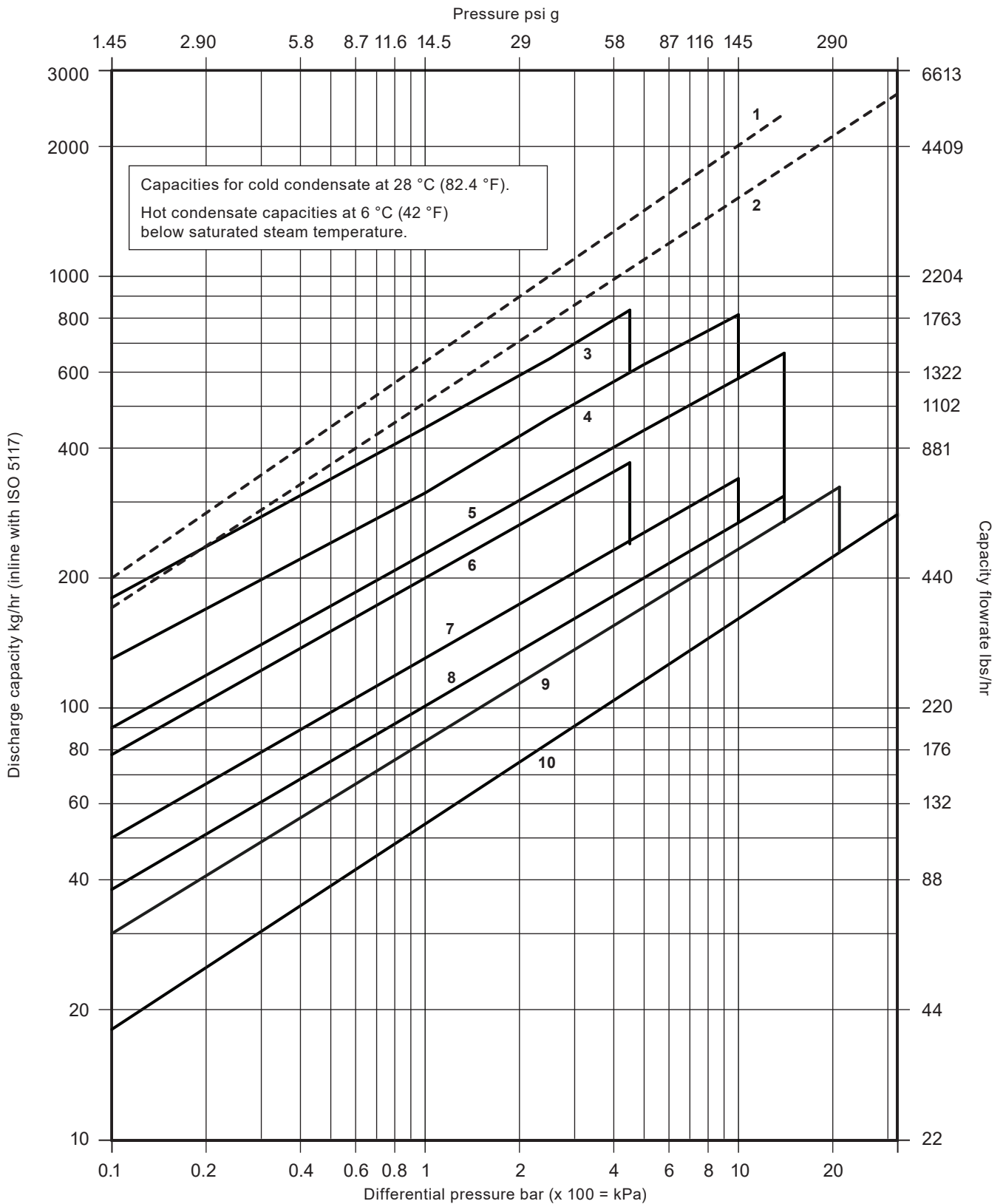
	mm	inches
<b>A</b>	205	8.07
<b>B</b>	110	4.33
<b>C</b>	153	6.02
<b>D</b>	67	2.64
<b>E</b>	50.8	2.0



## Weights (approximate) in kg and lbs

2.98 kg (6.57 lbs) (trap unit only)

# Capacities (in accordance with ISO 5117)



- |                         |               |              |            |             |
|-------------------------|---------------|--------------|------------|-------------|
| 1 UFT14HC Cold capacity | 3 UFT14HC-4.5 | 5 UFT14HC-14 | 7 UFT32-10 | 9 UFT32-21  |
| 2 UFT32 Cold capacity   | 4 UFT14HC-10  | 6 UFT32-4.5  | 8 UFT32-14 | 10 UFT32-32 |

For details of the UFT32 see separate literature TI-P146-05.

**Note:** The capacities are based on the trap only, in line with ISO 5117. Actual capacities are dependent on the pipeline connector used. Please contact Spirax Sarco for further details

## Orifice sizes

UFT14HC-4.5	5.7 mm	(0.22")
UFT14HC-10	4.0 mm	(0.157")
UFT14HC-14	3.4 mm	(0.134")

## Safety information, installation and maintenance

For full details see the Installation and Maintenance Instructions (IM-P712-03) supplied with the product.

### How to specify

Steam traps shall be sealed ball float traps UFT14HC type suitable for a differential operating pressure of either 4.5, 10 or 14 bar. Traps are maintenance free and connected to a separate pipeline connector by two screws to allow for quick and simple installation/replacement. For example Spirax Sarco UFT14HC-4.5 ball float steam trap.

### How to order

1 off Spirax Sarco UFT14HC-10 stainless steel sealed ball float steam trap with 3.1 certificate.

**Important:** The UFT14HC must be fitted to a pipeline connector to work. See above and individual product technical information sheets for options. The pipeline connector and insulation jackets should be ordered as separate lines on the order.

## Spare parts

The UFT14HC is a sealed non-maintainable trap unit. No internal spares are available.

The spares that are available are shown in solid outline. Parts shown in a grey line are not available as spares.

## Available spares

Connector screws (x2)	<b>3</b>
Gasket set	<b>5 and 6</b>

## Accessories

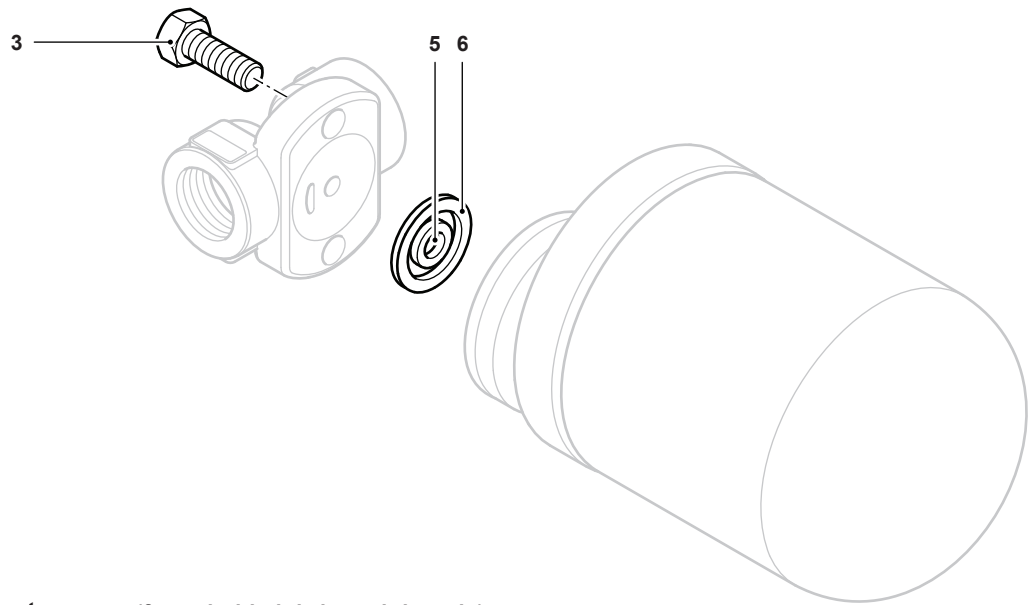
Insulation jacket is available.

## How to order spares



Always order spare parts by using the description given in the column headed 'Available spares' and state the size, model no. and pressure rating of the trap.

### Example:

2 x Connector screws for a Spirax Sarco UFT14HC-4.5 sealed stainless steel ball float steam trap (for use with pipeline connectors)



## Recommended tightening torques (for suitably lubricated threads)

Item	Part			N m	ft.lbs
3	Connector screws	3/16" A/F	3/8" UNC	33	24.4

## REACH statement

Please visit the Spirax Sarco product compliance web pages

<https://www.spiraxsarco.com/product-compliance>

for up to date information on any substances of concern that may be contained within this product. Where no additional information is provided on the Spirax Sarco product compliance web page, this product may be safely recycled and/or disposed providing due care is taken. Always check your local recycling and disposal regulations.