



Cert. No. LRQ 0963008

ISO 9001

## Type 58 Temperature Control Valve

### Description

The standard Type 58 temperature control is a three port mixing or diverting valve suitable for heating or cooling applications on water or oil systems.

### Valve option

Valves are available for use on sea water or brine applications. Please contact Spirax Sarco for further information.

### Sizes and pipe connections

DN50, 80 and 100  
Standard flange: EN 1092-1 PN16

### Temperature ranges

There is a choice of five sensor types: **A, B, C, D** or **E**.  
In each range the first temperature shown is that at which the valve starts to open to port **Z**.  
The second temperature shown is that at which the piston has completed its travel and the valve is fully open to port **Z** and port **X** is closed.

Range A	57°C to 68°C
Range B	63°C to 74°C
Range C	74°C to 85°C
Range D	82°C to 93°C
Range E	40°C to 52°C

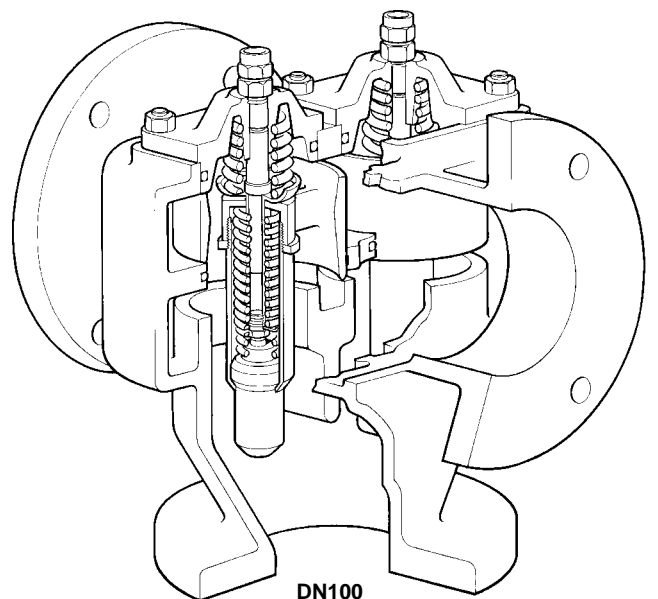
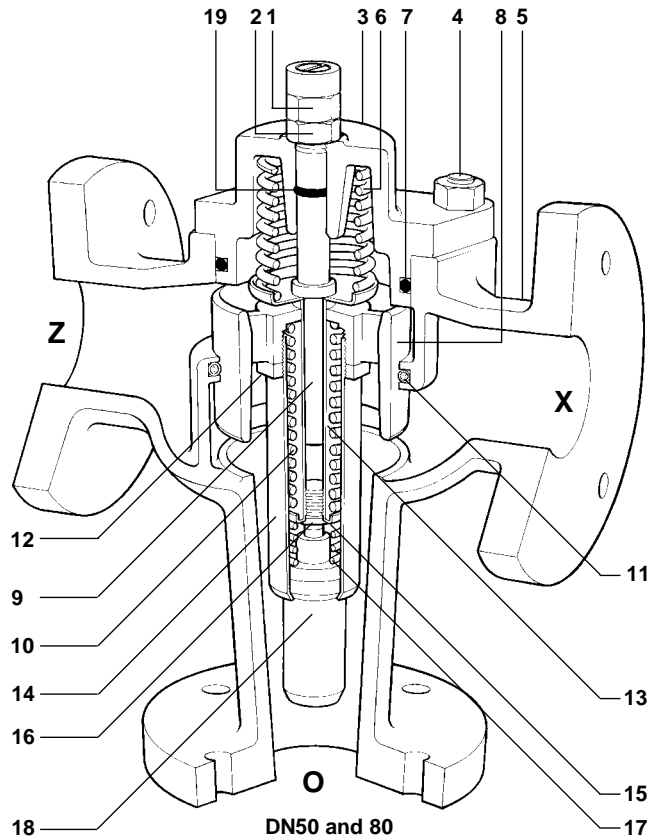
**Limiting conditions** 6.9 bar.

**Capacities** See TI-P041-01.

### Materials

No.	Part	Material	
1	Adjustment nut	Brass	BS 2874 CZ 121
2	Adjustment lock-nut	Brass	BS 2874 CZ 121
3	Cover	Cast iron	BS 1452 Gr 14
4	Cover studs and nuts	Steel 7/16" UNF x 35 mm	BS 1768/1 BS 2693/R
5	Body	Cast iron	BS 1452 Gr. 14
6	Overload spring	Stainless steel	BS 2056 302 S26
7	Cover sealing ring	Synthetic rubber nitrile	
8	Piston	Gunmetal	BS 1400 LG2
9	Stem	Brass	BS 2874 CZ 122
10	Main return spring	Stainless steel	BS 2056 302 S26
11	Piston sealing ring	PTFE and synthetic rubber	
12	Sensor tube lock-nut	Brass	BS 2874 CZ 126
13	Fail-safe tube	Brass	
14	Sensor tube	Brass EN 12451 CW707R H130/170	
15	Spring plate	Brass	BS 2870 CZ 108
16	Hexagon plug	Brass	BS 2874 CZ 121
17	Retaining spring	Stainless steel	BS 2056 302 S26
18	Sensor	Copper and phosphor bronze	
19	Rod sealing ring	Rubber nitrile	

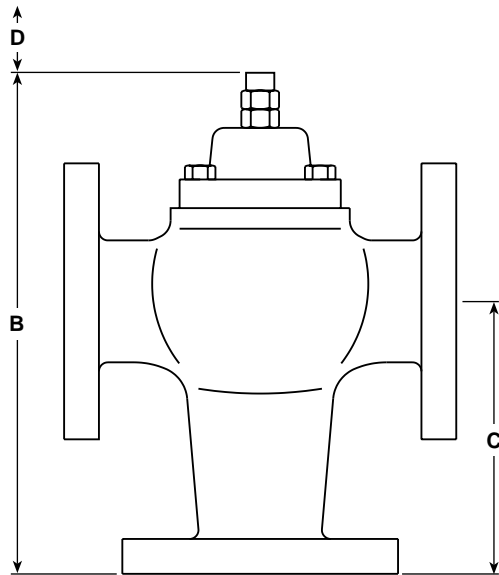
**Note:** The DN100 uses two piston assemblies in parallel.



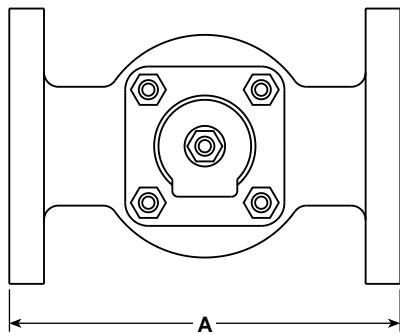
## Dimensions/weights (approximate) in mm and kg

Size	A	B	C	D*	E	Weight
DN50	219	275	152	247	-	14.5
DN80	250	290	171	247	-	19.9
DN100	318	330	197	247	300	38.7

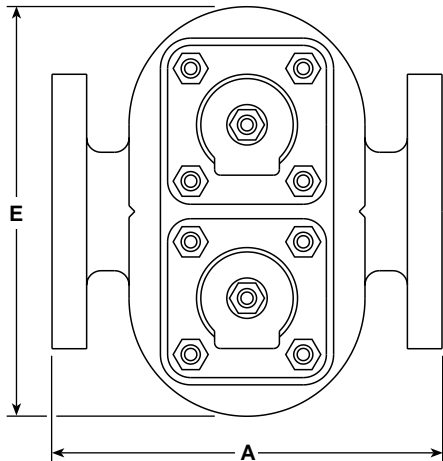
\* Clearance for parts withdrawal.



DN50 and 80



DN100



## Safety information, installation and maintenance

For full details see the Installation and Maintenance Instructions (IM-P041-03) supplied with the product.

**Note:** Typical installations are shown on TI-P041-01.

## How to order

**Example:** 1 off Spirax Sarco DN100 Type 58 temperature control valve having a temperature range B. The flange connection is to be EN 1092-1 PN16.

## Spare parts

The spare parts available are shown in heavy outline. Parts drawn in broken line are not supplied as spares.

### Available spares

Piston assembly (state temperature range)	1, 2, 3, 6, 7, 8, 10, 11, 12, 14, 15, 16, 17, 18, 19, 9
Fail-safe assembly	19, 9
Sensor	18
Adjustment nuts	1, 2
Set of sealing rings	7, 11, 19
Set of cover studs and nuts (set of 4)	4

**Note:** The spare parts above relate to one piston assembly only. The DN100 has two piston assemblies in parallel. To obtain complete sets the spares should be doubled.

The internals for sizes DN80 and 100 are interchangeable.

### How to order spares

Always order spares by using the description given in the column headed 'Available spares' and state the size, type and temperature range of the valve.

**Example:** 2 - Piston assemblies, for a Spirax Sarco DN100 Type 58 temperature control valve having a temperature range A.

