




# TP1, TP2, TP3 and Spacer Ring Stainless Steel Temporary Strainers

## Description

Temporary strainers have been designed to fit between two flanges and are generally used during commissioning and start-up to remove any coarse debris. They are available in three designs (TP1, TP2 and TP3 as illustrated below) to suit a wide range of fluids for applications in process lines, hot water systems, steam and condensate systems etc. The standard screens are manufactured using 304L or 316L stainless steel and have 3 mm perforations. Other perforations or material of construction are available on request.

Temporary strainers are not intended to be used for permanent applications. Contact Spirax Sarco when permanent applications are required. After commissioning and start-up the temporary strainer should be removed from the pipeline and replaced with a spacer ring.

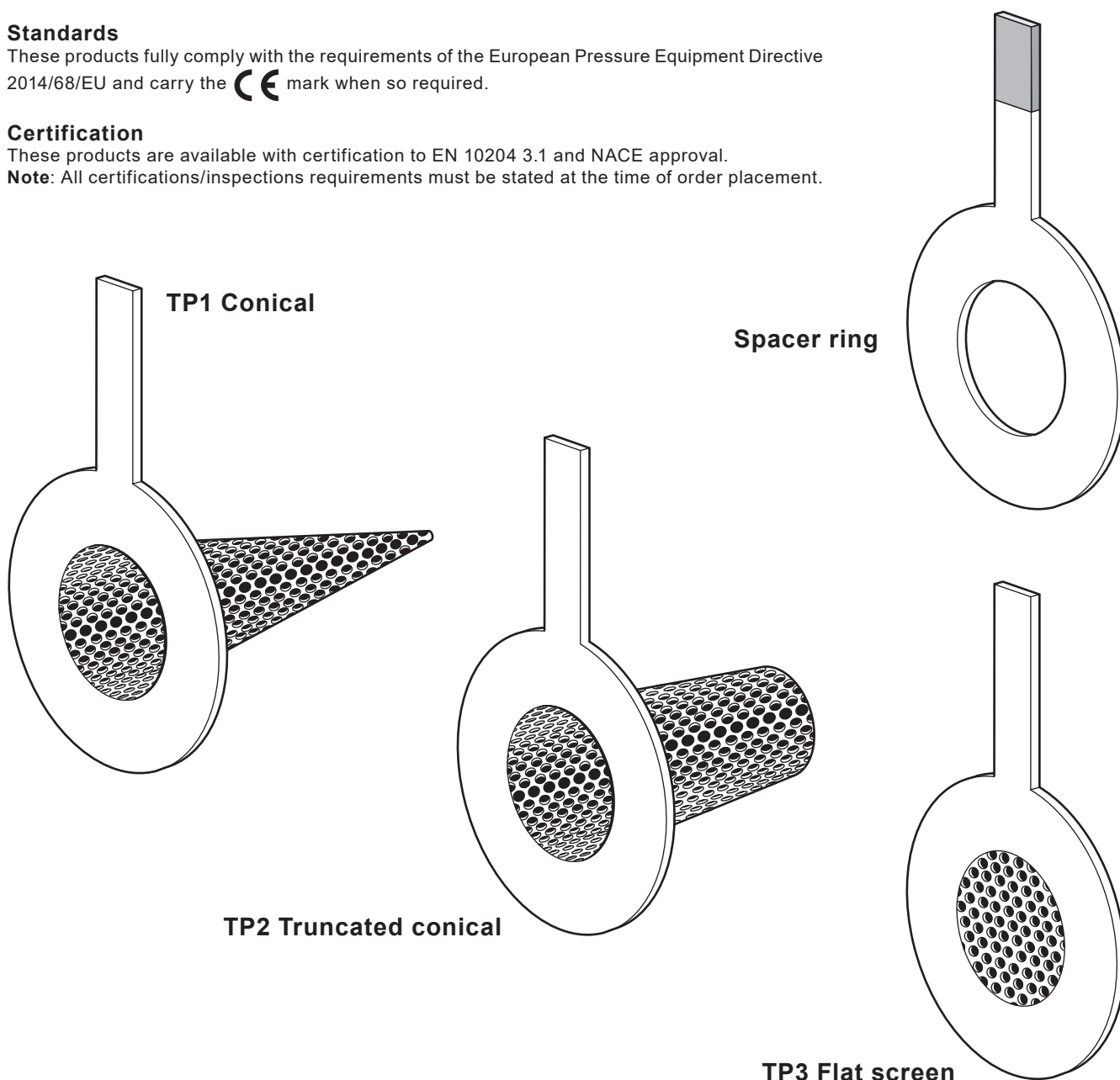
## Standards

These products fully comply with the requirements of the European Pressure Equipment Directive 2014/68/EU and carry the  mark when so required.

## Certification

These products are available with certification to EN 10204 3.1 and NACE approval.

**Note:** All certifications/inspections requirements must be stated at the time of order placement.



## Sizes and pipe connections

DN40 - DN700 (1½" – 28")

Designed for installation between the following flanges:

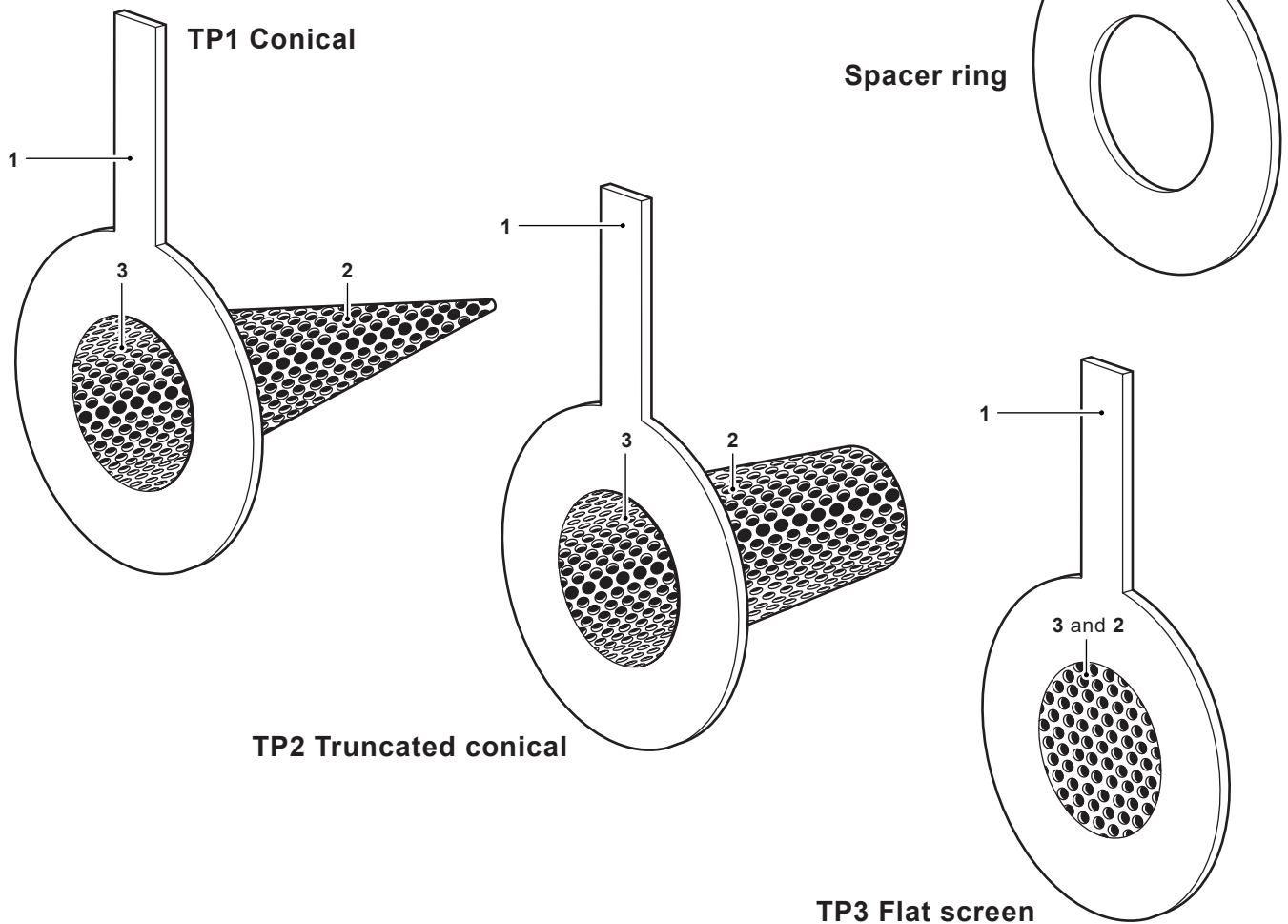
EN 1092 PN10, PN16, PN25 and PN40 or ASME 150, ASME 300 and ASME 600

### Please note

The spacer ring handle is painted blue to differentiate it from a temporary strainer when fitted between the flanges on the pipeline.

## Materials

No.	Part	Material	
1	Collar	Stainless steel	AISI 304L or AISI 316L
2	Screen	Stainless steel	AISI 304L or AISI 316L
3	Mesh lining	Stainless steel	AISI 304L or AISI 316L

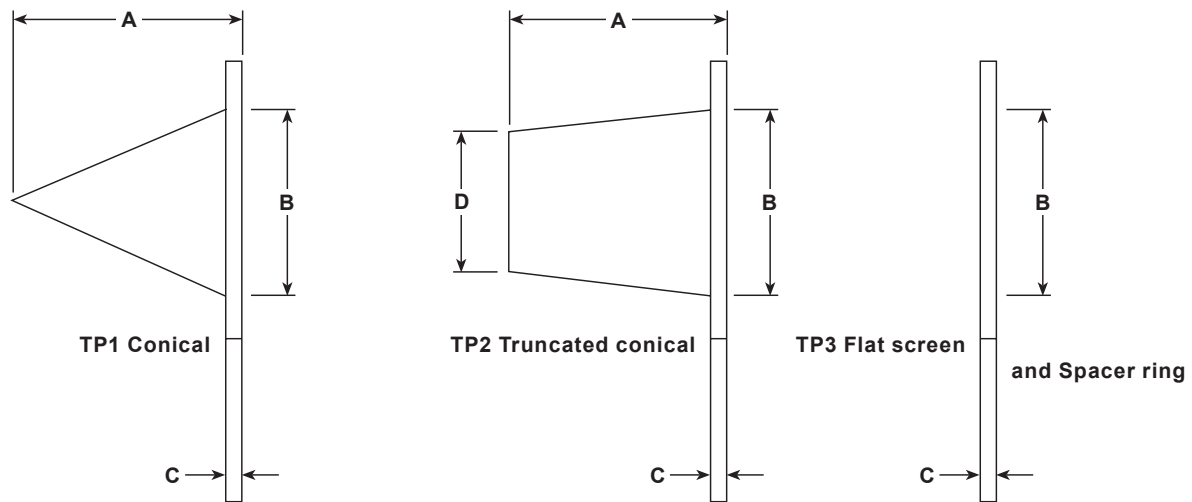


## Optional extras

The following optional extras are available for all unit sizes at an extra cost and must be stated at the time of order placement:

<b>Perforations</b>	3 mm (standard), 1.6 mm and 6 mm. Contact Spirax Sarco for availability of perforations not displayed.
<b>Mesh</b>	M40, M100 and M200. Contact Spirax Sarco for availability of mesh screens not displayed.
<b>Screen material</b>	AISI 304L (standard), AISI 316L and Monel 400.
<b>Specific surface finish for collar</b>	Ra 0.025 µm to 50 µm.

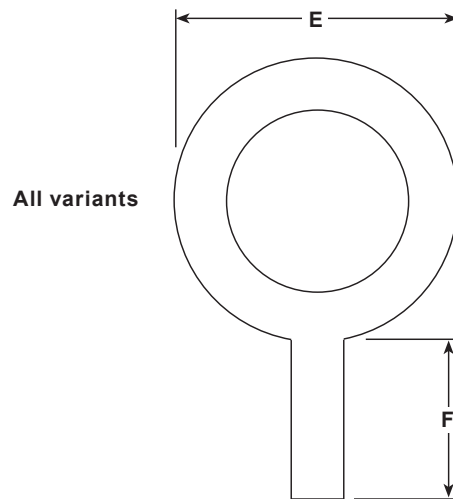
**Dimensions/weights (approximate) in mm and kg**



Size	A			B	C	D	Weight *	
	100% column = The standard unit						PN	ASME
	(100%)	(150%)	(200%)					
DN40 - 1½"	50	100	140	31	2	20	0.30	0.24
DN50 - 2"	68	115	150	44	2	32	0.38	0.30
DN65 - 2½"	88	140	180	56	2	38	0.45	0.40
DN80 - 3"	108	165	230	67	2	50	0.65	0.60
DN100 - 4"	140	215	290	88	2	65	1.00	0.60
DN125 - 5"	173	268	355	117	2	83	1.30	1.10
DN150 - 6"	210	330	430	139	2	105	2.00	1.60
DN200 - 8"	282	430	585	181	3	145	3.60	2.80
DN250 - 10"	355	535	685	228	3	185	5.00	3.90
DN300 - 12"	427	635	825	276	3	225	6.50	5.30
DN350 - 14"	477	660	890	320	3	260	8.40	6.40
DN400 - 16"	558	750	990	368	5	300	11.80	9.20
DN450 - 18"	670	840	1120	415	5	345	12.40	11.60
DN500 - 20"	704	940	1245	466	5	380	14.60	13.50
DN600 - 24"	848	1120	1475	568	5	460	20.30	18.60
DN700 - 28"	993	1538	2072	686	5	550	27.80	26.00

\* Please note that the weights displayed are approximate and only applicable for the TP1 and TP2

## Dimensions/weights (approximate) in mm and kg



Size	E							F	Weight *	
	PN10	PN16	PN25	PN40	ASME 150	ASME 300	ASME 600		PN	ASME
DN40 - 1½"	88	88	88	88	80	90	90	102	0.30	0.24
DN50 - 2"	102	102	102	102	98	105	105	102	0.38	0.30
DN65 - 2½"	122	122	122	122	117	124	124	102	0.45	0.40
DN80 - 3"	138	138	138	138	130	143	143	102	0.65	0.60
DN100 - 4"	158	158	162	162	168	175	187	102	1.00	0.60
DN125 - 5"	188	188	188	188	191	210	235	127	1.30	1.10
DN150 - 6"	212	212	218	218	216	245	260	127	2.00	1.60
DN200 - 8"	268	268	278	285	275	302	314	127	3.60	2.80
DN250 - 10"	320	320	335	345	333	356	394	153	5.00	3.90
DN300 - 12"	370	378	395	410	403	416	450	153	6.50	5.30
DN350 - 14"	430	438	450	465	445	479	486	153	8.40	6.40
DN400 - 16"	482	490	505	535	508	533	560	153	11.80	9.20
DN450 - 18"	532	550	555	560	543	591	605	203	12.40	11.60
DN500 - 20"	585	610	615	615	600	648	675	203	14.60	13.50
DN600 - 24"	685	725	720	735	711	768	784	203	20.30	18.60
DN700 - 28"	800	795	820	840	800	800	800	203	27.80	26.00

\* Please note that the weights displayed are approximate and only applicable for the TP1 and TP2

## Safety information, installation and maintenance

For full details see the installation and maintenance instructions (IM-P169-07) supplied with the product.

### Warning

Carry strainers with gloves.

### Disposal

These products are recyclable. No ecologic hazard is anticipated with disposal of these products providing due care is taken.

## How to order

**Example:** 1 off Spirax Sarco DN100 TP1 temporary conical shaped strainer having the standard 100% stainless steel screen with 3 mm perforations, for installation between EN 1092 PN25 flanges.