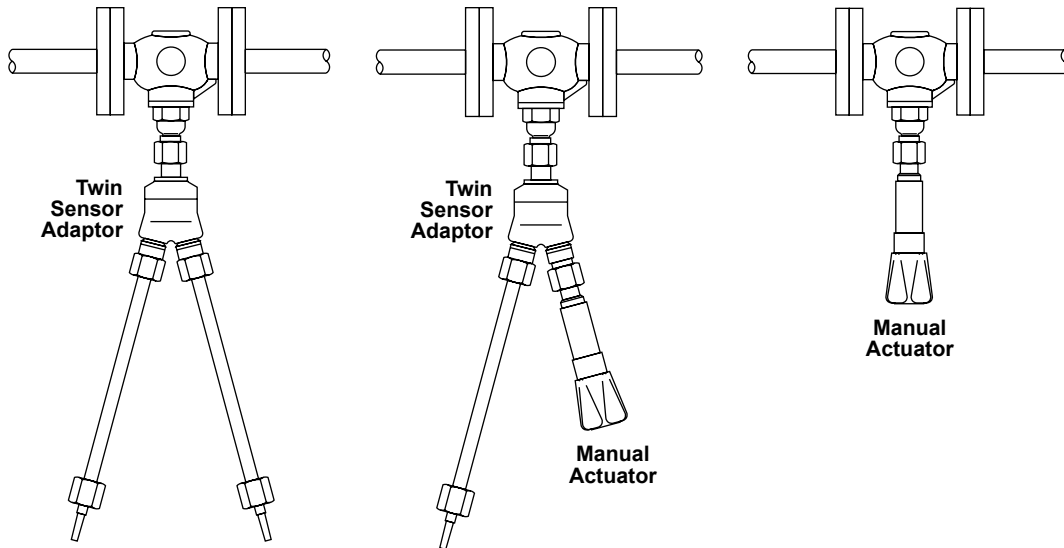


## Temperature Control Ancillaries



### Twin sensor adaptor

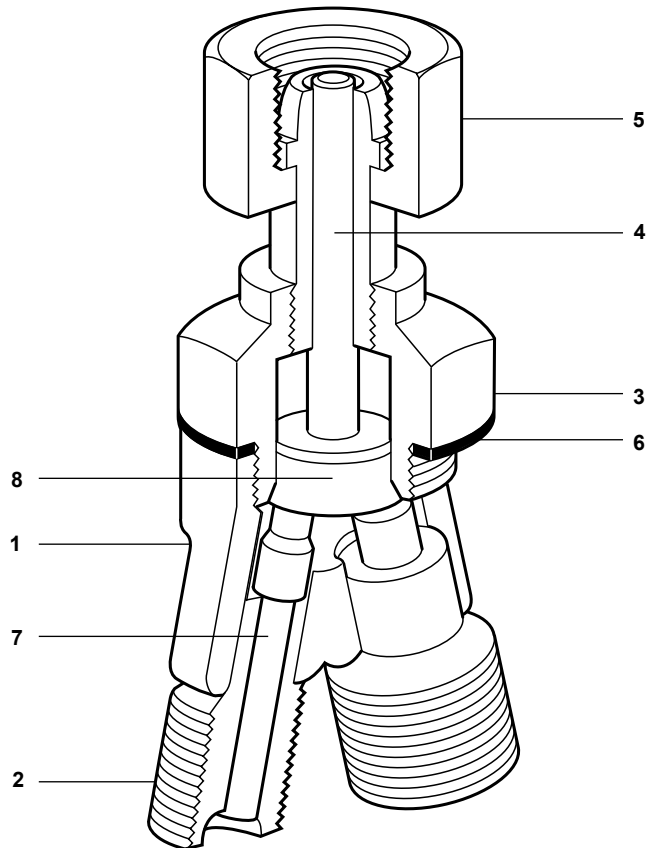
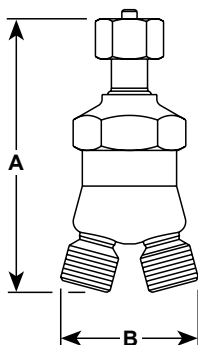
When coupled to a 2-port or 3-port valve allows the valve to be operated by either actuator.

### Materials

No.	Part	Material	
1	Body	Brass	BS 2872 CZ 122
2	Connector	Brass	BS 2874 CZ 121
3	Lower body	Brass	BS 2874 CZ 121
4	Nipple	Brass	BS 2874 CZ 121
5	Valve coupling nut	Brass	BS 2874 CZ 121
6	Body sealant	Loctite retainer 620 - Green	
7	Push rod	Brass	BS 2874 CZ 121
8	Plunger	Brass	BS 2874 CZ 121

### Dimensions/weights (approximate) in mm and kg

A	B	Weight
108	60	0.72



### Manual actuator

When coupled to a 2-port or 3-port valve, it enables the valve to be manually operated.

### Tamper proof

The unit is provided with a removable drive screw to avoid unauthorised personnel tampering with the setting.

### Materials

Brass with plastic adjustment head.

### Dimensions/weights (approximate) in mm and kg

A	B	Weight
125	54	0.2

