



TI-P187-02  
 CMGT Issue 5

## TDS46M

### Stainless Steel

# Thermodynamic Steam Trap with Maintainable Seat

#### Description

The TDS46M is a stainless steel, thermodynamic steam trap that has been specifically designed for low capacity applications up to 46 bar g (where pipe connections permit). As standard the unit is available with either screwed, socket weld or flanged connections.

#### TDS46M benefits:

- Integral strainer.
- Integral air vent.
- Insulation cap.
- Replaceable seat for ease of maintenance.

#### Optional extras

At extra cost a **BDV1** integral blowdown valve can be pre-fitted to the strainer cap, please specify at the time of order placement.

#### Standards

This product fully complies with the requirements of the European Pressure Equipment Directive 97/23/EC.

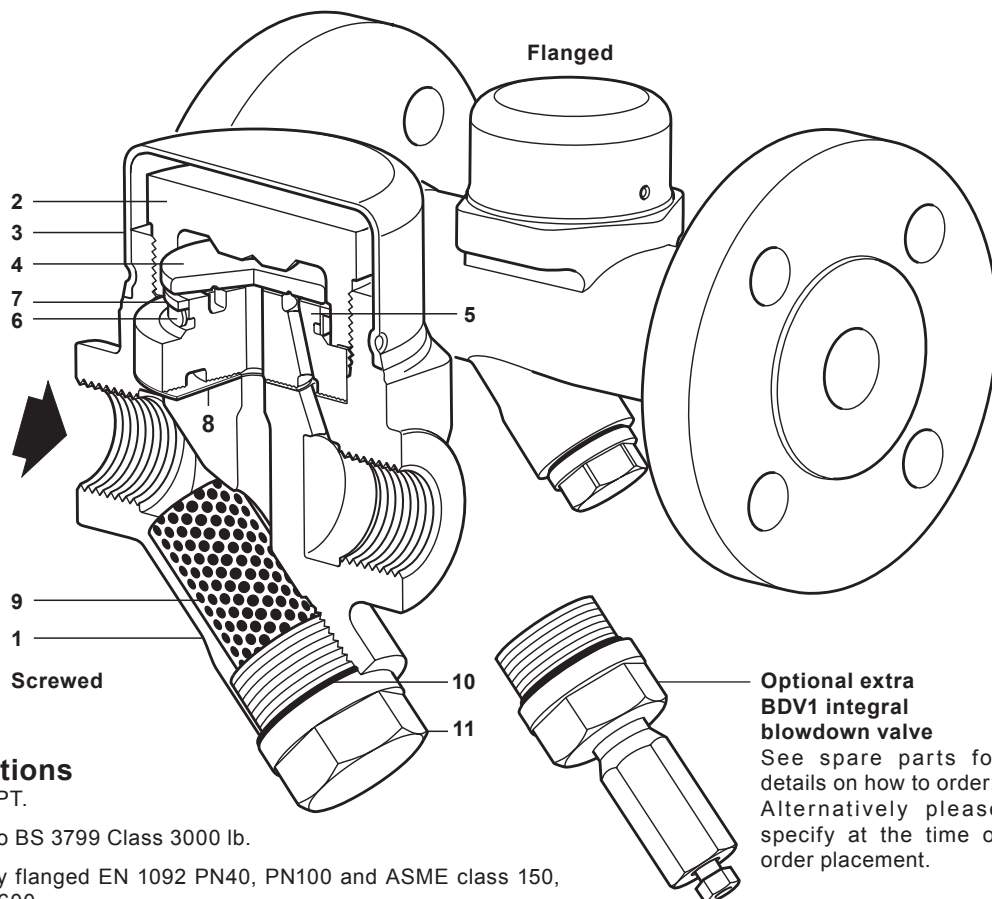
#### Certification

These products are available with certification to EN 10204 3.1.

**Note:** All certification / inspection requirements must be specified at the time of order placement.

#### Materials

No. Part	Material	
1	Body	Stainless steel 1.4308/ASTM A351 CF8
2	Top cap	Stainless steel 1.4301/ASTM A479 304
3	Insulating cover	Stainless steel EN 10088-1 1.4301
4	Disc	Hardened steel 1.2379
5	Seat	Hardened steel 1.2379
6	Bimetal ring	Bimetal
7	Support	Stainless steel AISI 304
8	Seat gasket	Graphite foil
9	Strainer screen	Stainless steel ASTM A478 316L
10	Strainer cap gasket	Stainless steel AISI 304
11	Strainer cap	Stainless steel 1.4308/ASTM A351 CF8



#### Sizes and pipe connections

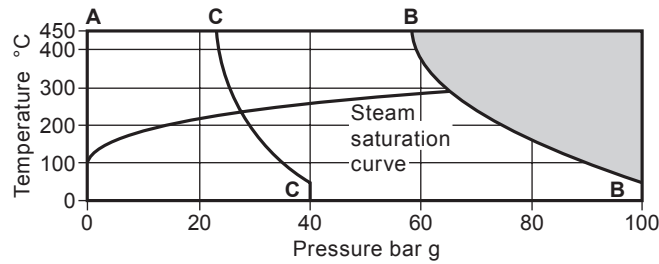
½", ¾" and 1" screwed BSP or NPT.

½", ¾" and 1" socket weld ends to BS 3799 Class 3000 lb.

DN15, DN20 and DN25 integrally flanged EN 1092 PN40, PN100 and ASME class 150, ASME class 300 or ASME class 600.

## Pressure / temperature limits (ISO 6552) - Screwed, Socket weld and Flanged EN 1092

**Screwed**  
**Socket weld**  
**Flanged:**  
**PN40**  
**PN100**

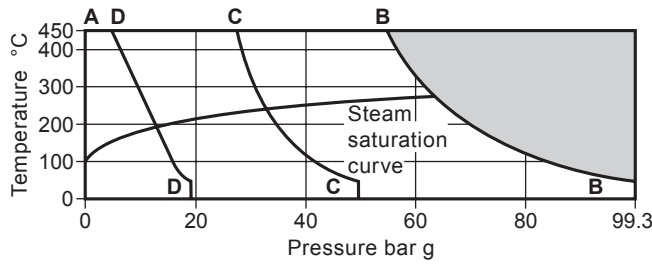


The product **must not** be used in this region or beyond the parameter of the PMA or TMA of the relative end connection.

	Body design conditions	PN100	
	PMA Maximum allowable pressure	100 bar g @ 50 °C	
	TMA Maximum allowable temperature	450 °C @ 58.3 bar g	
	Minimum allowable temperature	-50 °C	
<b>A - B - B</b>	<b>PN100</b> <b>Screwed</b>	PMO Maximum operating pressure	46 bar g @ 450 °C
	<b>Socket weld</b>	TMO Maximum operating temperature	450 °C @ 46 bar g
		Minimum operating temperature	0 °C
		Minimum operating pressure	1.5 bar g
		Maximum operating backpressure	80% of upstream pressure
		Designed for a maximum cold hydraulic pressure of:	150 bar g
		Body design conditions	PN40
	PMA Maximum allowable pressure	40 bar g @ 50 °C	
	TMA Maximum allowable temperature	450 °C @ 23.3 bar g	
	Minimum allowable temperature	-50 °C	
<b>A - C - C</b>	<b>PN40</b>	PMO Maximum operating pressure for saturated steam service	28.4 bar g @ 233 °C
		TMO Maximum operating temperature	450 °C @ 23.3 bar g
		Minimum operating temperature	0 °C
		Minimum operating pressure	1.5 bar g
		Maximum operating backpressure	80% of upstream pressure
		Designed for a maximum cold hydraulic pressure of:	60 bar g

**Pressure / temperature limits (ISO 6552) - Flanged ASME**

**Flanged:  
ASME Class 150  
ASME Class 300  
ASME Class 600**

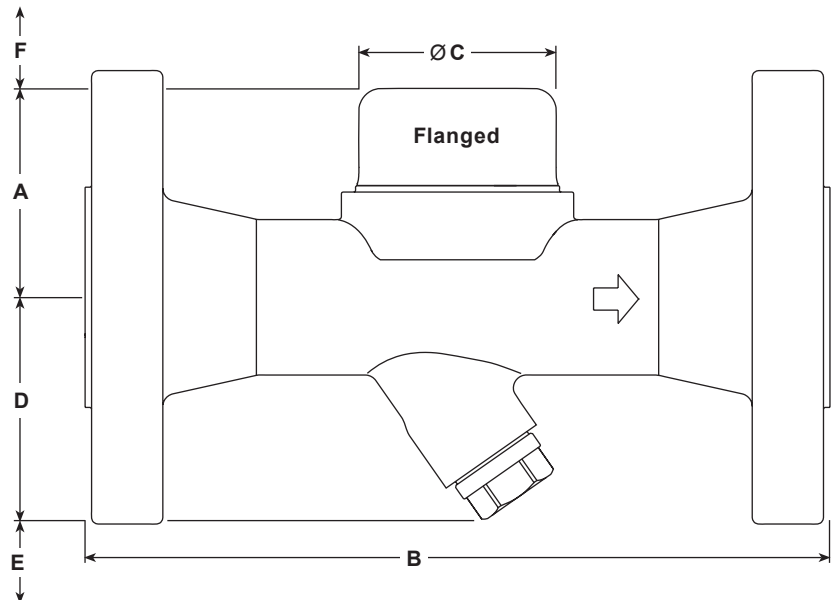
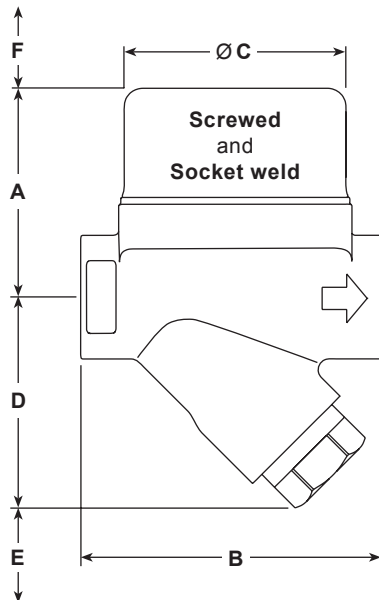


The product **must not** be used in this region or beyond the parameter of the PMA or TMA of the relative end connection.

<b>A - B - B ASME 600</b>	Body design conditions	ASME Class 600
	PMA Maximum allowable pressure	99.3 bar g @ 38 °C
	TMA Maximum allowable temperature	450 °C @ 54.8 bar g
	Minimum allowable temperature	-50 °C
	PMO Maximum operating pressure	46 bar g
	TMO Maximum operating temperature	450 °C @ 46 bar g
	Minimum operating temperature	0 °C
	Minimum operating pressure	1.5 bar g
	Maximum operating backpressure	80% of the upstream pressure
	Designed for a maximum cold hydraulic pressure of:	149 bar g
<b>A - C - C ASME 300</b>	Body design conditions	ASME Class 300
	PMA Maximum allowable pressure	49.6 bar g @ 38 °C
	TMA Maximum allowable temperature	450 °C @ 27.4 bar g
	Minimum allowable temperature	-50 °C
	PMO Maximum operating pressure for saturated steam service	33 bar g
	TMO Maximum operating temperature	450 °C @ 27.4 bar g
	Minimum operating temperature	0 °C
	Minimum operating pressure	1.5 bar g
	Maximum operating backpressure	80% of the upstream pressure
	Designed for a maximum cold hydraulic pressure of:	74.4 bar g
<b>A - D - D ASME 150</b>	Body design conditions	ASME Class 150
	PMA Maximum allowable pressure	19 bar g @ 38 °C
	TMA Maximum allowable temperature	450 °C @ 4.6 bar g
	Minimum allowable temperature	-50 °C
	PMO Maximum operating pressure for saturated steam service	14 bar g
	TMO Maximum operating temperature	450 °C @ 4.6 bar g
	Minimum operating temperature	0 °C
	Minimum operating pressure	1.5 bar g
	Maximum operating backpressure	80% of the upstream pressure
	Designed for a maximum cold hydraulic pressure of:	28.5 bar g

## Dimensions (approximate) in mm

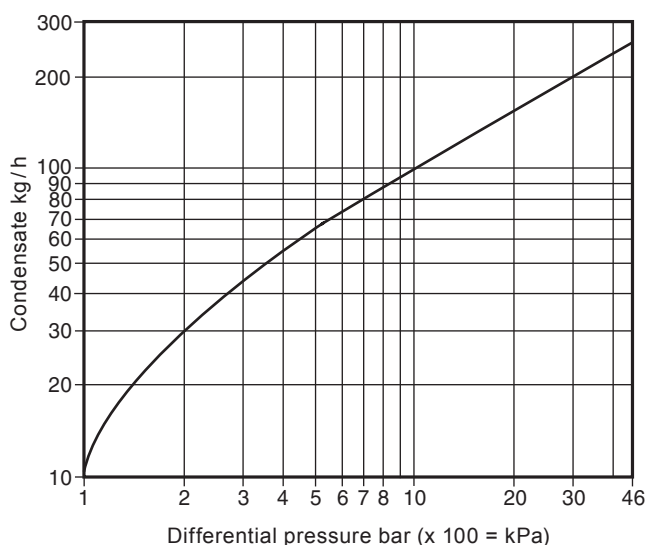
Size	A	Screwed	Socket weld	B		C	D	E	F
				Flanged	Flanged				
				PN40 ASME 150, 300, 600	PN100			Withdrawal distance	Withdrawal distance
½" DN15	58	78	92	150	210	61	59	40	30
¾" DN20	61	95	92	150	210	61	63	40	30
1" DN25	65	95	92	160	230	61	67	40	30



## Weights (approximate) in kg

Size	Screwed	Socket weld	Flanged				
			ASME 150	ASME 300	ASME 600	PN40	PN100
½" DN15	1.38	1.49	2.46	2.96	3.06	3.06	4.36
¾" DN20	1.64	1.64	3.16	4.06	4.26	3.96	6.26
1" DN25	1.90	1.90	4.16	5.16	5.46	4.86	8.16

## Capacities



## Safety information, installation and maintenance

For full details see the Installation and Maintenance Instructions (IM-P187-05) supplied with the product.

### Installation note:

The TDS46M is designed for installation with the disc in a horizontal plane with the insulating cover at the top.

It is recommended that a non-return valve is fitted when discharging condensate into return lines where backpressure is experienced. It is also recommended that a diffuser is fitted when discharging to atmosphere.

For ease and maintenance, consideration should be given to fitting isolation valves upstream and downstream of the steam trap.

### How to order

**Example:** 1 off Spirax Sarco DN15 TDS46M thermodynamic steam trap having flanged EN 1092 PN40 connections.

## Spare parts

Please note that the spares shown are the same for the screwed, socket weld and flanged versions.

The spare parts available are shown in solid outline. Parts drawn in a grey line are not supplied as spares.

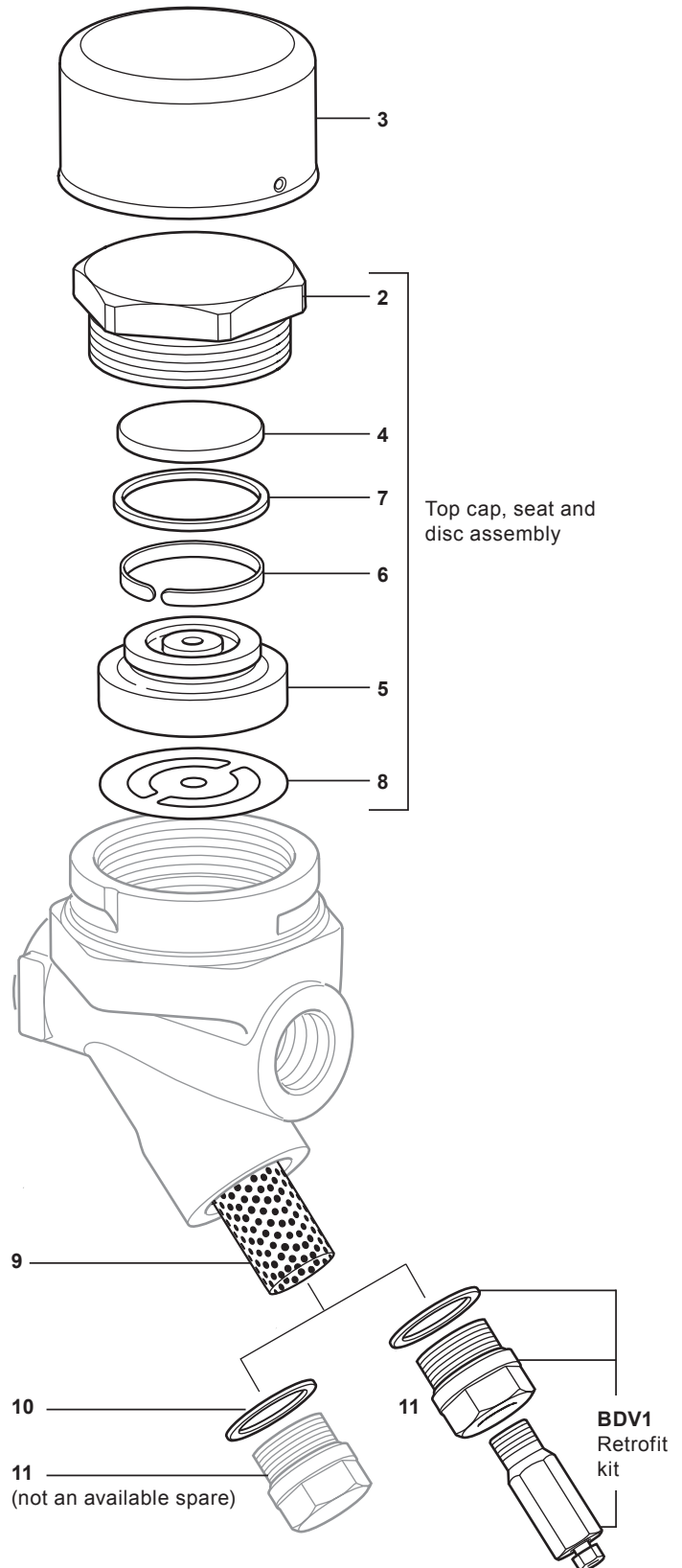
### Available spares

Insulating cover	<b>3</b>
Top cap, seat and disc assembly	<b>2, 4, 5, 6, 7, 8</b>
Strainer screen and gasket	<b>9, 10</b>
Set of gaskets (packet of 3 sets)	<b>8, 10</b>
BDV1 blowdown valve retrofit kit	


### How to order spares

Always order spares by using the description given in the column headed 'Available spares' and state the size and type of trap.

**Example:** 1 off Top cap, seat and disc assembly for a Spirax Sarco DN15 TDS46M thermodynamic steam trap.



## Recommended tightening torques - for suitably lubricated threads

Item	Part	 mm	N m
2	Top cap	50 A/F	300
11	Strainer cap	24 A/F	105 - 110