



# TD62LM and TD62M

## Thermodynamic Steam Traps with Replaceable Seats EN Body (Flanged connections)

### Description

The **TD62LM** and **TD62M** are maintainable high pressure thermodynamic steam traps with integral strainer and a replaceable seat to ease maintenance. They have been specifically designed for mains drainage applications up to 62 bar g.

The **TD62LM** is specifically designed for relatively small condensate loads on superheat and mains drainage applications. An insulating cover is fitted as standard to prevent the trap being unduly influenced by excessive heat loss when subjected to low ambient temperatures, wind or rain. Body and cover castings are produced by a TÜV approved foundry.

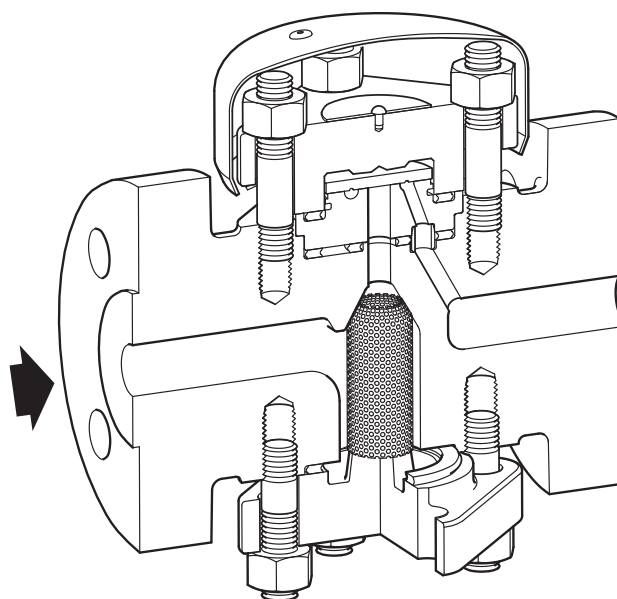
### Standards

This product fully complies with the requirements of the European Pressure Equipment Directive (PED).

### Certification

This product is available with certification to EN 10204 3.1.

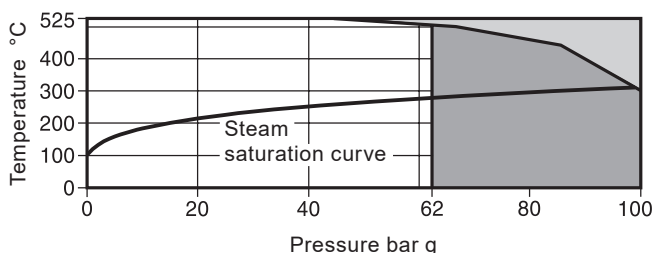
**Note:** All certification/inspection requirements must be stated at the time of order placement.



### Sizes and pipe connections

DN15, DN20 and DN25.  
 Standard flange EN 1092 PN100.

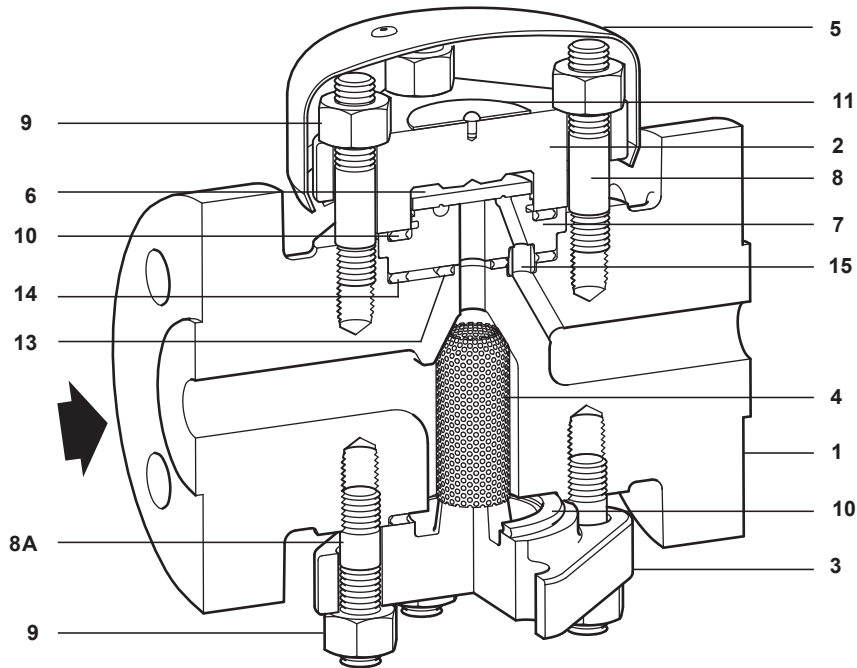
### Pressure/temperature limits



- The product **must not** be used in this region.
- The product should not be used in this region or beyond its operating range as damage to the internals may occur.

Body design conditions		PN100
PMA	Maximum allowable pressure	98.1 bar g @ 300 °C
TMA	Maximum allowable temperature	525 °C @ 42.7 bar g
Minimum allowable temperature		-10 °C
PMO	Maximum operating pressure for steam service	62 bar g @ 482 °C
TMO	Maximum operating temperature	525 °C @ 42.7 bar g
Minimum operating temperature		0 °C
PMOB operating backpressure	<b>TD62LM</b>	50% of upstream pressure
	<b>TD62M</b>	80% of upstream pressure
Minimum operating pressure	<b>TD62LM</b>	8 bar g
	<b>TD62M</b>	1.4 bar g
Designed for a maximum cold hydraulic test pressure of :		150 bar g

## Materials

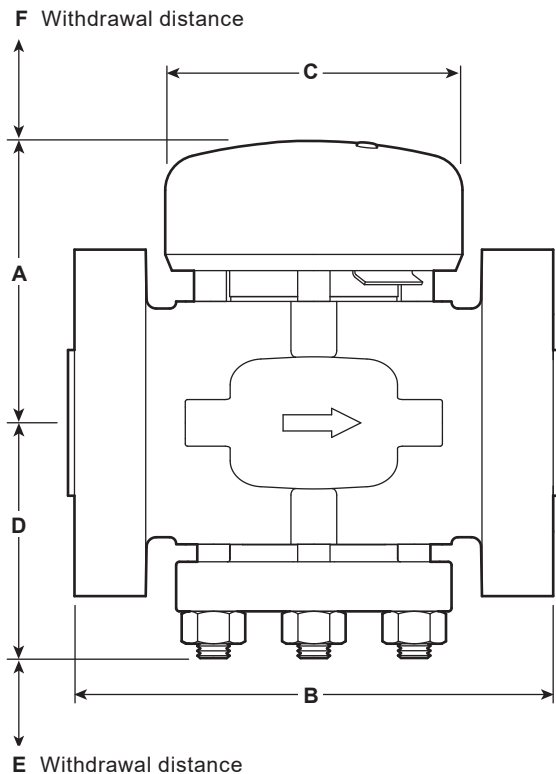


No.	Part	Material	
1	Body	Steel	EN 10213-2 G17 CrMo5-5+QT
2	Top cover	Steel	EN 10213-2 G17 CrMo5-5+QT
3	Bottom cover	Steel	EN 10213-2 G17 CrMo5-5+QT
4	Strainer screen	Stainless steel 100 mesh	316L
5	Insulating cover	Aluminium	
6	Disc	Chromium steel	
7 *	Seat	Chromium steel	
8	Cover studs (top)	Steel	DIN 17240 21 CrMoV 5 7
8A	Cover studs (bottom)	Steel	DIN 17240 21 CrMoV 5 7
9	Cover nuts	Steel	DIN 17240 21 24 CrMo 5
10	Cover gaskets	Spirally wound stainless steel with exfoliated graphite filler	
11	Name-plate	Stainless steel	
13	Inner seat gasket	Spirally wound stainless steel with exfoliated graphite filler	
14	Outer seat gasket	Spirally wound stainless steel with exfoliated graphite filler	
15 *	Ferrule	Stainless steel	

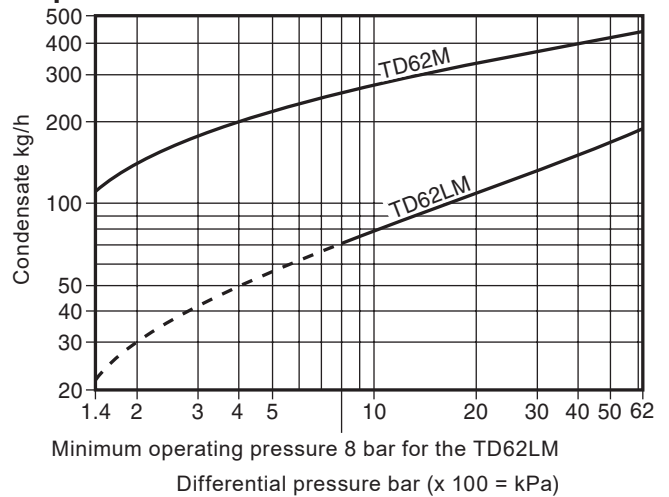
\* **Note:** Item 15 (ferrule) is pressed into item 7 (seat).

## Dimensions/weights (approximate) in mm and kg

Size	A	B	C	D	E	F	Weight
DN15	87	150	92	72	40	30	8.5
DN20	87	150	92	72	40	30	8.5
DN25	87	160	92	72	40	30	9.1



## Capacities



## Safety information, installation and maintenance

For full details see the Installation and Maintenance Instructions (IM-P068-58) supplied with the product.

### Installation note:

Preferably install in horizontal pipelines with the insulating cover uppermost although it can be fitted in other positions. After 24 hours in service the cover nuts should be checked for tightness.

### Disposal

The product is recyclable no ecological hazard is anticipated with the disposal of this product, providing due care is taken.

## How to order

**Example:** 1 off Spirax Sarco DN20 TD62LM thermodynamic steam trap with EN steel body having an integral strainer replaceable seat and flanged PN100 connections suitable for steam main drainage. An aluminium insulating cover shall be fitted as standard.

## Spare parts

The spare parts available are shown in solid outline. Parts shown in a grey line are not supplied as spares.

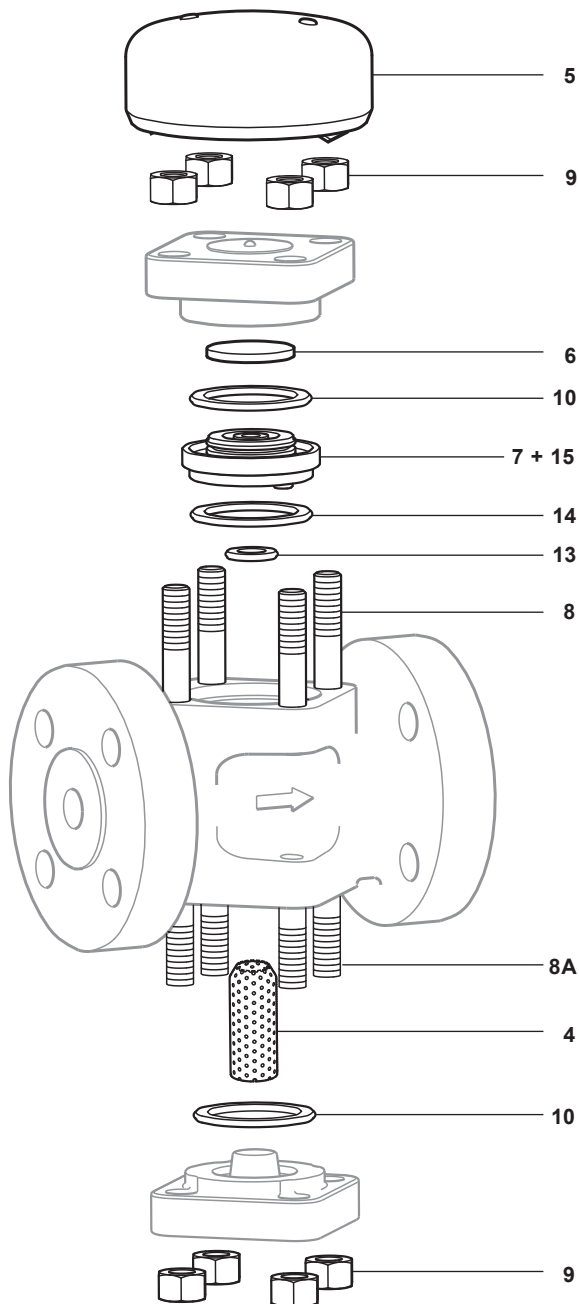
### Available spares

Insulating cover	5
Set of cover studs and nuts (set of 8)	8, 8A, 9
Seat and disc assembly	6, 7, 10, 13, 14, 15
Strainer screen 100 mesh	4
Set of gaskets (packet of 3 sets)	10, 13, 14
Cover gasket (3 off)	10



### How to order spares

Always order spares by using the description given in the column headed 'Available spares' and state the size and type of trap.

**Example:** 1 - Strainer screen for a Spirax Sarco DN25 TD62LM thermodynamic steam trap (EN body).



### Recommended tightening torques

Item	 or mm		N m
8 and 8A		M10 x 1.5	20 - 25
9	17 A/F		45 - 50