



TD62LM and TD62M Thermodynamic Steam Traps with replaceable seats (Screwed/Socket Weld)

Description

The **TD62LM** and **TD62M** are maintainable high pressure thermodynamic steam traps with integral strainer and a replaceable seat to ease maintenance. They have been specifically designed for mains drainage applications up to 62 bar g.

The **TD62LM** is specifically designed for relatively small condensate loads on superheat and mains drainage applications. An insulating cover is fitted as standard to prevent the trap being unduly influenced by excessive heat loss when subjected to low outside temperatures, wind, rain etc.

The body and cover meet typical industry standards including Charpy testing at 27J @ -30 °C.

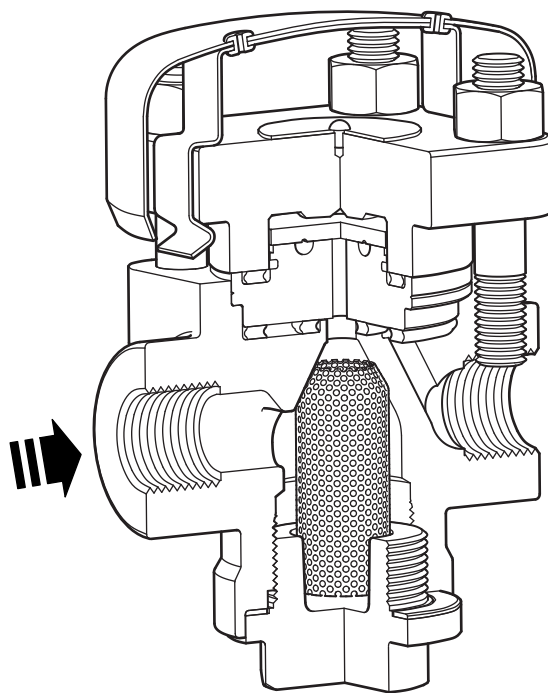
Standards

This product fully complies with the requirements of the European Pressure Equipment Directive 2014/68/EU.

Certification

This product is available with certification to EN 10204 3.1.

Note: All certification/inspection requirements must be stated at the time of order placement.



Sizes and pipe connections

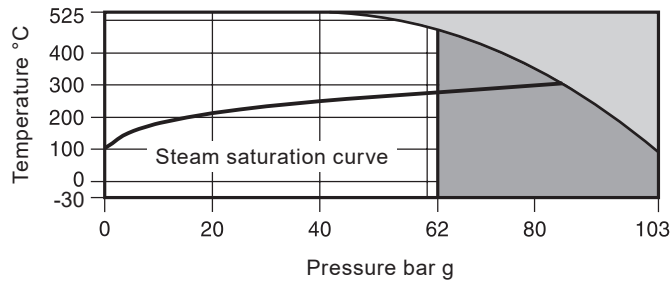
1/2", 3/4" and 1" screwed ends NPT.

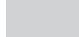
1/2", 3/4" and 1" socket weld ends to ANSI B 16.11 Class 3000.

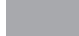
Optional extras

An optional blowdown/depressurisation valve can be supplied at extra cost - please consult Spirax Sarco.

Pressure/temperature limits

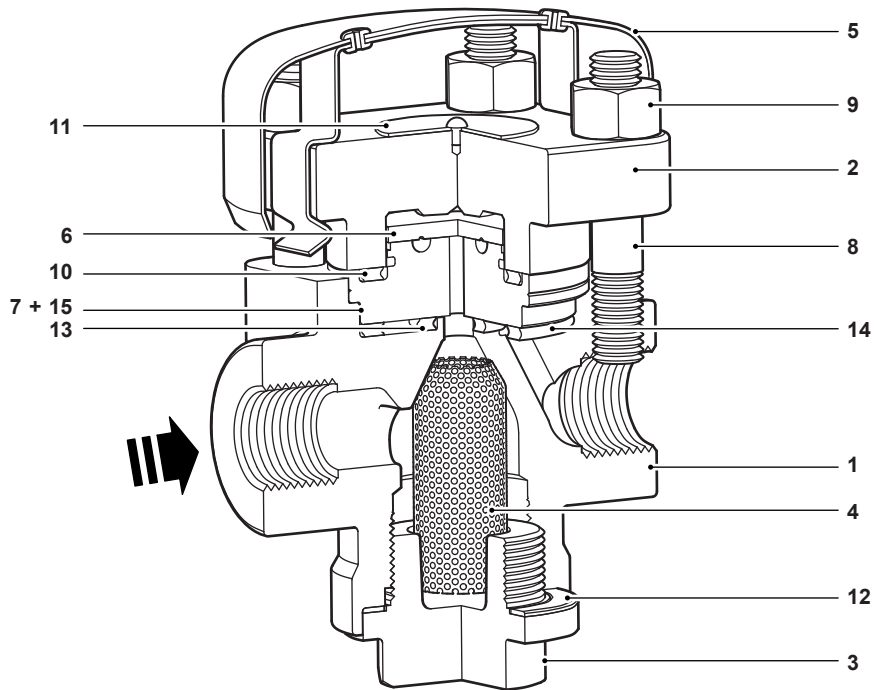


 The product **must not** be used in this region.

 The product should not be used in this region or beyond its operating range as damage to the internals may occur.

Body design conditions		ANSI 600
PMA	Maximum allowable pressure	103 bar g @ 93 °C
TMA	Maximum allowable temperature	525 °C @ 42.7 bar g
Minimum ambient temperature		-30 °C
PMO	Maximum operating pressure for steam service	62 bar g @ 482 °C
TMO	Maximum operating temperature	525 °C @ 42.7 bar g
Minimum operating temperature		0 °C
PMOB	Maximum operating pressure backpressure	TD62LM 50% of upstream
		TD62M 80% of upstream pressure
Minimum operating pressure	TD62LM	8 bar g
	TD62M	1.4 bar g
Product is safe for use under full vacuum conditions		
Designed for a maximum cold hydraulic test pressure of		155 bar g

Materials

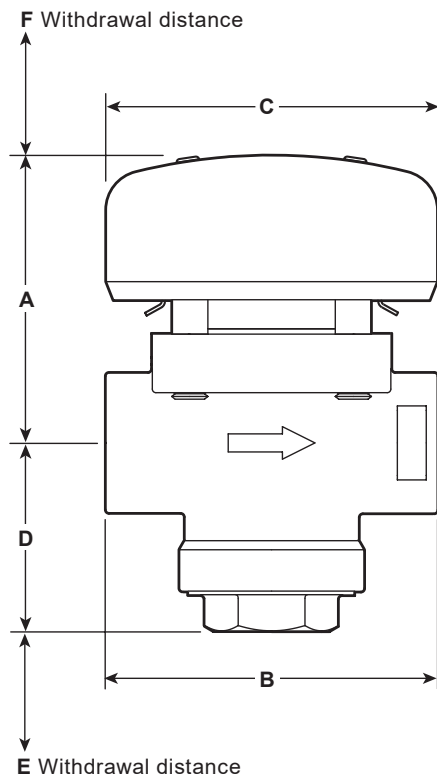


No.	Part	Material	
1	Body	Steel	ASTM A217 Gr. WC 6
2	Cover	Steel	ASTM A217 Gr. WC 6
3	Strainer cap	Steel	ASTM A217 Gr. WC 6
4	Strainer screen	Stainless steel 100 mesh	316L
5	Insulating cover	Aluminium	
6	Disc	Chromium steel	
7 *	Seat	Chromium steel	
8	Cover studs	Steel	ASTM A193 Gr. B16
9	Cover nuts	Steel	ASTM A194 Gr. 8M
10	Cover gasket	Spirally wound stainless steel with exfoliated graphite filler	
11	Name-plate	Stainless steel	
12	Strainer cap gasket	Reinforced exfoliated graphite	
13	Inner seat gasket	Spirally wound stainless steel with exfoliated graphite filler	
14	Outer seat gasket	Spirally wound stainless steel with exfoliated graphite filler	
15 *	Ferrule	Stainless steel	

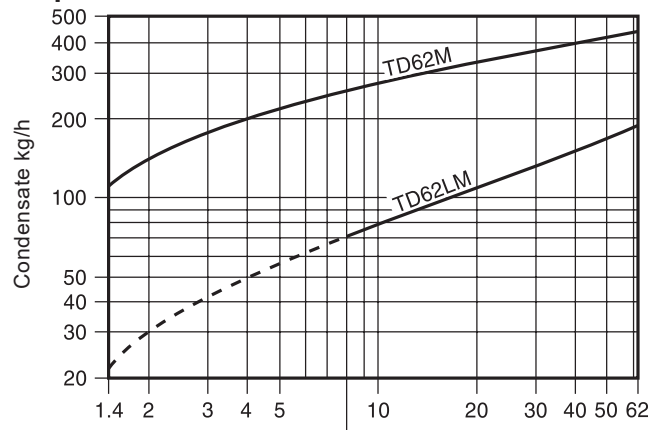
* **Note:** Item 15 (ferrule) is pressed into item 7 (seat).

Dimensions/weights (approximate) in mm and kg

Size	A	B	C	D	E	F	Weight
½"	80	92	92	52	20	51	2.08
¾"	80	92	92	52	20	51	2.08
1"	85	100	92	47	20	51	2.43



Capacities



Minimum operating pressure 8 bar for the TD62LM

Differential pressure bar (x 100 = kPa)

Safety information, installation and maintenance

For full details see the Installation and Maintenance Instructions (IM-P015-04) supplied with the product.

Installation note:

Preferably install in horizontal pipelines with the insulating cover uppermost although it can be fitted in other positions. After 24 hours in service the cover nuts should be checked for tightness.

Disposal

The product is recyclable no ecological hazard is anticipated with the disposal of this product, providing due care is taken.

How to order

Example: 1 off Spirax Sarco ½" TD62LM thermodynamic steam trap with integral strainer having screwed NPT connections, suitable for steam main drainage. An aluminium insulating cover shall be fitted as standard.

Spare parts

The spare parts available are shown in solid outline. Parts drawn in a grey line are not supplied as spares.

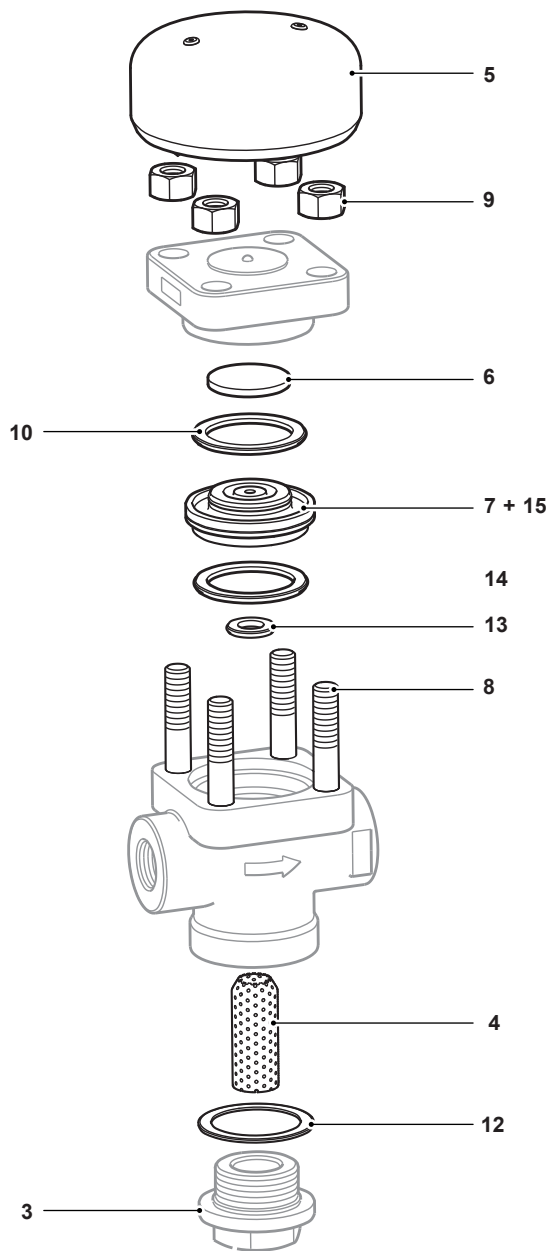
Available spares

Insulating cover	5
Set of cover studs and nuts (set of 4)	8, 9
Seat and disc assembly	6, 7, 10, 13, 14, 15
Strainer screen 100 mesh	4
Set of gaskets (packet of 3 sets)	10, 12, 13, 14
Strainer cap gasket (3 off)	12



How to order spares

Always order spares by using the description given in the column headed 'Available spares' and state the size and type of trap.

Example: 1 - Strainer screen for a Spirax Sarco ½" TD62LM thermodynamic steam trap.



Recommended tightening torques

Item	 or 	N m
3	32 A/F	142 - 158
8	M10 x 1.5	20 - 25
9	17 A/F	45 - 50