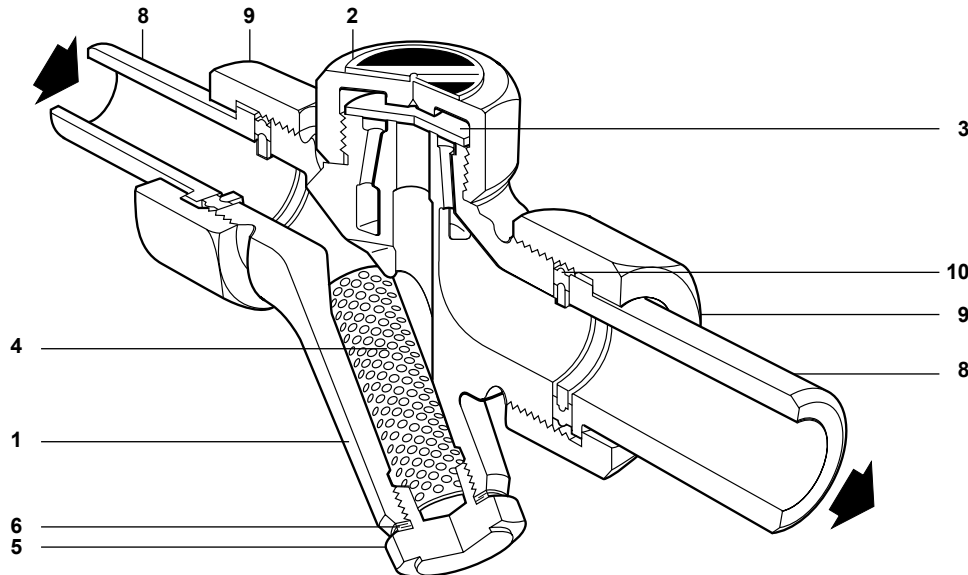




TI-P068-04
 ST Issue 8

TD3-3 Thermodynamic Steam Trap



Description

The TD3-3 is a medium pressure thermodynamic steam trap fitted between unions for ease of replacement. Tail pieces are prepared for butt weld ends.

Optional extras

Insulating cover - To prevent the trap being unduly influenced by excessive heat loss such as when subjected to low outside temperatures, wind, rain, etc.

Integral blowdown valve - A BDV1 or BDV2 can be fitted to the strainer cap, alternatively the strainer cap can be drilled, tapped and plugged to 3/8" BSP or NPT.

Standards

The product fully complies with the requirements of the European Pressure Equipment Directive 97/23/EC.

Certification

This product is available with certification to EN 10204 3.1. **Note:** All certification/inspection requirements must be stated at the time of order placement.

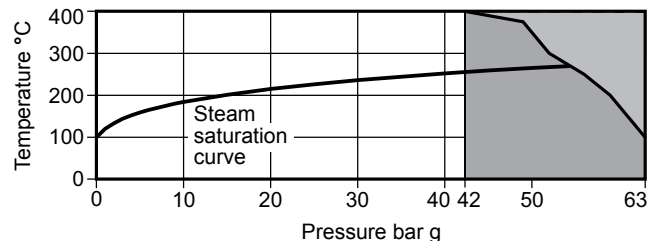
Materials

No.	Part	Material	
1	Body	Stainless steel	ASTM A743 Gr. CA 40
2	Cap	Stainless steel	AISI 416
3	Disc	Stainless steel	BS 1449 420 S45
4	Strainer screen	Stainless steel	BS 1449 304 S16
5	Strainer cap	Stainless steel	AISI 416
6	Strainer cap gasket	Stainless steel	BS 1449 304 S16
7	Insulating cover (optional extra)	Aluminium	
8	Union tail piece	Mild steel	BS 970 070 M20
9	Union nut	Mild steel	BS 970 230 M07
10	Gasket	Reinforced exfoliated graphite	AISI 316L spirally wound

Sizes and pipe connections

3/8", 1/2" LC, 1/2" and 3/4" butt weld Schedule 40.

Pressure / temperature limits

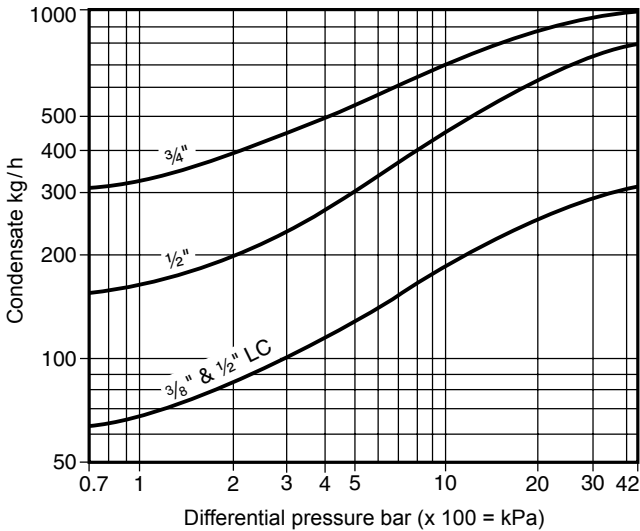


- The product **must not** be used in this area.
- For optimum product performance the PMO should not exceed 42 bar g

Body design conditions		PN63
PMA	Maximum allowable pressure	63 bar g @ 100°C
TMA	Maximum allowable temperature	400°C @ 42 bar g
Minimum allowable temperature		0°C
PMO	Maximum operating pressure for saturated steam service	42 bar g @ 400°C
TMO	Maximum operating temperature	400°C @ 42 bar g
Minimum operating temperature		0°C
Note: For lower operating temperatures consult Spirax Sarco		
ΔPMX	Maximum differential pressure	63 bar
PMOB	Maximum backpressure should not exceed 80% of the inlet pressure	
Minimum inlet pressure for satisfactory operation		0.25 bar g
Designed for a maximum cold hydraulic test pressure of 95 bar g		

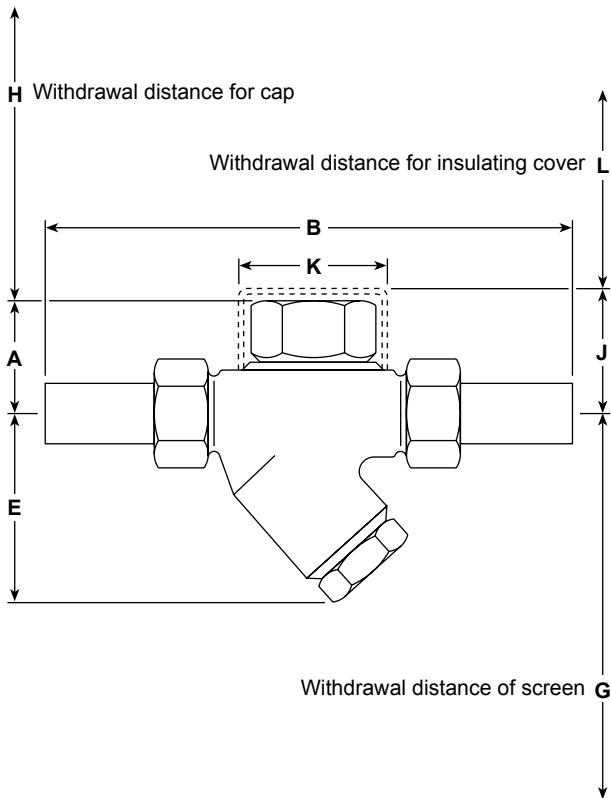
First for Steam Solutions

Capacities



Dimensions/weights (approximate) in mm and kg

Size	A	B	E	G	H	J	K	L	Weight
3/8"	40	183	60	105	40	57	57	38	1.1
1/2" LC	41	188	62	107	40	57	57	38	1.2
1/2"	41	188	62	107	40	57	57	38	1.3
3/4"	45	223	75	130	40	63	57	38	1.7



Spare parts

The spare parts available are shown in solid outline. Parts drawn in broken line are not supplied as spares.

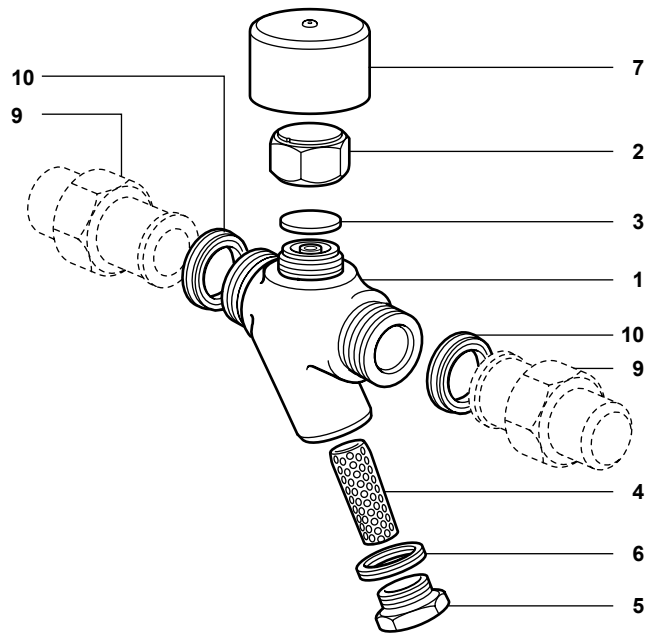
Available spares

Trap unit	(complete without unions)	4, 3, 1, 10
Disc	(packet of 3)	3
Strainer screen and gasket		4, 6
Union gasket and inner ring	(packet of 10)	10
Insulating cover		7
Strainer cap gasket	(packet of 3)	6

How to order spares

Always order spares by using the description given in the column headed 'Available spares' and state the size and type of trap.

Example: 1 - Trap unit for a Spirax Sarco 1/2" TD3-3 thermodynamic steam trap.



Recommended tightening torques

Item		or mm	N m
2	(3/8", 1/2" LC)	36	135 - 150
	(1/2", 3/4")	41	180 - 200
5	(3/8")	M28	170 - 190
	(1/2")	30	80 - 90
9	(1/2", 1/2" LC)	36	150 - 165
	(3/4")	41	150 - 165

Safety information, installation and maintenance

For details see the Installation and Maintenance Instructions (IM-P068-25) supplied with the product.

Installation note:

Preferably fitted in a horizontal pipe but can be fitted in other positions.

Disposal:

The product is recyclable. No ecological hazard is anticipated with the disposal of this product, providing due care is taken.

How to order

Example: 1 off Spirax Sarco 1/2" TD3-3 thermodynamic steam trap having Schedule 40 butt weld connections.