



TI-P068-06
 ST Issue 6

TD259 and TD259A Thermodynamic Steam Traps

Description

The TD259 is a maintainable thermodynamic steam trap for use on instrument tracing or any small bore steam heating installations. It can be provided with an anti-air-binding disc for quick start-up on batch process and is designated TD259A.

Standards

The product fully complies with the requirements of the European Pressure Equipment Directive 97/23/EC.

Certification

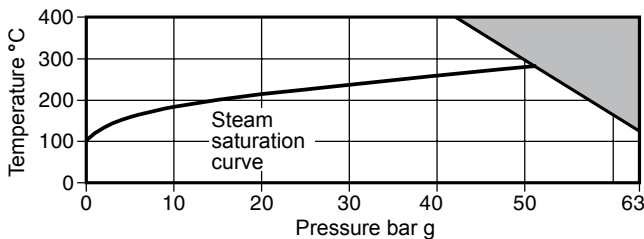
This product is available with a manufacturer's Typical Test Report.
Note: All certification/inspection requirements must be stated at the time of order placement.

Sizes and pipe connections

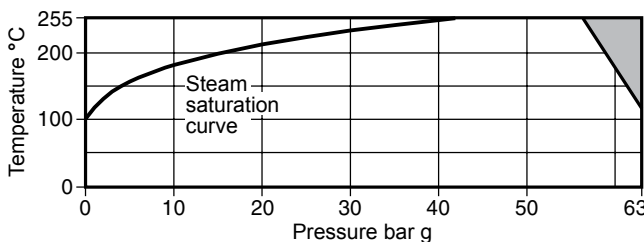
1/4" screwed BSP or NPT.

Pressure/temperature limits

TD259



TD259A



The product **must not** be used in this region.

Body design conditions		PN63	
PMA	Maximum allowable pressure	63 bar g @ 120°C	
TMA	Maximum allowable temperature	TD259	400°C
		TD259A	255°C
Minimum allowable temperature		0°C	
PMO	Maximum operating pressure for saturated steam service	42 barg	
TMO	Maximum operating temperature	TD259	400°C @ 42 bar g
		TD259A	255°C @ 56 bar g

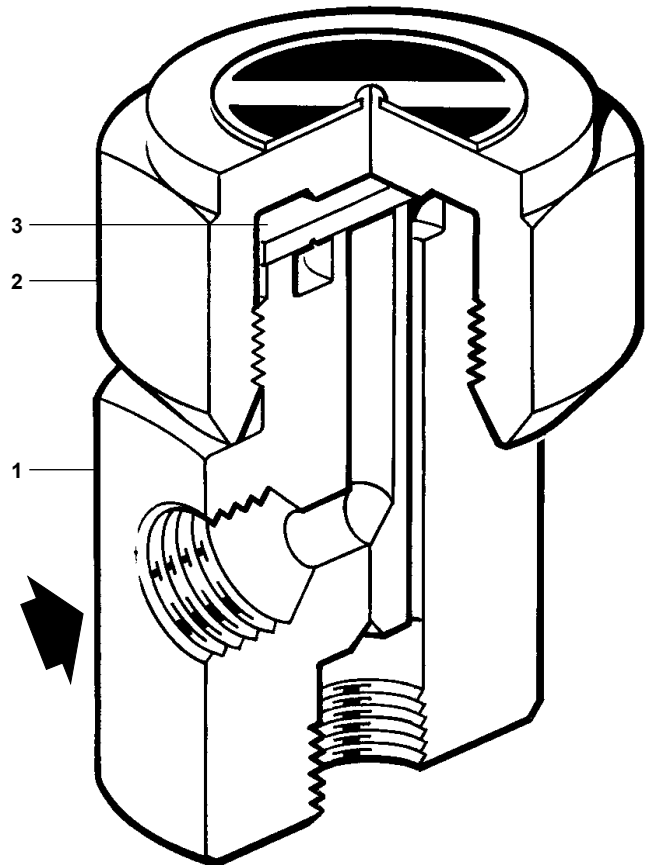
Minimum operating temperature 0°C
Note: For lower operating temperatures consult Spirax Sarco.

Minimum pressure for satisfactory operation is 0.25 bar g

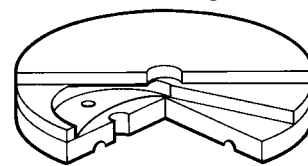
PMOB Maximum operating backpressure must not exceed 80% of the upstream pressure

ΔPMX Maximum differential pressure is limited to the PMO

Designed for a maximum cold hydraulic test pressure of 95 bar g



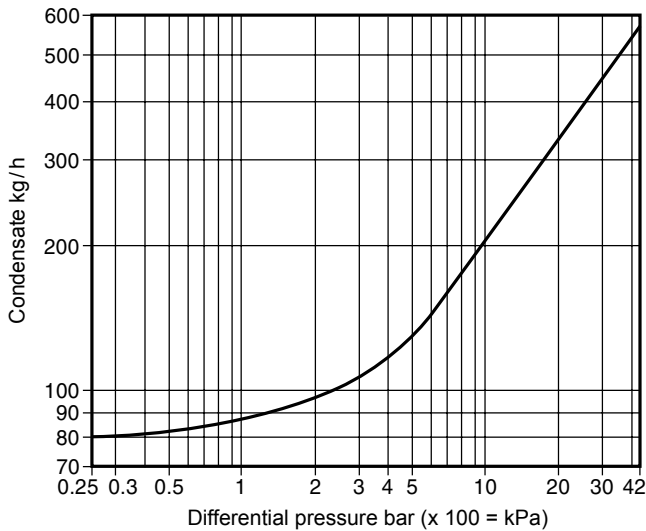
TD259A
 anti-air-binding disc



Materials

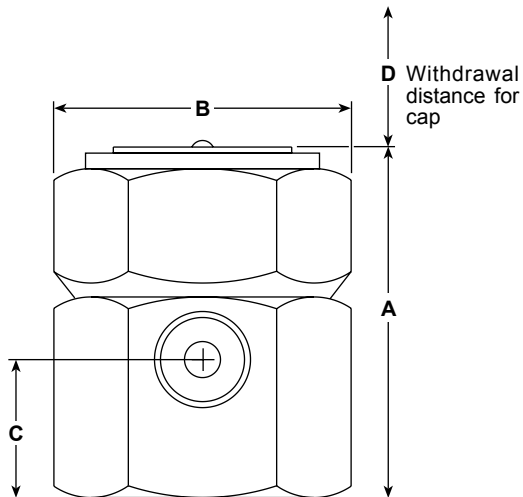
No.	Part	Material	
1	Body	Stainless steel	AISI 420
2	Cap	Stainless steel	AISI 416
3	Disc	Stainless steel	BS 1449 420 S45

Capacities - Hot water



Dimensions/weight (approximate) in mm and kg

Size	A	B	C	D	Weight
1/4"	54.5	42	22	40	0.36



Safety information, installation and maintenance

For full details see the Installation and Maintenance Instructions (IM-P068-31) supplied with the product.

Installation note:

Preferably fitted in a horizontal pipe but can be fitted in other positions.

How to order

Example: 1 off Spirax Sarco 1/4" TD259A thermodynamic steam trap having screwed BSP connections.

Spare parts

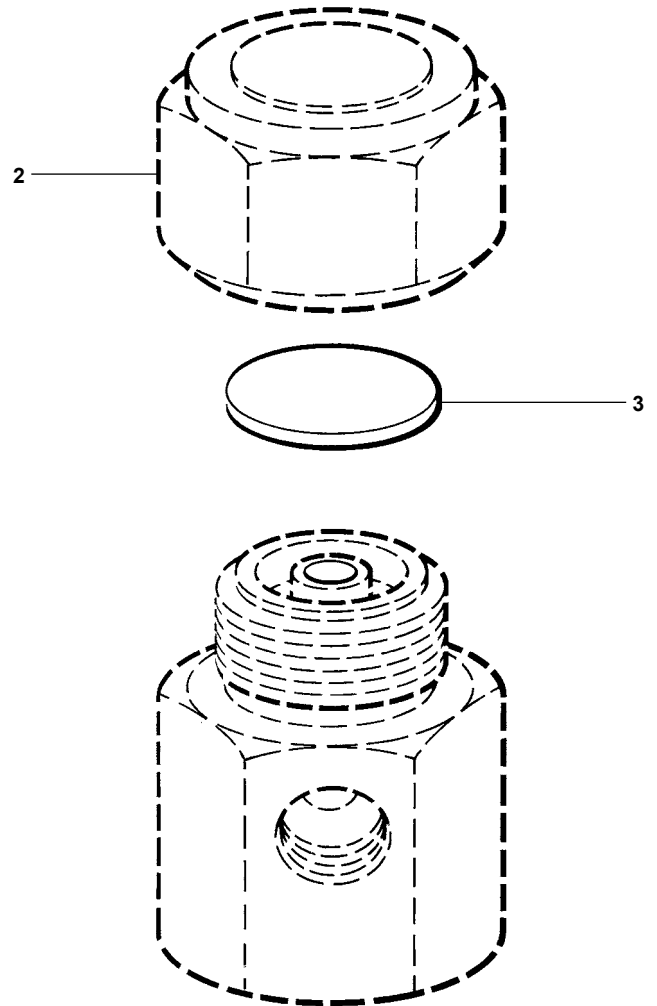
The spare parts available are shown in solid outline. Parts drawn in broken line are not supplied as spares.

Disc (packet of 3)	3
--------------------	----------



How to order spares

Always order spares by using the description given in the column headed 'Available spares' and state the size and type of trap.

Example: 1 - Packet of discs for a 1/4" TD259 thermodynamic steam trap.



Recommended tightening torque

Item	Part	 or  mm	N m
2	Cap	36 A/F	135 - 150