



TD16 Thermodynamic Steam Trap

Description

The TD16 thermodynamic steam trap is specifically designed for low capacity condensate loads associated with steam mains drainage and tracing applications up to 16 bar g. Its all stainless steel construction makes it corrosion resistant and very robust.

Standards

This product fully complies with the requirements of the Pressure Equipment Directive (PED) 2014/68/EU.

Certification

This product is available with material certification to EN 10204 2.2.

Note: All certification / inspection requirements must be stated at the time of order placement.

Sizes and pipe connections

½", ¾" and 1" screwed BSP (BS 21 parallel) or NPT.

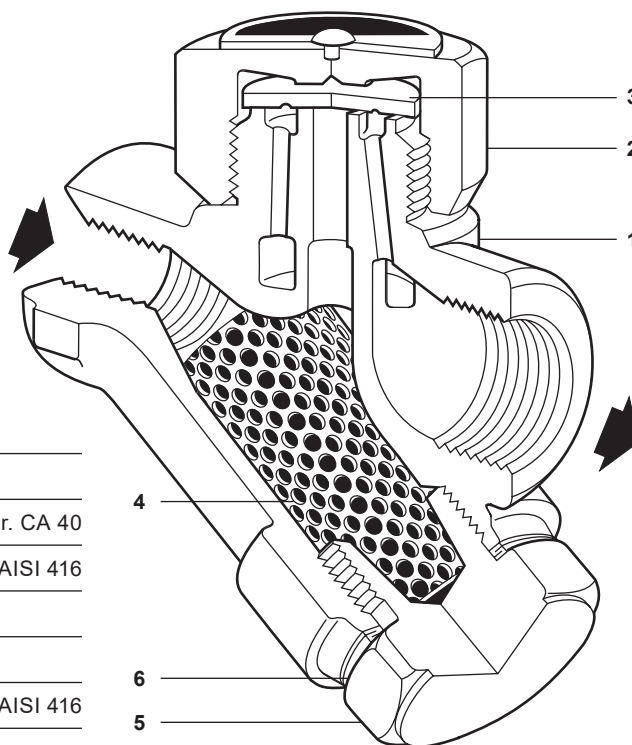
Optional extras

Insulating cover: to prevent the trap being unduly influenced by excessive heat loss such as when subjected to low outside temperatures, wind, rain, etc.

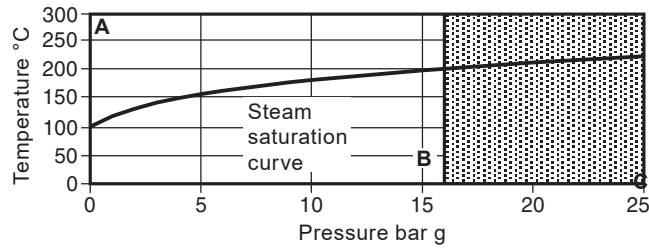
Integral blowdown valve: to remove debris from the strainer, see TI-P153-01 for further details.

Materials

No.	Part	Material
1	Body	Stainless steel ASTM A743 Gr. CA 40
2	Cap	Stainless steel AISI 416
3	Disc	Stainless steel
4	Strainer screen	Stainless steel
5	Strainer cap	Stainless steel AISI 416
6	Strainer cap gasket	Stainless steel
7	Insulating cover (optional extra)	Aluminium



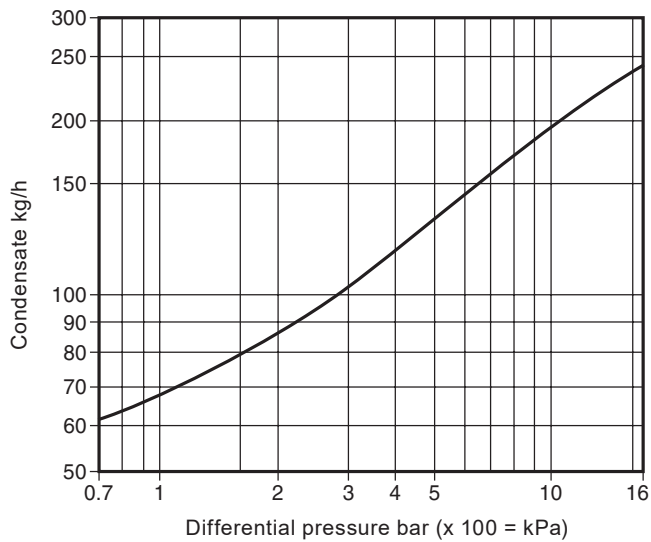
Pressure/temperature limits



This product is not designed for operation above 16 bar g.

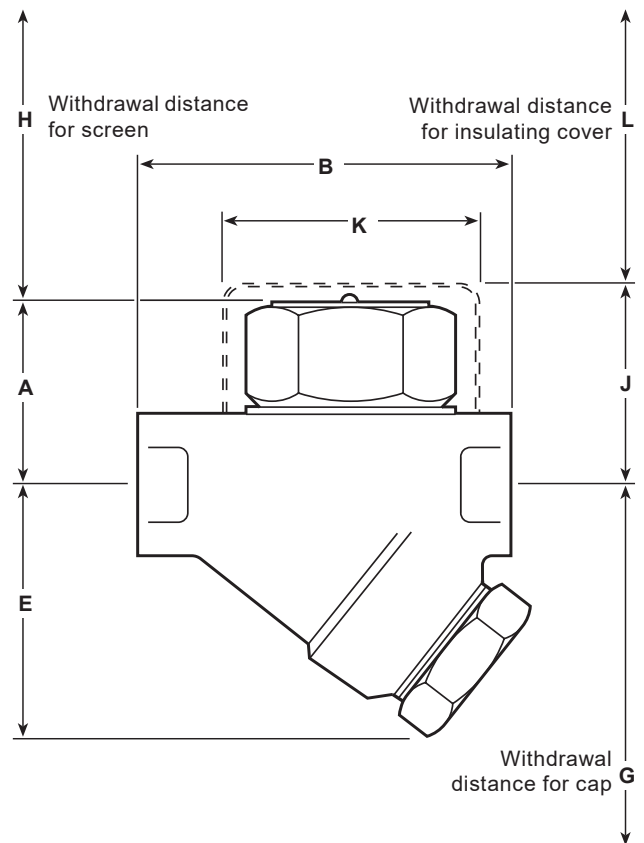
Body design conditions	PN25
PMA Maximum allowable pressure	25 bar g @ 300°C
TMA Maximum allowable temperature	300°C @ 25 bar g
Minimum allowable temperature	0 °C
PMO Maximum operating pressure for saturated steam service	16 bar g
ΔPMN Minimum differential pressure for correct operation	0.2 bar g
PMOB Maximum operating backpressure should not exceed 80% of the inlet pressure under any conditions otherwise the trap may not shut off.	
TMO Maximum operating temperature	300°C @ 16 bar g
Minimum operating temperature	0 °C
Note: For lower operating temperatures consult Spirax Sarco	
Designed for a maximum cold hydraulic test pressure of:	38 bar g

Capacities



Dimensions/weights (approximate) in mm and kg

Size	A	B	E	G	H	J	K	L	Weight
½"	41	78	55	85	20	52	57	38	0.75
¾"	44	85	57	100	20	54	57	38	0.95
1"	48	95	60	100	20	58	57	38	1.50



Safety information, installation and maintenance

For full details see the Installation and Maintenance Instructions (IM-P151-05) supplied with the product.

Installation note

The trap should preferably be installed in the horizontal plane, (top cap upper most) with a small drop leg preceding it. Suitable isolation valves must be installed to allow for safe maintenance and trap replacement.

Disposal

The product is recyclable. No ecological hazard is anticipated with the disposal of this product, providing due care is taken.

How to order

Example: 1 off Spirax Sarco ½" TD16 thermodynamic steam trap having screwed NPT connections.

Spare parts

The spare parts available are shown in heavy outline. Parts drawn in broken line are not supplied as spares.

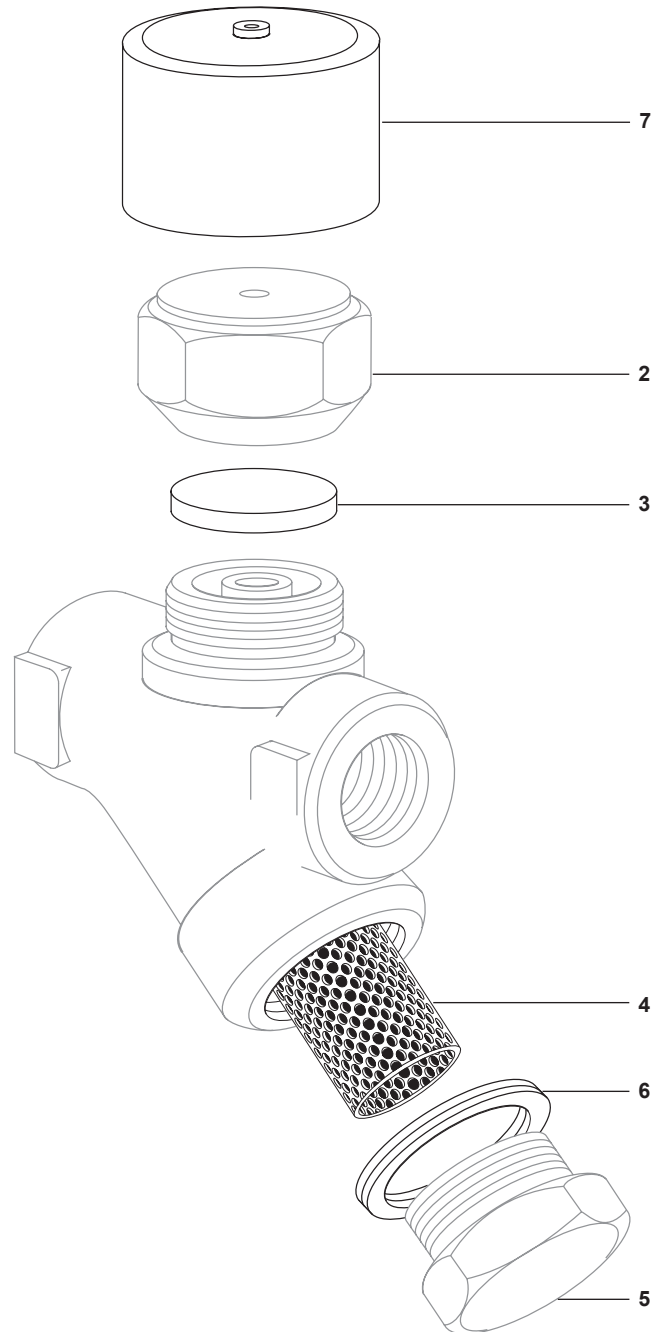
Available spares

Disc (packet of 3)	3
Strainer screen and gasket	4, 6
Insulating cover	7
Strainer cap gasket	6



How to order spares

Always order spares by using the description given in the column headed 'Available spares' and state the size and type of trap.

Example: 1 - Strainer screen and gasket for a Spirax Sarco 1/2" TD16 thermodynamic steam trap.



Recommended tightening torques

Item	 or mm		N m
2	36 A /F		135 - 150
5	32 A /F	M28	170 - 190