



SV60 Safety Valve

Description

The SV60 is a range of full lift flanged safety valves suitable for use on steam, inert industrial gas and water services. Please contact Spirax Sarco for suitability of any other media.

Available types

Model and material		Bonnet and cap configuration	
SV604	Carbon steel	Closed bonnet	Open type easing lever
			Sealed cap
SV607	SG iron	Open bonnet	Packed easing lever - DN20 to DN100 only
			Open type easing lever

Applications

The SV60 is suitable for the protection of steam boilers, pipelines, pressure vessels, compressors and receivers and most general process industry applications.

Certification

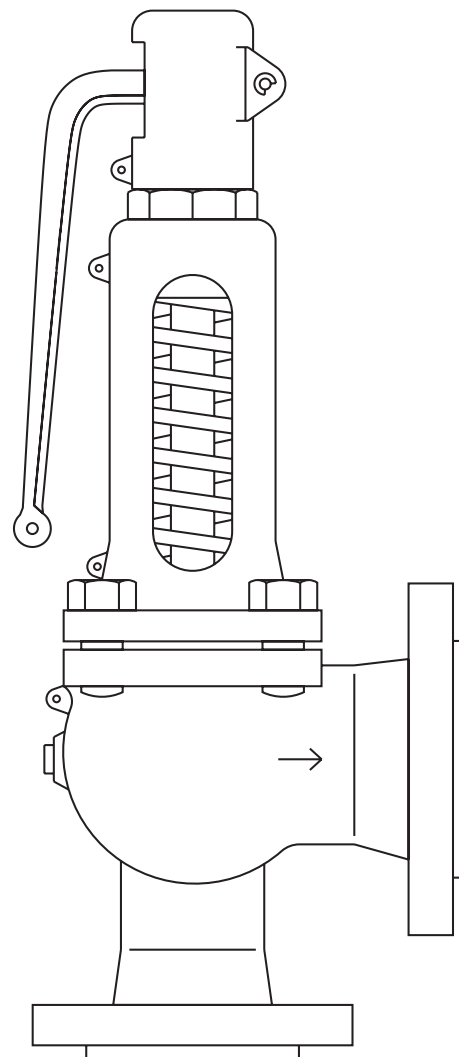
A manufacturers' Typical Test Report is provided as standard for each valve which will include valve set and hydraulic test pressure. Also available on request is material certification in accordance with EN 10204 3.1.

Standards and approvals

The SV60 carries the **CE** mark and complies with the requirements of the European Pressure Equipment Directive 2014/68/EU falling within Category 4 for Group 2 gases.

Seat tightness to ASME/API Standard 527-1992.

Lloyds Register (LR) type approval - Certificate number 01/00125 (E2).
 The **SV604** (PN flanged) is approved by the TÜV to AD-Merkblatt A2, AD-Merkblatt A4, TRD 421, Vd TÜV 100, 100/4.



Sizes and end connections

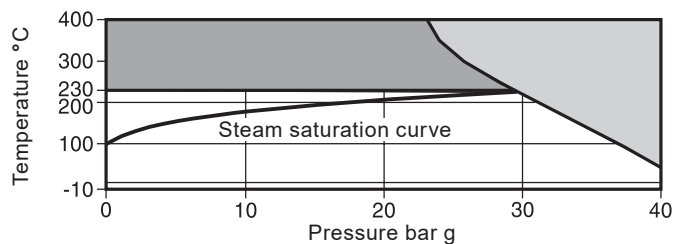
Inlet sizes: DN20, DN25, DN32, DN40, DN50, DN65, DN80, DN100, DN125 and DN150.

Valve type	Inlet connection	Outlet connection
SV607	PN16 (DN65 to DN150 only)	PN16
	PN25	PN16
SV604	PN40	PN16
	ASME 300	ASME 150

Standard PN flanges are to EN 1092 and ASME 300 flanges to EN 1759-1.

Pressure/temperature limits - SV604

PN40 inlet

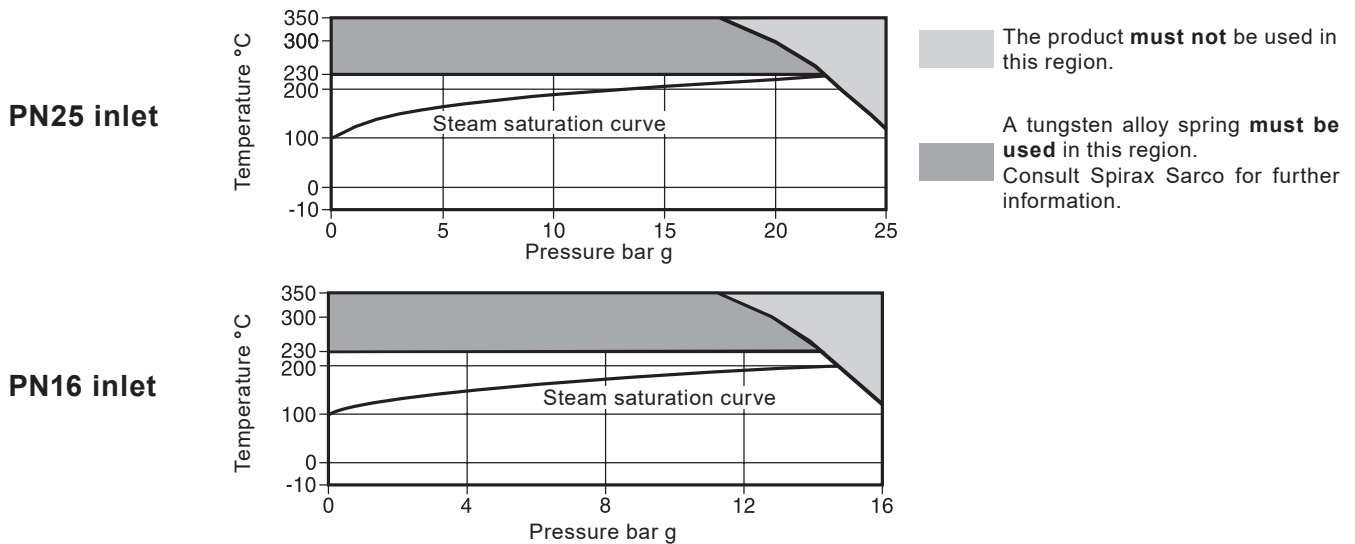


The product **must not** be used in this region.

A tungsten alloy spring **must be used** in this region.
Consult Spirax Sarco for further information.

Body design conditions		PN40			
		Size	Saturated steam	Air	Water
Set pressure range maximum	PN40	DN20 x DN32	29 bar g	40 bar g	40 bar g
		DN25 x DN40	29 bar g	40 bar g	40 bar g
		DN32 x DN50	29 bar g	40 bar g	40 bar g
		DN40 x DN65	29 bar g	40 bar g	40 bar g
		DN50 x DN80	29 bar g	40 bar g	40 bar g
		DN65 x DN100	29 bar g	32 bar g	32 bar g
		DN80 x DN125	29 bar g	32 bar g	32 bar g
		DN100 x DN150	25 bar g	25 bar g	25 bar g
		DN125 x DN200	20 bar g	20 bar g	20 bar g
		DN150 x DN250	16 bar g	16 bar g	16 bar g
Set pressure range minimum		0.2 bar g			
Temperature	Maximum	400°C			
	Minimum	-10°C			
Performance data	Overpressure	Steam	5%		
		Liquids and gas	10%		
	Blowdown limit	Steam and gas	10%		
		Liquids	20%		
Backpressure limit		10% of set pressure			
Designed for a maximum inlet cold hydraulic test pressure of:		60 bar g			

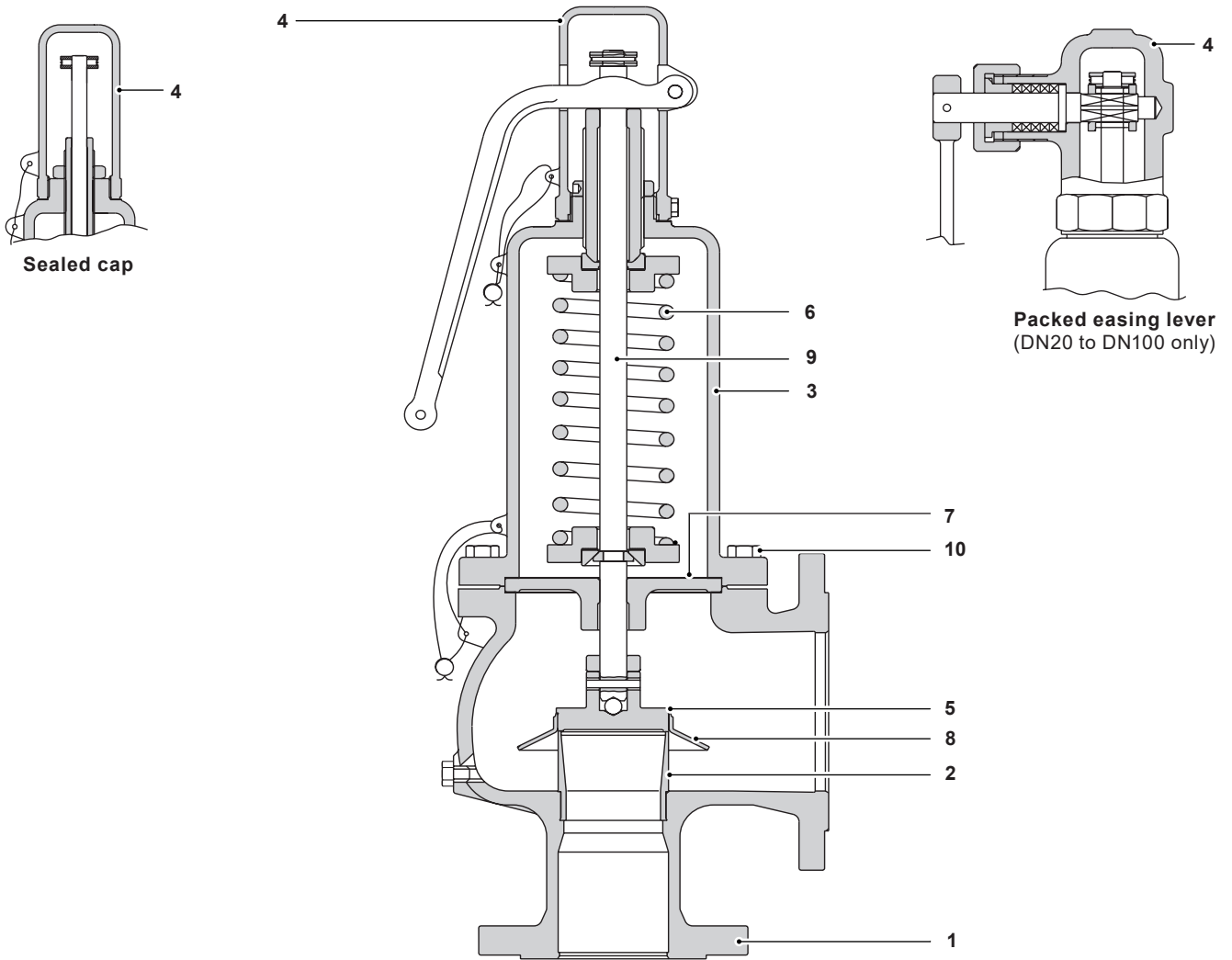
Pressure/temperature limits - SV607



Body design conditions PN16 or PN25

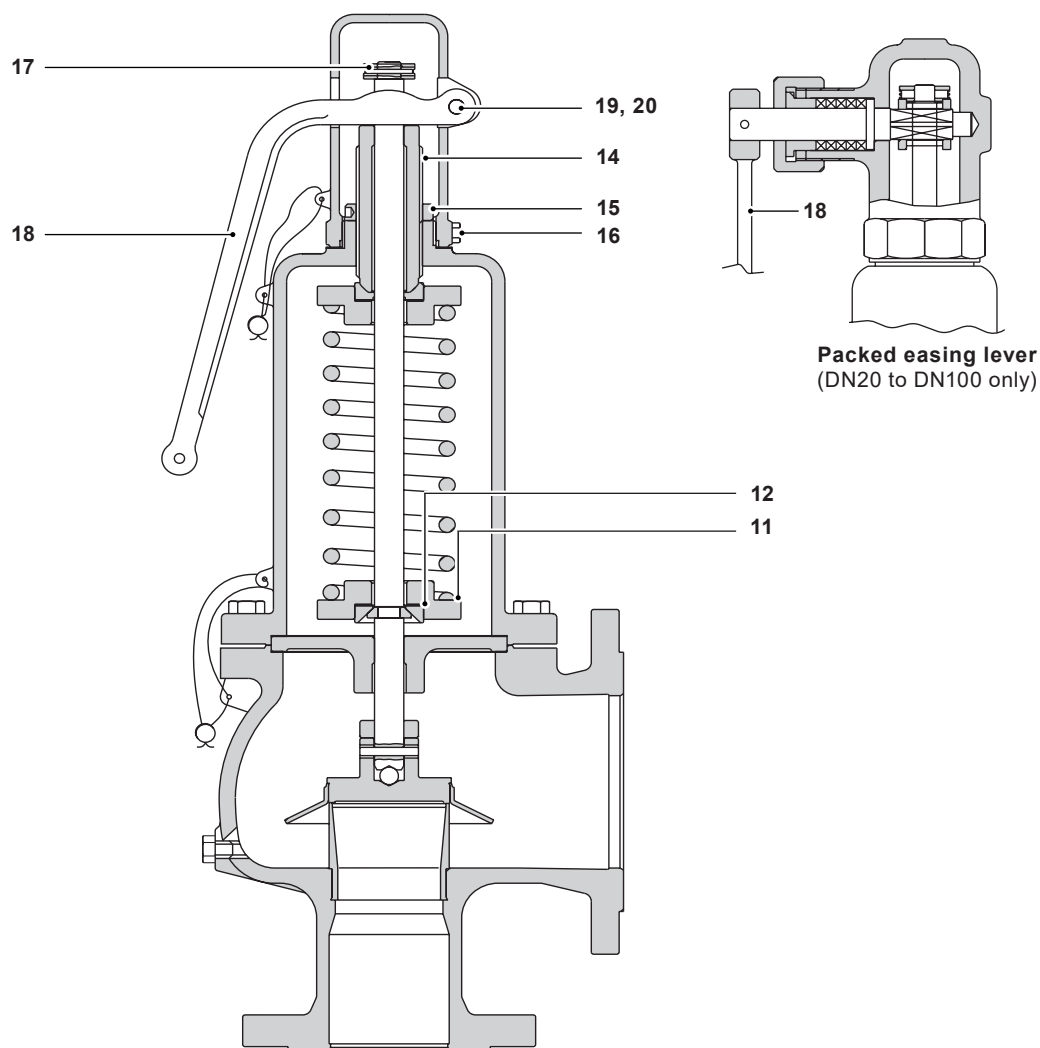
		Size	Saturated steam	Air	Water	
Set pressure range maximum	PN25	DN20 x DN32	22.5 bar g	25 bar g	25 bar g	
		DN25 x DN40	22.5 bar g	25 bar g	25 bar g	
		DN32 x DN50	22.5 bar g	25 bar g	25 bar g	
		DN40 x DN65	22.5 bar g	25 bar g	25 bar g	
		DN50 x DN80	22.5 bar g	25 bar g	25 bar g	
		DN65 x DN100	22.5 bar g	25 bar g	25 bar g	
		DN80 x DN125	22.5 bar g	25 bar g	25 bar g	
		DN100 x DN150	22.5 bar g	25 bar g	25 bar g	
		DN125 x DN200	20 bar g	20 bar g	20 bar g	
		DN150 x DN250	16 bar g	16 bar g	16 bar g	
Set pressure range maximum	PN16	DN65 x DN100	14.6 bar g	16 bar g	16 bar g	
		DN80 x DN125	14.6 bar g	16 bar g	16 bar g	
		DN100 x DN150	14.6 bar g	16 bar g	16 bar g	
		DN125 x DN200	14.6 bar g	16 bar g	16 bar g	
		DN150 x DN250	14.6 bar g	16 bar g	16 bar g	
Set pressure range minimum					0.2 bar g	
Temperature	Maximum				350°C	
	Minimum				-10°C	
Performance data	Overpressure	Steam				5%
		Liquids and gas				10%
	Blowdown limit	Steam and gas				10%
		Liquids				20%
Backpressure limit					10% of set pressure	
Designed for a maximum inlet cold hydraulic test pressure of:		PN25				38 bar g
		PN16				24 bar g

Materials



No.	Part	Material	SV607/SV604
1	Body	SG iron/carbon steel	GJS-400-18LT/1.0619 + N
2	Seat	Stainless steel	DN20 - DN100 1.4057 or for DN125 - DN150 ANC2
3	Bonnet	SG iron/carbon steel	GJS-400-18LT/1.0619 + N
4	Cap	SG iron	GJS-400-15
5	Disc	Stainless steel, hardened 47-52 HRC (Hardened Rockwell 'C' Scale)	DN20 - DN100 1.4021 or for DN125 - DN150 CA15
6	Spring	Standard	Chrome-vanadium alloy steel
		For temperatures above 230°C	Tungsten alloy steel
7	Guide plate	SG iron	GJS-400-15
8	Skirt	Stainless steel	DN20 - DN100 1.4301 or for DN125 - DN150 1.4308
9	Stem	Stainless steel	1.4021
10	Body bolts	Steel	CK35

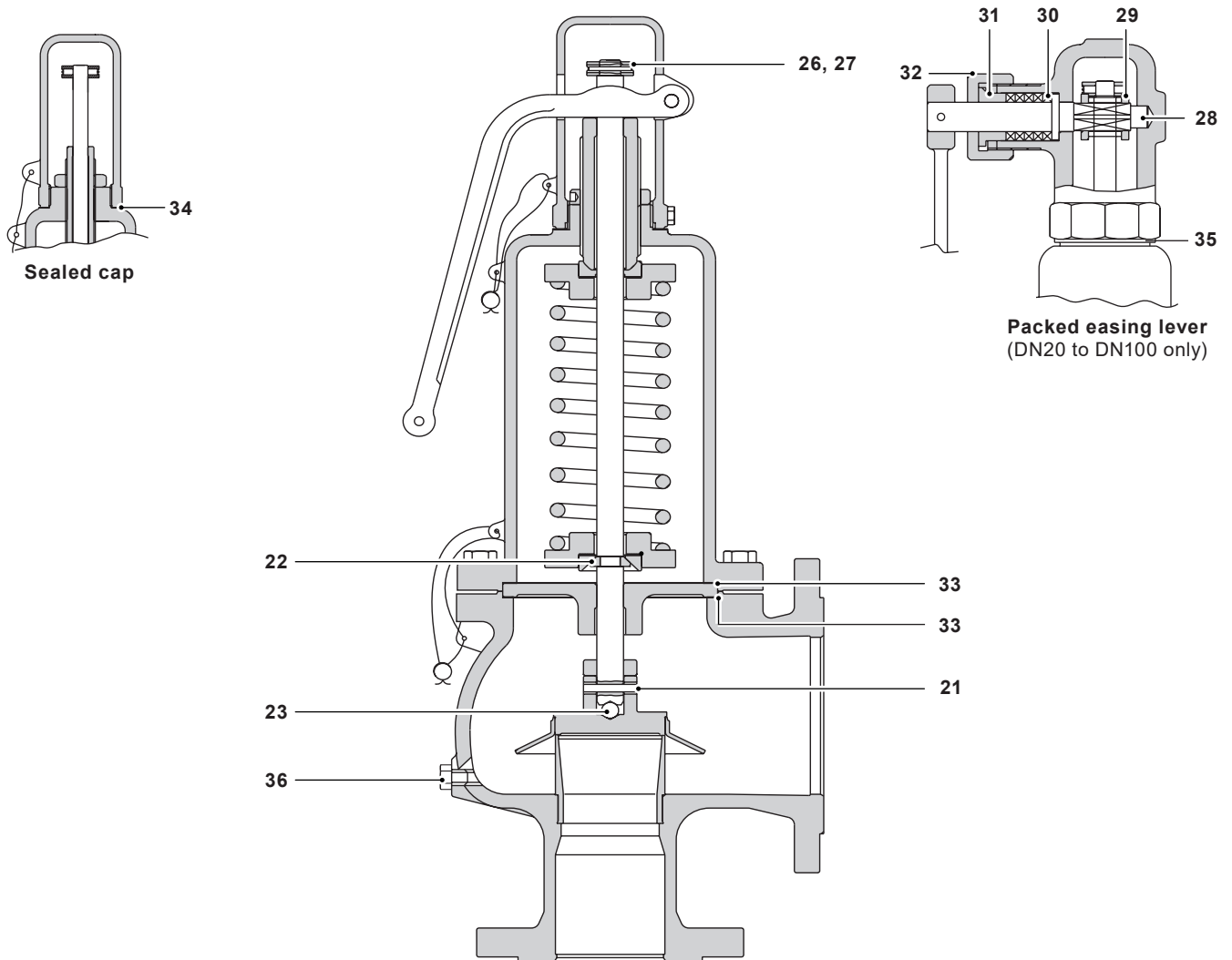
Materials (continued)



No.	Part	Material	SV607/SV604
11*	Spring plate	Carbon steel	C45E
12*	Bearing ring (DN80 to DN150 only)	Stainless steel	1.4021
13	Spacer	Stainless steel	1.4021
14	Adjustment screw	Stainless steel	1.4021
15	Lock-nut	Zinc plated carbon steel	
16	Screw	Zinc plated steel	
17	Collar	Zinc plated carbon steel	
18	Lever	SG iron	GJS-400-15
19	Cross pin	Zinc plated carbon steel	
20	Circlip	Spring steel	

* **Note:** The spring plate (11) and bearing ring design (12) varies according to the valve size and set pressure.

Materials (continued)



No.	Part	Material	SV607/SV604
21	Disc pin	Spring steel	DIN 7343, A304
22	Collets	Stainless steel	1.4021
23	Stem ball	Stainless steel	
26	Collar pin	Zinc plated carbon steel	
27	Collar circlip	Spring stainless steel	
28	Packed lever spindle	Stainless steel	ASTM A276 431
29	Lifting fork	Carbon steel	
30	Gland packing	Graphite	
31	Gland	Stainless steel	ASTM A276 304
32	Gland nut	Carbon steel	
33	Guide plate gaskets (2 off)	Reinforced exfoliated graphite	
34	Sealed cap gasket	Universal SA	
35	Packed lever cap gasket	Universal SA	
36	Body drain plug ½ BSP	Steel	

Table 1 - SV60 flow capacity for dry saturated steam in kilogrammes per hour (kg/h)
 (calculated at 5% overpressure. In accordance with EN ISO 4126)

Valve size DN in/out	20/32	25/40	32/50	40/65	50/80	65/100	80/125	100/150	125/200	150/250
Flow area (mm ²)	230	445	740	1140	1979	2734	4185	6504	8659	12272
Set pressure (bar g)	Dry saturated steam, kg/h									
0.5	121	254	378	494	825	1279	1779	2876	4050	5844
1.0	180	379	571	763	1235	1893	2660	4355	5994	8635
1.5	238	504	765	1034	1654	2556	3557	5805	7974	11475
2.0	293	619	942	1277	2049	3155	4474	7285	9992	14370
2.5	345	739	1111	1532	2464	3728	5293	8611	11978	17218
3.0	399	853	1268	1748	2811	4314	6132	9970	13859	19918
3.5	454	958	1424	1963	3156	4914	6993	11361	15783	22680
4.0	504	1075	1579	2177	3557	5451	7757	12786	17509	25159
4.5	553	1180	1735	2391	3907	5987	8520	14043	19230	27633
5.0	603	1286	1890	2604	4255	6522	9280	15296	20946	30098
5.5	652	1391	2044	2817	4603	7054	10037	16544	22655	32554
6.0	701	1495	2198	3029	4949	7585	10793	17790	24361	35006
6.5	750	1600	2351	3241	5295	8116	11548	19034	26065	37454
7.0	799	1704	2505	3452	5641	8645	12302	20277	27766	39899
7.5	848	1809	2658	3664	5986	9174	13054	21518	29466	42340
8.0	897	1913	2811	3875	6331	9703	13806	22757	31163	44779
8.5	946	2017	2964	4086	6675	10231	14558	23996	32859	47216
9.0	994	2121	3117	4296	7020	10758	15308	25233	34553	49651
9.5	1043	2225	3270	4507	7364	11285	16058	26469	36246	52083
10.0	1092	2329	3422	4717	7707	11812	16808	27705	37938	54515
11.0	1189	2536	3727	5138	8394	12865	18306	30174	41319	59373
12.0	1286	2744	4032	5558	9080	13917	19802	32640	44697	64226
13.0	1383	2951	4336	5977	9766	14967	21298	35105	48072	69077
14.0	1480	3158	4641	6397	10451	16018	22792	37569	51446	73924
15.0	1577	3365	4945	6816	11137	17068	24286	40032	54818	78770
16.0	1674	3572	5249	7235	11822	18118	25780	42494	58190	83615
17.0	1771	3779	5553	7655	12506	19168	27274	44956	61562	
18.0	1868	3986	5857	8074	13191	20217	28768	47418	64933	
19.0	1966	4193	6162	8493	13877	21267	30262	49881	68306	
20.0	2063	4400	6466	8913	14562	22318	31756	52344	71679	
21.0	2160	4607	6770	9332	15247	23368	33251	54808		
22.0	2257	4814	7075	9752	15933	24419	34746	57273		
23.0	2354	5021	7378	10170	16616	25466	36236	59729		
24.0	2450	5227	7682	10589	17300	26514	37728	62188		
25.0	2548	5435	7987	11009	17987	27567	39226	64656		
26.0	2645	5642	8292	11429	18673	28619	40722			
27.0	2742	5849	8595	11848	19358	29668	42215			
28.0	2839	6056	8900	12268	20044	30719	43711			
29.0	2937	6264	9206	12689	20732	31774	45213			

Table 2 - SV60 flow capacity for air - normal m³/h at 0°C and 1013 mbar
(calculated in accordance with AD-MERKBLATT A2 and TRD 421)

Valve size DN in/out	20/32	25/40	32/50	40/65	50/80	65/100	80/125	100/150	125/200	150/250
Orifice (mm)	17.0	23.8	30.6	38.0	50.1	59.0	73.0	91.0	105	125
Flow area (mm ²)	230	445	740	1 140	1 979	2 734	4 185	6 504	8 659	12 272
α^W (P > 4 bar)	0.78	0.86	0.76	0.68	0.64	0.71	0.66	0.70	0.72	0.73

Set pressure (bar g)	Flow capacity for air m ³ /h									
	145	304	456	472	996	1 521	2 115	3 466	4 809	6 955
0.5	145	304	456	472	996	1 521	2 115	3 466	4 809	6 955
1.0	227	480	728	973	1 578	2 419	3 383	5 514	7 621	10 975
1.5	303	643	975	1 323	2 125	3 251	4 572	7 434	10 267	14 753
2.0	377	802	1 211	1 657	2 657	4 062	5 742	9 328	12 885	18 509
2.5	450	956	1 438	1 978	3 171	4 853	6 892	11 195	15 467	22 232
3.0	522	1 107	1 656	2 289	3 672	5 627	8 026	13 015	18 018	25 924
3.5	593	1 255	1 868	2 591	4 161	6 388	9 146	14 837	20 542	29 590
4.0	660	1 411	2 074	2 858	4 670	7 157	10 184	16 785	22 986	33 029
4.5	728	1 554	2 285	3 149	5 145	7 884	11 219	18 491	25 321	36 385
5.0	795	1 697	2 496	3 439	5 619	8 611	12 254	20 196	27 657	39 741
5.5	862	1 841	2 706	3 730	6 094	9 338	13 289	21 902	29 992	43 097
6.0	929	1 984	2 917	4 020	6 568	10 065	14 324	23 607	32 328	46 452
6.5	996	2 127	3 128	4 310	7 043	10 793	15 359	25 313	34 663	49 808
7.0	1 063	2 271	3 339	4 601	7 517	11 520	16 393	27 018	36 999	53 164
7.5	1 130	2 414	3 549	4 891	7 992	12 247	17 428	28 724	39 334	56 520
8.0	1 197	2 557	3 760	5 182	8 466	12 974	18 463	30 429	41 670	59 876
8.5	1 264	2 701	3 971	5 472	8 941	13 701	19 498	32 135	44 005	63 232
9.0	1 332	2 844	4 182	5 763	9 415	14 428	20 533	33 840	46 341	66 588
9.5	1 399	2 987	4 392	6 053	9 890	15 156	21 567	35 546	48 677	69 944
10.0	1 466	3 131	4 603	6 343	10 365	15 883	22 602	37 251	51 012	73 300
11.0	1 600	3 417	5 025	6 924	11 314	17 337	24 672	40 662	55 683	80 012
12.0	1 734	3 704	5 446	7 505	12 263	18 791	26 741	44 073	60 354	86 724
13.0	1 868	3 990	5 868	8 086	13 212	20 246	28 811	47 484	65 025	93 436
14.0	2 003	4 277	6 289	8 667	14 161	21 700	30 881	50 895	69 696	100 148
15.0	2 137	4 564	6 711	9 248	15 110	23 154	32 950	54 306	74 367	106 860
16.0	2 271	4 850	7 132	9 828	16 059	24 609	35 020	57 717	79 038	113 572
17.0	2 405	5 137	7 554	10 409	17 008	26 063	37 090	61 129	83 709	
18.0	2 539	5 424	7 975	10 990	17 957	27 517	39 159	64 540	88 380	
19.0	2 674	5 710	8 397	11 571	18 906	28 972	41 229	67 951	93 051	

Continued on next page

Table 2 - SV60 flow capacity for air - normal m³/h at 0°C and 1013 mbar
 (calculated in accordance with AD-MERKBLATT A2 and TRD 421)

Valve size DN in/out	20/32	25/40	32/50	40/65	50/80	65/100	80/125	100/150	125/200	150/250
Orifice (mm)	17.0	23.8	30.6	38.0	50.1	59.0	73.0	91.0	105	125
Flow area (mm ²)	230	445	740	1 140	1 979	2 734	4 185	6 504	8 659	12 272
α^W (P > 4 bar)	0.78	0.86	0.76	0.68	0.64	0.71	0.66	0.70	0.72	0.73

Set pressure (bar g)	Flow capacity for air m ³ /h									
20.0	2 808	5 997	8 818	12 152	19 855	30 426	43 299	71 362	97 723	
21.0	2 942	6 284	9 240	12 733	20 804	31 880	45 368	74 773		
22.0	3 076	6 570	9 661	13 314	21 753	33 335	47 438	78 184		
23.0	3 210	6 857	10 083	13 894	22 702	34 789	49 507	81 595		
24.0	3 345	7 144	10 504	14 475	23 651	36 243	51 577	85 006		
25.0	3 479	7 430	10 926	15 056	24 600	37 698	53 647	88 417		
26.0	3 613	7 717	11 347	15 637	25 549	39 152	55 716			
27.0	3 747	8 004	11 769	16 218	26 498	40 606	57 786			
28.0	3 882	8 290	12 190	16 799	27 447	42 061	59 856			
29.0	4 016	8 577	12 612	17 379	28 397	43 515	61 925			
30.0	4 150	8 864	13 033	17 960	29 346	44 969	63 995			
31.0	4 284	9 150	13 455	18 541	30 295	46 424	66 064			
32.0	4 418	9 437	13 876	19 122	31 244	47 878	68 134			
33.0	4 553	9 724	14 298	19 703	31 907					
34.0	4 687	10 010	14 719	20 284	32 865					
35.0	4 821	10 297	15 141	20 865	33 809					
36.0	4 955	10 583	15 562	21 445	34 749					
37.0	5 089	10 870	15 984	22 026	35 690					
38.0	5 224	11 157	16 405	22 607	36 631					
39.0	5 358	11 443	16 826	23 188	37 572					
40.0	5 492	11 730	17 248	23 769	38 514					

Table 3 - SV60 flow capacity for water in tonnes/h at 25% overpressure
(calculated in accordance with AD-MERKBLATT A2 and TRD 421)

Valve size DN in/out	20/32	25/40	32/50	40/65	50/80	65/100	80/125	100/150	125/200	150/250
Orifice (mm)	17.0	23.8	30.6	38.0	50.1	59.0	73.0	91.0	105	125
Flow area (mm ²)	230	445	740	1140	1979	2734	4185	6504	8659	12272
α_w	0.5	0.5	0.5	0.5	0.5	0.5	0.5	0.5	0.5	0.5

Set pressure (bar g)	Flow capacity for water tonnes/h									
	0.5	4.6	8.9	14.9	22.9	39.8	55.0	84.1	130.8	174.1
1.0	6.5	12.6	21.0	32.4	56.3	77.7	119.0	184.9	246.2	348.9
2.0	9.2	17.9	29.8	45.8	79.6	109.9	168.3	261.5	348.2	493.5
3.0	11.3	21.9	36.5	56.1	97.5	134.6	206.1	320.3	426.4	604.4
4.0	13.1	25.3	42.1	64.8	112.6	155.5	238.0	369.9	492.4	697.9
5.0	14.6	28.3	47.1	72.5	125.8	173.8	266.1	413.5	550.5	780.2
6.0	16.0	31.0	51.6	79.4	137.8	190.4	291.5	453.0	603.1	854.7
7.0	17.3	33.5	55.7	85.8	148.9	205.7	314.9	489.3	651.4	923.2
8.0	18.5	35.8	59.5	91.7	159.2	219.9	336.6	523.1	696.4	986.9
9.0	19.6	37.9	63.1	97.2	168.8	233.2	357.0	554.8	738.6	1046.8
10.0	20.6	40.0	66.6	102.5	178.0	245.8	376.3	584.8	778.6	1103.4
11.0	21.7	42.0	69.8	107.5	186.6	257.8	394.7	613.3	816.6	1157.3
12.0	22.6	43.8	72.9	112.3	194.9	269.3	412.2	640.6	852.9	1208.7
13.0	23.5	45.6	75.9	116.9	202.9	280.3	429.1	666.8	887.7	1258.1
14.0	24.4	47.3	78.8	121.3	210.6	290.9	445.3	691.9	921.2	1305.6
15.0	25.3	49.0	81.5	125.5	218.0	301.1	460.9	716.2	953.5	1351.4
16.0	26.1	50.6	84.2	129.7	225.1	310.9	476.0	739.7	984.8	1395.7
17.0	26.9	52.2	86.8	133.7	232.0	320.5	490.7	762.5	1015.1	
18.0	27.7	53.7	89.3	137.5	238.8	329.8	504.9	784.6	1044.6	
19.0	28.5	55.1	91.7	141.3	245.3	338.8	518.7	806.1	1073.2	
20.0	29.2	56.6	94.1	145.0	251.7	347.6	532.2	827.0	1101.1	
21.0	29.9	58.0	96.5	148.6	257.9	356.2	545.3	847.4		
22.0	30.6	59.3	98.7	152.0	264.0	364.6	558.2	867.4		
23.0	31.3	60.7	100.9	155.5	269.9	372.8	570.7	886.9		
24.0	32.0	62.0	103.1	158.8	275.7	380.8	583.0	906.0		
25.0	32.6	63.2	105.2	162.1	281.4	388.7	595.0	940.0		
26.0	33.3	64.5	107.3	165.3	287.0	396.4	606.8			
27.0	33.9	65.7	109.4	168.4	292.4	403.9	618.4			
28.0	34.6	66.9	111.4	171.5	297.8	411.3	629.7			
29.0	35.2	68.1	113.3	174.6	303.1	418.6	640.9			

Continued on next page

Table 3 - SV60 flow capacity for water in tonnes/h at 25% overpressure
(calculated in accordance with AD-MERKBLATT A2 and TRD 421)

Valve size DN in/out	20/32	25/40	32/50	40/65	50/80	65/100	80/125	100/150	125/200	150/250
Orifice (mm)	17.0	23.8	30.6	38.0	50.1	59.0	73.0	91.0	105	125
Flow area (mm ²)	230	445	740	1140	1979	2734	4185	6504	8659	12272
α_w	0.5	0.5	0.5	0.5	0.5	0.5	0.5	0.5	0.5	0.5

Set pressure (bar g)	Flow capacity for water tonnes/h									
	30.0	35.8	69.3	115.3	177.6	308.2	425.8	651.8		
31.0	36.4	70.4	117.2	180.5	313.3	432.8	662.6			
32.0	36.9	71.6	119.1	183.4	318.3	439.7	673.2			
33.0	37.5	72.7	120.9	186.2	323.3					
34.0	38.1	73.8	122.7	189.0	328.1					
35.0	38.6	74.8	124.5	191.8	332.9					
36.0	39.2	75.9	126.3	194.5	337.7					
37.0	39.7	76.9	128.0	197.2	342.3					
38.0	40.3	78.0	129.7	199.8	346.9					
39.0	40.8	79.0	131.4	202.4	351.4					
40.0	41.3	80.0	133.1	205.0	355.9					

Table 4 α_w /Kdr values for SV60 safety valves

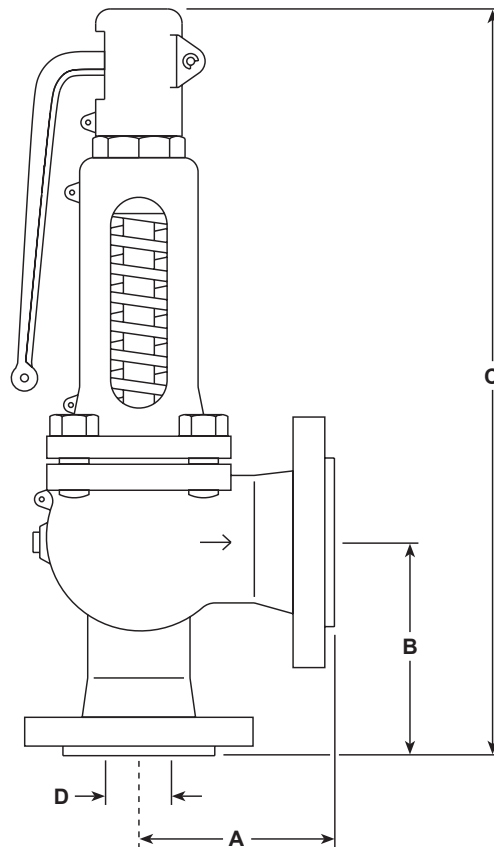
Size	Set pressure (bar g)								
	0.2 - 0.49	0.5 - 0.99	1.0 - 1.49	1.5 - 1.99	2.0 - 2.49	2.5 - 2.99	3.0 - 3.49	3.5 - 3.99	Above 4.0
DN20 x DN32	0.56	0.62	0.69	0.73	0.75	0.76	0.77	0.78	0.78
DN25 x DN40	0.62	0.67	0.75	0.80	0.82	0.84	0.85	0.85	0.86
DN32 x DN50	0.56	0.60	0.68	0.73	0.75	0.76	0.76	0.76	0.76
DN40 x DN65	0.45	0.51	0.59	0.64	0.66	0.68	0.68	0.68	0.68
DN50 x DN80	0.47	0.49	0.55	0.59	0.61	0.63	0.63	0.63	0.64
DN65 x DN100	0.50	0.55	0.61	0.66	0.68	0.69	0.70	0.71	0.71
DN80 x DN125	0.45	0.50	0.56	0.60	0.63	0.64	0.65	0.66	0.66
DN100 x DN150	0.48	0.52	0.59	0.63	0.66	0.67	0.68	0.69	0.70
DN125 x DN200	0.50	0.55	0.61	0.65	0.68	0.70	0.71	0.72	0.72
DN150 x DN250	0.51	0.56	0.62	0.66	0.69	0.71	0.72	0.73	0.73

Sizing and selection

Refer to:- <http://www.spiraxsarco.com/prs/product-sizing.asp>

Dimensions/weights (approximate) in mm and kg

Size Inlet/Outlet	Dimensions				Weight	
	A	B	C	Flow Ø D	SV604	SV607
DN20 - DN32	85	95	385	17.0	10.5	10.5
DN25 - DN40	100	105	435	23.8	12.5	11.5
DN32 - DN50	110	115	450	30.6	16.0	15.0
DN40 - DN65	115	140	520	38.0	18.0	18.0
DN50 - DN80	120	150	535	50.1	20.0	22.0
DN65 - DN100	140	170	710	59.0	40.0	38.0
DN80 - DN125	160	195	790	73.0	56.0	53.0
DN100 - DN150	180	220	835	91.0	77.0	75.0
DN125 - DN200	200	250	1042	105.0	120.0	115.0
DN150 - DN250	225	285	1165	125.0	190.0	180.0



Safety information, installation and maintenance

For full details see the Installation and Maintenance Instructions (IM-P137-01) supplied with the product.

Installation note:

The safety valve should always be fitted with the centre line of the spring housing vertically above the valve. Open bonnet valves are recommended for all steam boiler applications and **must be used** for valves fitted with Tungsten alloy springs.

SV60 safety valve selection guide:

Model type	SV60	SV60
Body material	4 = Carbon steel 7 = SG iron	4
Configuration	A = Closed bonnet/easing lever B = Closed bonnet/sealed cap C = Closed bonnet/packed lever (DN20 to DN100 only) D = Open bonnet/easing lever	A
Seal material	S = Stainless steel with chrome-vanadium alloy steel spring T = Stainless steel with tungsten alloy steel spring (only available in combination with the 'D' (open bonnet) configuration)	S
Size	DN20 to DN150	DN20
Inlet connection	PN16 (DN65 to DN150 only), PN25, PN40 or ASME (ANSI) 300	PN40

Selection example	SV60	4	A	S	DN20	PN40
--------------------------	-------------	----------	----------	----------	-------------	-------------

How to order example

1 off Spirax Sarco SV604AS, DN20 flanged PN40 safety valve with a set pressure of 6 bar g.