



STS17.2

Stainless Steel

Compact Pipeline Connector Steam Trapping Station

Description

The STS17.2 compact pipeline connector steam trapping station has been designed to provide a convenient ready to install trapping solution, which includes: upstream and downstream isolation valves (2), body incorporating quickfit connector + strainer (1) and check valve blanking plug (16).

Available types

The STS17.2 is available with either single or double upstream isolation.

The STS17.2 trapping solution incorporates Spirax Sarco quickfit technology, which allows speedy trap maintenance. The following swivel connector steam traps (sold separately) can be used with this pipeline connector enabling it to be tailored to suit any application:

- **UTD30** and **UTD52** thermodynamic steam traps.
- **UBP32** balanced pressure steam trap.
- **USM** bimetallic steam trap.
- **UFT32** ball float steam trap.
- **UIB30** and **UIB30H** inverted bucket steam traps.

Standards

These products fully comply with the requirements of the Pressure Equipment Directive (PED).

Certification

These products are available with certification to EN 10204 3.1.

Note: All certification/inspection requirements must be stated at the time of order placement. For other certification contact Spirax Sarco.

Sizes and pipe connections

½", ¾" and 1" screwed BSP, NPT or socket weld.
½", ¾" and 1" ASME 150 and ASME 300.
DN15, DN20 and DN25 flanged EN 1092 PN40.

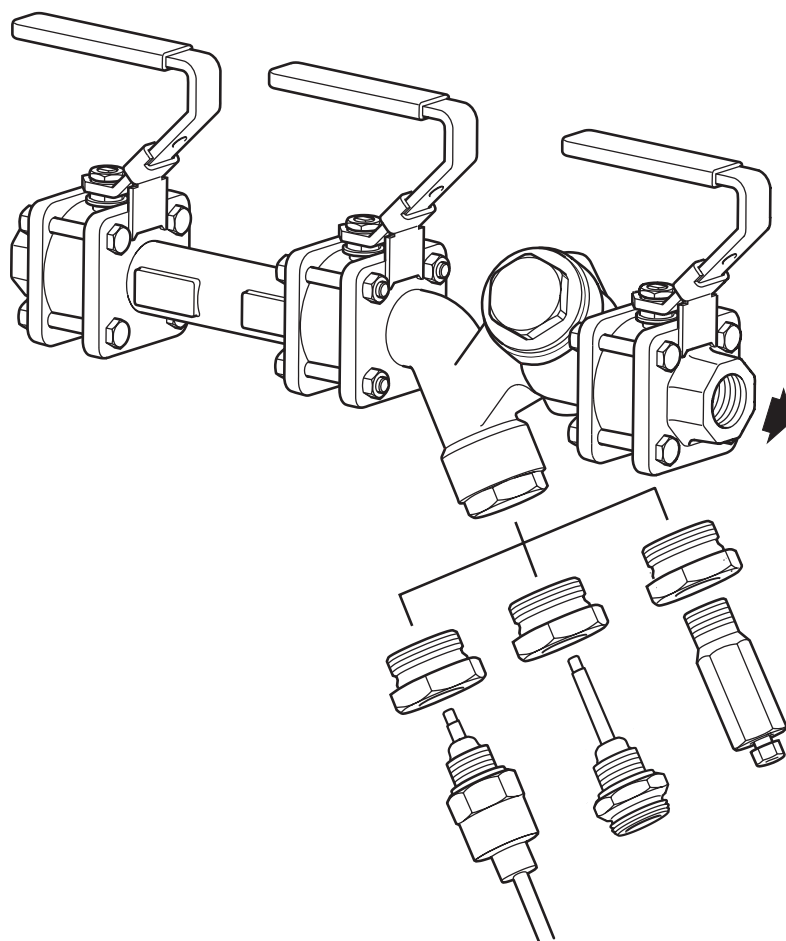
Optional extras

Integral sensor type SSL1 (steam only) or **WLSL1** (for waterlogging) for use with R1C or **WLSL1 with DIODE** for use with RI6C are available as optional extras, to enable operational monitoring of the steam trap. **Please note** that the optional Spiratec **SSL1** and **WLSL1** sensors **must not be fitted when the STS17.2 is installed in a vertical application**. However a sensor can be fitted to a UTD30 steam trap if fitted.

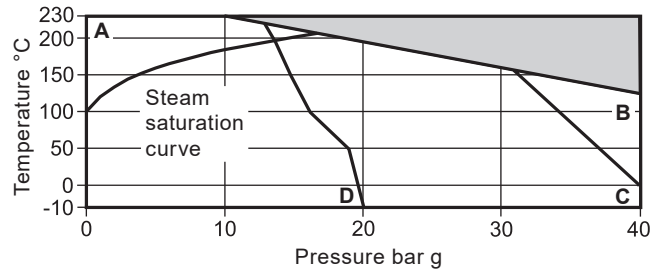
BDV1 blowdown valve is also available for cleaning the strainer during operation. Care should be taken when using the BDV1 blowdown valve as the discharge may be hot. Please note that a BDV1 cannot be used when a Spiratec sensor has been chosen to be part of the unit.

Retrofit double isolation valve and spool piece to convert a single upstream isolation version to double isolation.

Insulation jacket is available to reduce heat loss and energy wastage. See separate literature.



Pressure / temperature limits



The product **must not** be used in this region.

A - B Screwed, socket weld, butt weld and flanged ANSI 300.

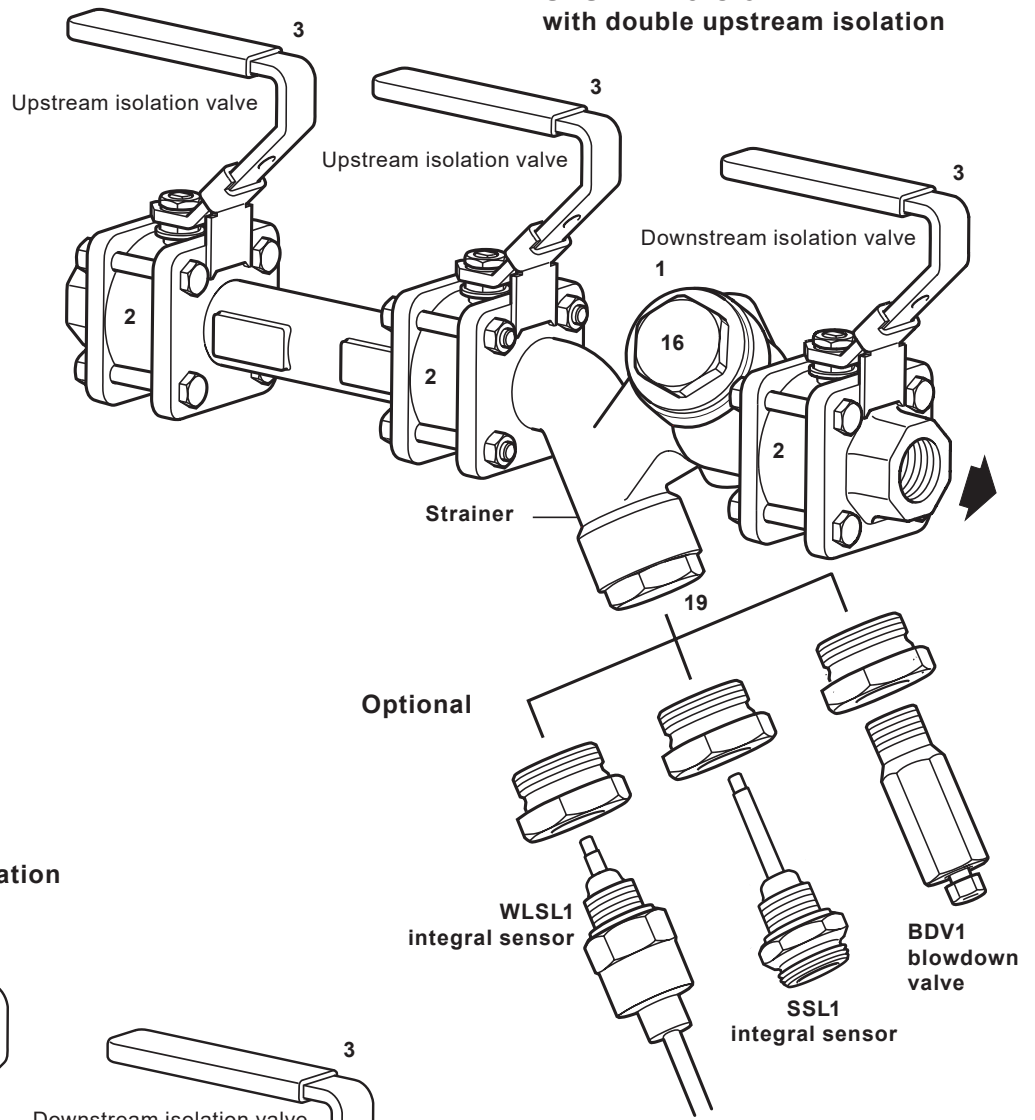
A - C Flanged EN 1092 PN40.

A - D Flanged JIS/KS 20K.

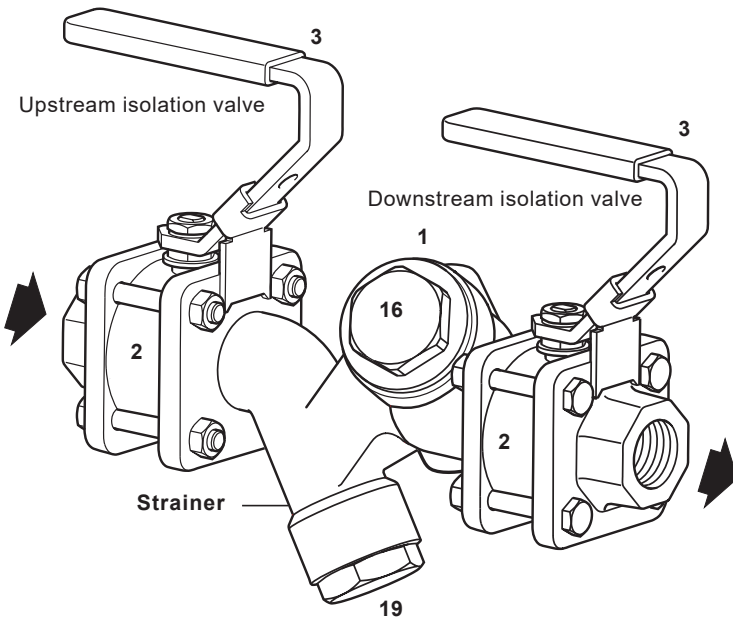
Body design conditions		PN40
PMA	Maximum allowable pressure	40 bar g @ 120 °C
TMA	Maximum allowable temperature	230 °C @ 10 bar g
	Minimum allowable temperature	-10 °C
PMO	Maximum operating pressure for saturated steam service	ANSI 150
		All other connections
		13.2 bar g
		17.5 bar g
TMO	Maximum operating temperature	230 °C @ 10 bar g
	Minimum operating temperature	-10 °C
Note: For lower operating temperatures consult Spirax Sarco		
	Designed for a maximum cold hydraulic test pressure of:	60 bar g

Materials

**STS17.2 version
with double upstream isolation**



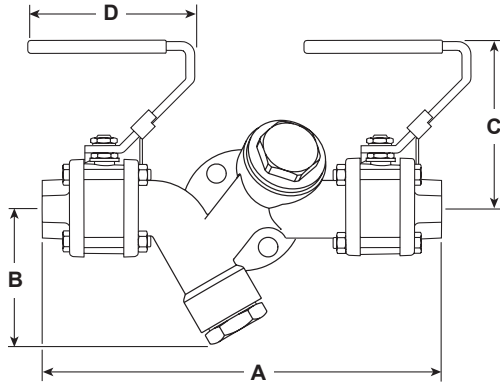
**STS17.2 version
with single upstream isolation**



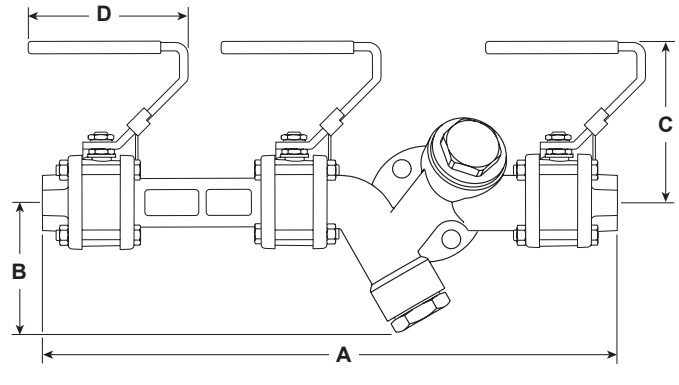
No.	Part	Material	
1	Body	Stainless steel	ASTM A351 Gr. CF8
2	Isolation ball valves	Stainless steel	ASTM A182 F316L
3	Handle	Mild steel ENP coated	
16	Check valve blanking plug	Stainless steel	ASTM A276 431
19	Strainer cap	Stainless steel	ASTM A582 416

Dimensions/weights (approximate) in mm and kg

STS17.2 with single upstream isolation



STS17.2 with double upstream isolation



Isolation	Size and connection	Dimension mm				Weight kg
		A	B	C	D	
Single	½" BSP, ½" NPT and ½" SW	222	76	93	90	3.60
	¾" BSP and ¾" NPT	222	76	93	90	3.53
	¾" SW	213	76	93	90	3.54
	1" BSP and 1" NPT	229	76	93	90	3.71
	1" SW	269	76	93	90	3.86
	½" ASME 150	268	76	93	90	4.45
	½" ASME 300	294	76	93	90	4.98
	DN15 EN 1092 PN40	284	76	93	90	5.12
	¾" ASME 150	272	76	93	90	4.67
	¾" ASME 300	306	76	93	90	5.98
	DN20 EN 1092 PN40	304	76	93	90	5.74
	1" ASME 150	271	76	93	90	4.96
	1" ASME 300	309	76	93	90	6.64
	DN25 EN 1092 PN40	304	76	93	90	6.24

Isolation	Size and connection	Dimension mm				Weight kg
		A	B	C	D	
Double	½" BSP, ½" NPT and ½" SW	350	76	93	90	5.32
	¾" BSP and ¾" NPT	350	76	93	90	5.25
	¾" SW	341	76	93	90	5.26
	1" BSP and 1" NPT	357	76	93	90	5.43
	1" SW	397	76	93	90	5.58
	½" ASME 150	396	76	93	90	6.17
	½" ASME 300	422	76	93	90	6.70
	DN15 EN 1092 PN40	412	76	93	90	6.84
	¾" ASME 150	400	76	93	90	6.39
	¾" ASME 300	434	76	93	90	7.70
	DN20 EN 1092 PN40	432	76	93	90	7.46
	1" ASME 150	399	76	93	90	6.68
	1" ASME 300	437	76	93	90	8.36
	DN25 EN 1092 PN40	432	76	93	90	7.97

Safety information, installation and maintenance

For full details see the Installation and Maintenance Instructions (IM-P128-23) supplied with the product.

How to order

Example: 1 off Spirax Sarco ½" screwed BSP STS17.2 stainless steel pipeline compact connector steam trapping station, having a Spiratec SSL1 sensor.

Spare parts

The spare parts are available as indicated below. No other parts are supplied as spares.

Available spares	Isolation ball valve seat and stem seals	8, 9
	Strainer screen and gasket	21, 22
Spare sensor and sensor gasket	SSL1 Spiratec sensor	23
	WLSL1 diode waterlogging sensor	24
Spiratec retrofit kit	Note: State whether an SSL1 or WLSL1 sensor is required.	20, 21 + 23 or 24
Check valve assembly		17, 18
Double isolation conversion kit (includes spool piece and additional isolation valve)		X
BDV1 blowdown valve retrofit kit		20, 21 + 25

How to order spares

Always order spares using the description given in the column headed 'Available spares' and state the size and model number.

Example: 1 - 1 off Spare Spiratec sensor and sensor gasket with WLSL1 diode waterlogging sensor for a ½" STS17.2 compact pipeline connector steam trapping station.

