

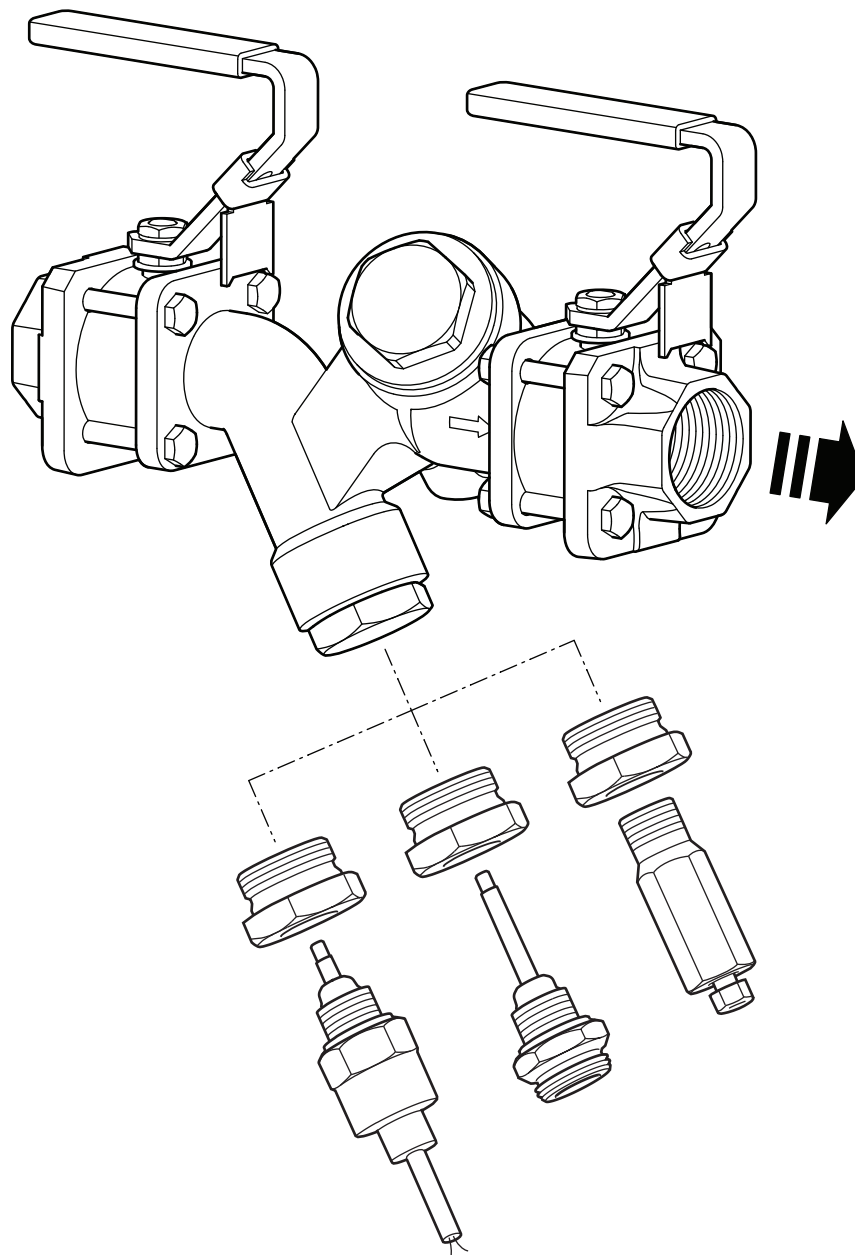
spirax sarco

STS17.2

Stainless Steel Compact Pipeline Connector Steam Trapping Station

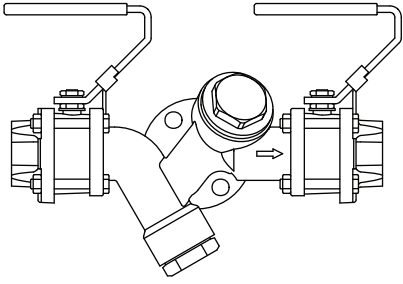
Description

The STS17.2 compact pipeline connector steam trapping station has been designed to provide a convenient ready to install trapping solution, which includes: upstream and downstream isolation valves, body incorporating quickfit connector + strainer and check valve blanking plug.

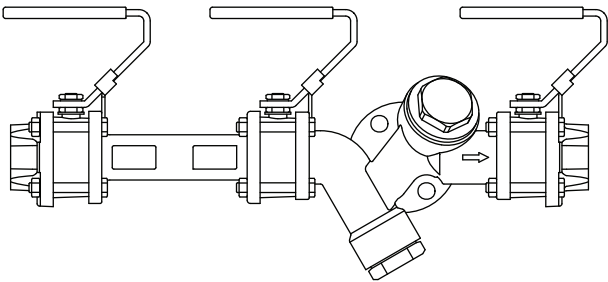


Available types

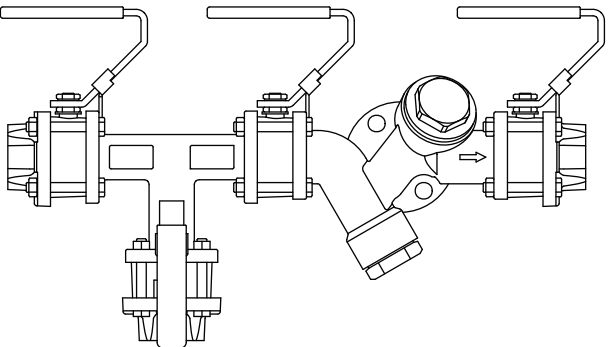
The STS17.2 is available in Single, Double or Double Block and Bleed variations, see below:



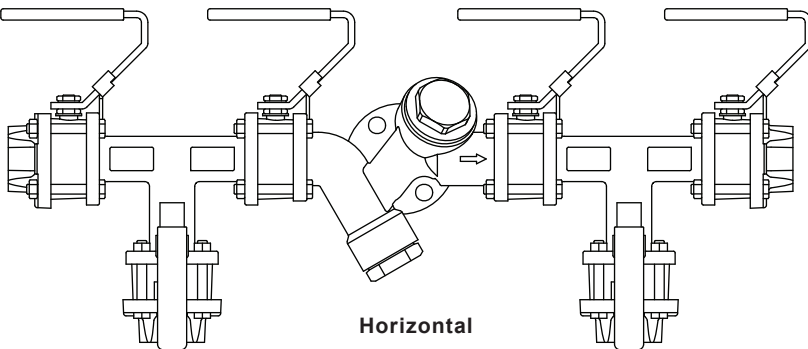
Single Isolation (SB)



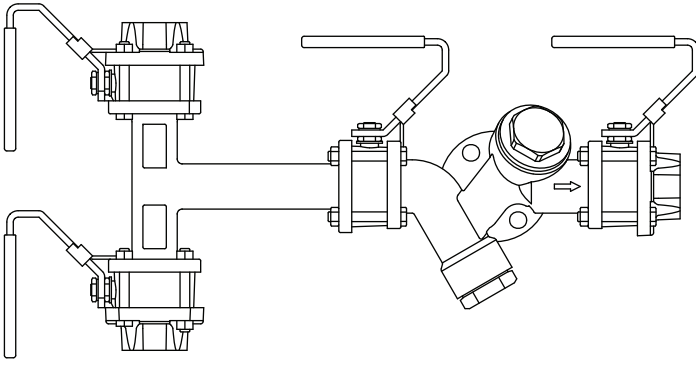
Double Isolation Upstream (DB US)



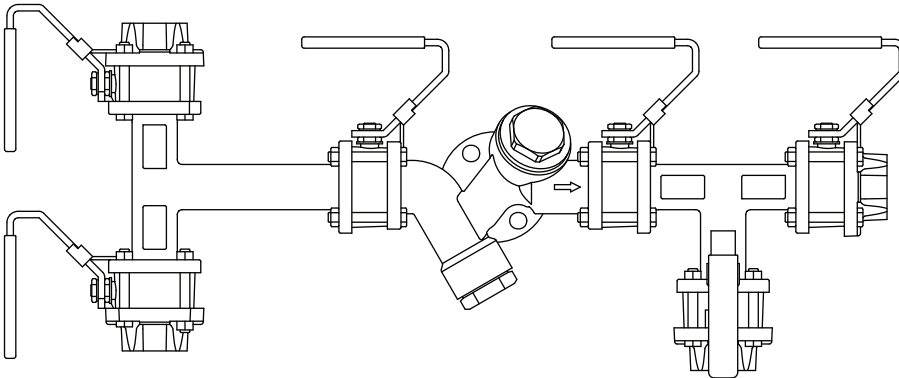
Double Block and Bleed Upstream Horizontal (DBB USH)



Double Block and Bleed Upstream Horizontal Downstream Horizontal (DBB USH DSH)



Double Block and Bleed Upstream Vertical (DBB USV)



Double Block and Bleed Upstream Vertical Downstream Horizontal (DBB USV DSH)

The DBB (Double Block and Bleed) variation provides enhanced safety and possibility to drain the steam trapped between the isolation valves by adding a T shaped connection.

The STS17.2 trapping solution incorporates Spirax Sarco quickfit technology, which allows speedy trap maintenance. The following swivel connector steam traps (sold separately) can be used with this pipeline connector enabling it to be tailored to suit any application:

- **UTD26** and **UTD52** thermodynamic steam traps.
- **UBP32** balanced pressure steam trap.
- **USM** bimetallic steam trap.
- **UFT32** ball float steam trap.
- **UIB30** and **UIB30H** inverted bucket steam traps.

Standards

These products fully comply with the requirements of the European Pressure Equipment Directive 2014/68/EU.

Certification

These products are available with certification to EN 10204 3.1.

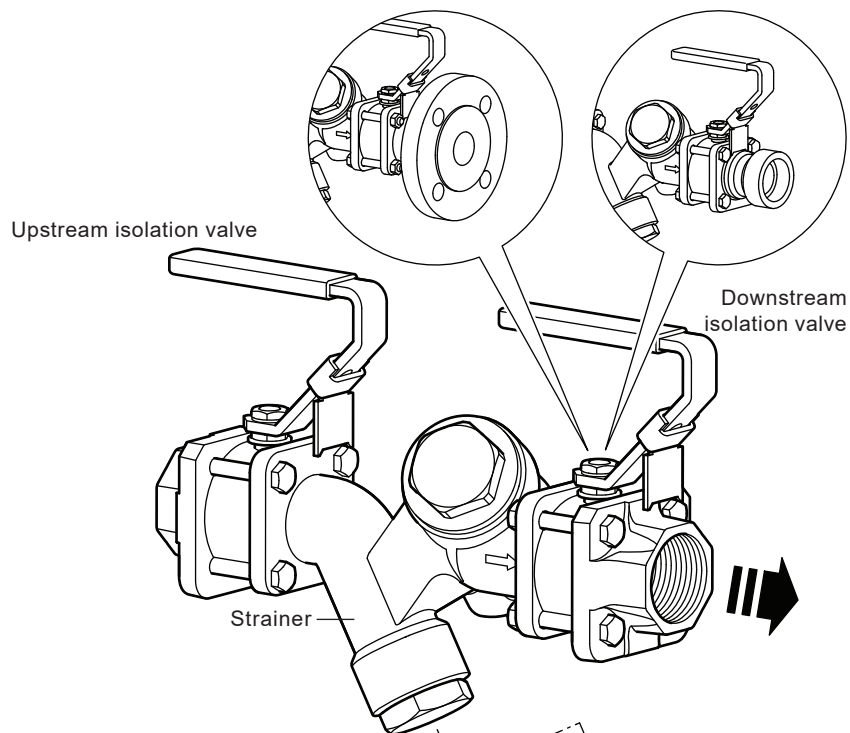
Note: All certification/inspection requirements must be stated at the time of order placement.
For other certification contact Spirax Sarco.

Sizes and pipe connections

½", ¾" and 1" screwed BSP T Rp (ISO 7-1), NPT or socket weld.

½", ¾" and 1" ASME 150 and ASME 300.

DN15, DN20 and DN25 flanged EN 1092 PN40.



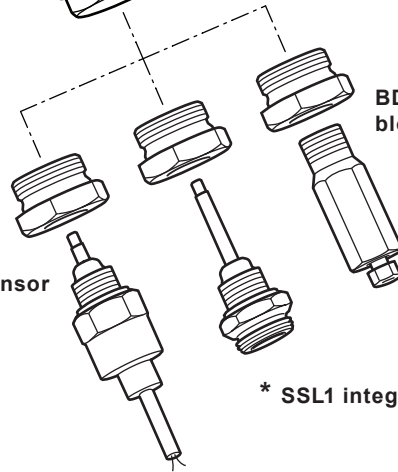
Optional

* Please note that the optional Spiratec SSL1 and WLSL1 sensors must not be fitted when the STS17.2 is installed in a vertical application.

* WLSL1 integral sensor

* SSL1 integral sensor

BDV1
blowdown valve



Optional extras

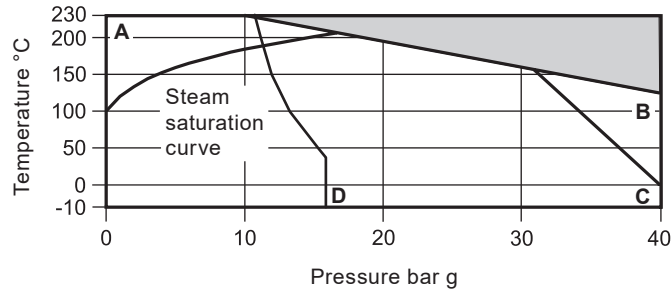
Integral sensor type SSL1 (steam only) or **WLSL1** (for waterlogging) for use with R1C or **WLSL1 with DIODE** for use with R16C are available as optional extras, to enable operational monitoring of the steam trap. **Please note** that the optional Spiratec **SSL1** and **WLSL1** sensors **must not be fitted when the STS17.2 is installed in a vertical application.**

BDV1 blowdown valve is also available for cleaning the strainer during operation. Care should be taken when using the BDV1 blowdown valve as the discharge may be hot. Please note that a BDV1 cannot be used when a Spiratec sensor has been chosen to be part of the unit.

Retrofit double isolation valve and spool piece to convert a single upstream isolation version to double isolation.

Insulation jacket is available to reduce heat loss and energy wastage. See separate literature.

Pressure/temperature limits



The product **must not** be used in this region.

A - B Screwed, socket weld, butt weld and flanged ANSI 300.

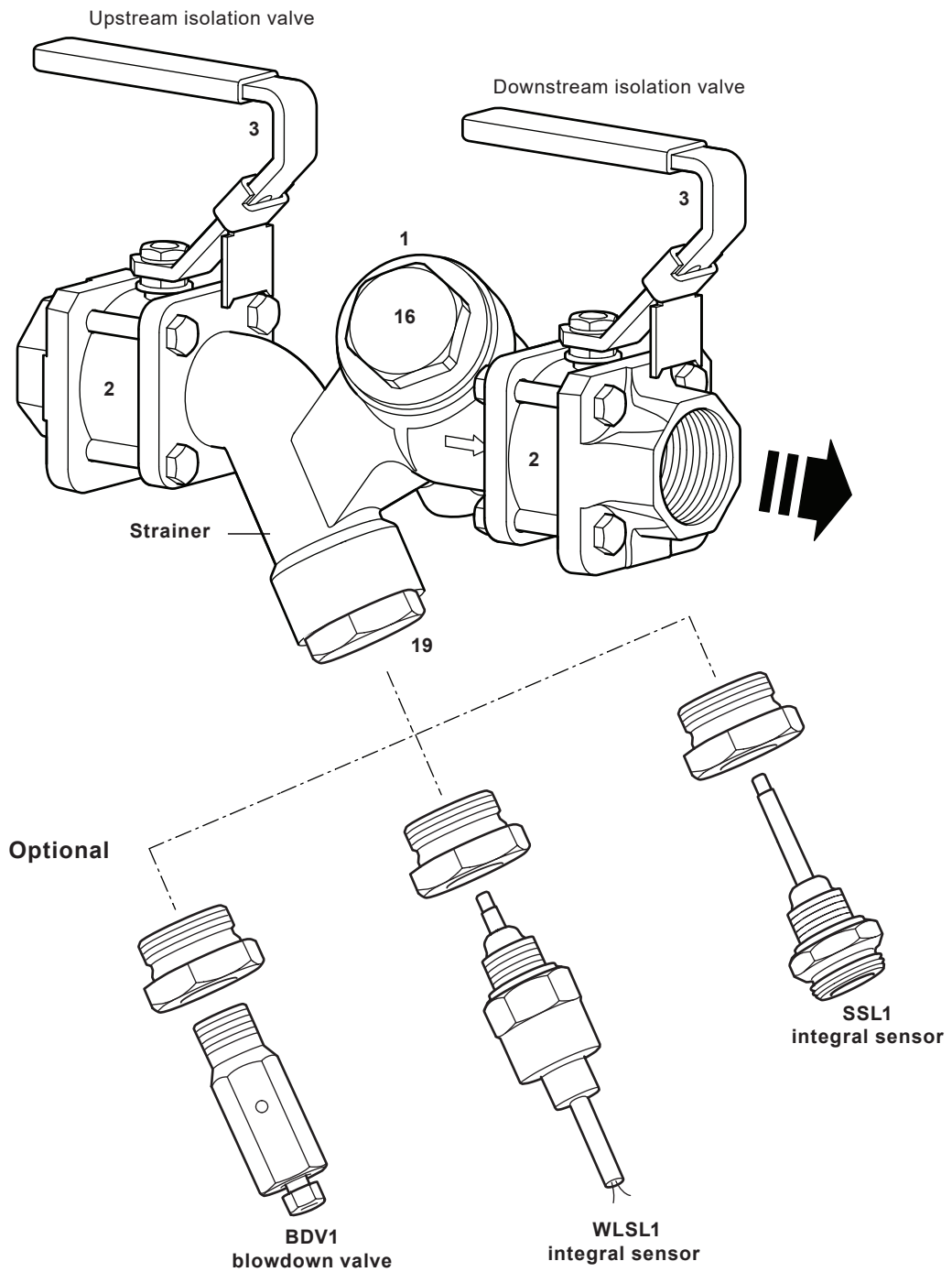
A - C Flanged EN 1092 PN40.

A - D Flanged ASME Class 150.

Body design conditions		PN40
PMA	Maximum allowable pressure	40 bar g @ 120 °C
TMA	Maximum allowable temperature	230 °C @ 10 bar g
	Minimum allowable temperature	-10 °C
PMO	Maximum operating pressure for saturated steam service	ANSI 150 11.3 bar g All other connections 17.5 bar g
TMO	Maximum operating temperature	230 °C @ 10 bar g
	Minimum operating temperature	-10 °C
Note: For lower operating temperatures consult Spirax Sarco		
Product is safe for use under full vacuum conditions		
	Designed for a maximum cold hydraulic test pressure of:	60 bar g

Materials

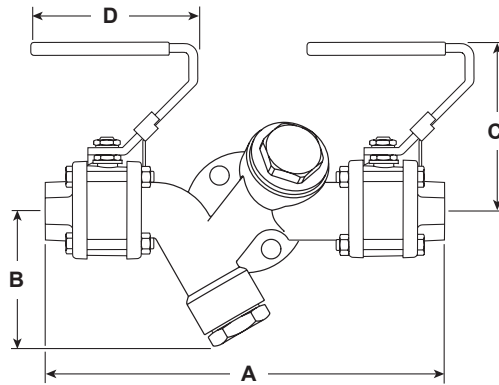
STS17.2 version with single isolation



No.	Part	Material	
1	Body	Stainless steel	ASTM A351 Gr. CF8
2	Isolation ball valves	Stainless steel	ASTM A182 F316L
3	Handle	Stainless steel	AISI 316
16	Check valve blanking plug	Stainless steel	ASTM A276 431
19	Strainer cap	Stainless steel	ASTM A582 416

Dimensions/weights (approximate) in mm and kg

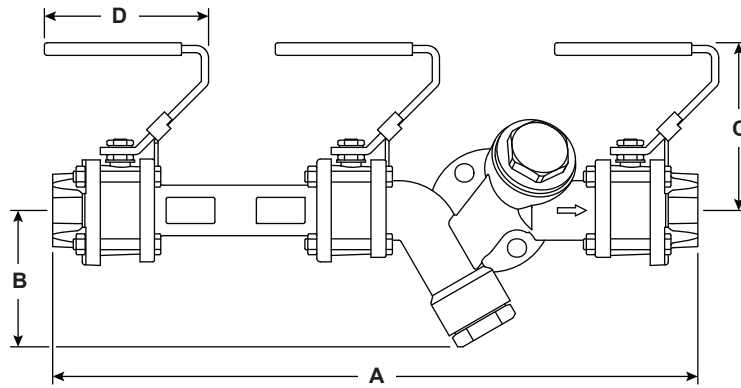
Single Isolation (SB)



Isolation	Size and connection	Dimension mm				Weight kg
		A	B	C	D	
Single	½" BSP T Rp (ISO 7-1), ½" NPT and ½" SW	222	76	93	90	3.60
	¾" BSP T Rp (ISO 7-1) and ¾" NPT	222	76	93	90	3.53
	¾" SW	213	76	93	90	3.54
	1" BSP T Rp (ISO 7-1) and 1" NPT	229	76	93	90	3.71
	1" SW	269	76	93	90	3.86
	½" ASME 150	268	76	93	90	4.45
	½" ASME 300	294	76	93	90	4.98
	DN15 EN 1092 PN40	284	76	93	90	5.12
	¾" ASME 150	272	76	93	90	4.67
	¾" ASME 300	306	76	93	90	5.98
	DN20 EN 1092 PN40	304	76	93	90	5.74
	1" ASME 150	271	76	93	90	4.96
	1" ASME 300	309	76	93	90	6.64
	DN25 EN 1092 PN40	304	76	93	90	6.24

Dimensions/weights (approximate) in mm and kg

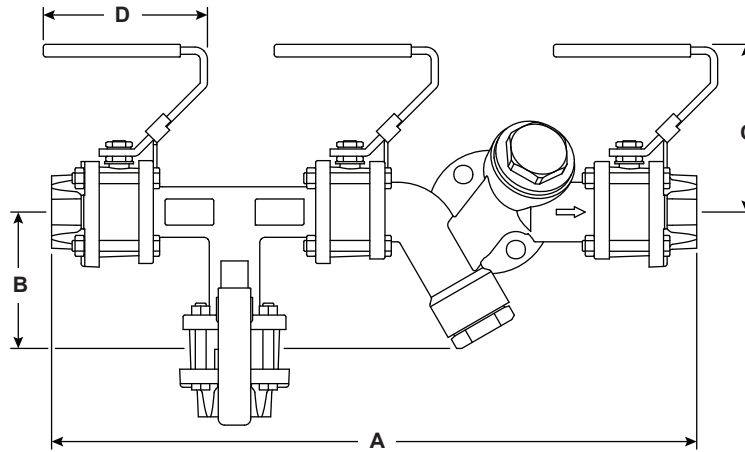
Double Isolation Upstream (DB US)



Isolation	Size and connection	Dimension mm				Weight kg
		A	B	C	D	
Double	½" BSP T Rp (ISO 7-1), ½" NPT and ½" SW	350	76	93	90	5.32
	¾" BSP T Rp (ISO 7-1) and ¾" NPT	350	76	93	90	5.25
	¾" SW	341	76	93	90	5.26
	1" BSP T Rp (ISO 7-1) and 1" NPT	357	76	93	90	5.43
	1" SW	397	76	93	90	5.58
	½" ASME 150	396	76	93	90	6.17
	½" ASME 300	422	76	93	90	6.70
	DN15 EN 1092 PN40	412	76	93	90	6.84
	¾" ASME 150	400	76	93	90	6.39
	¾" ASME 300	434	76	93	90	7.70
	DN20 EN 1092 PN40	432	76	93	90	7.46
	1" ASME 150	399	76	93	90	6.68
	1" ASME 300	437	76	93	90	8.36
	DN25 EN 1092 PN40	432	76	93	90	7.97

Dimensions/weights (approximate) in mm and kg

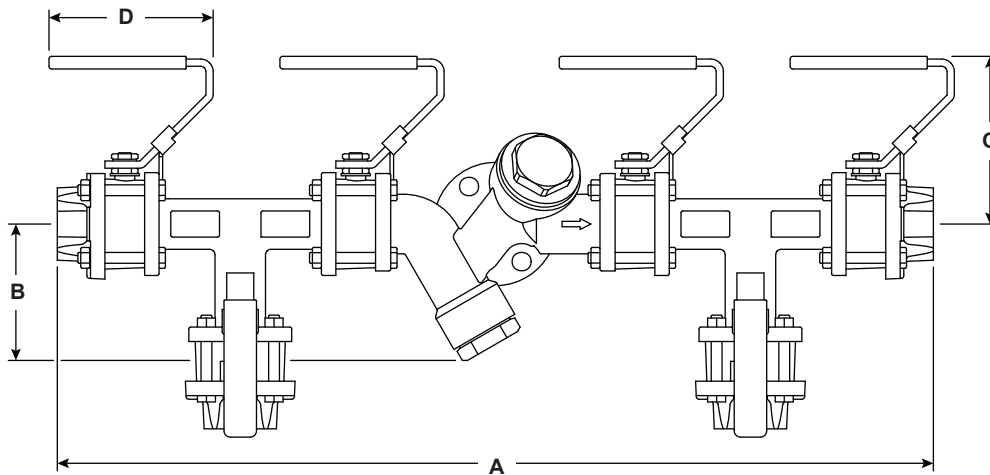
Double Block and Bleed Upstream Horizontal (DBB USH)



STS17.2 type	Size and connection	Dimension mm				Weight kg
		A	B	C	D	
DBB USH	½" BSP T Rp (ISO 7-1)	351	118	93	90	6.37
DBB USH	½" NPT	351	118	93	90	6.37
DBB USH	½" SW	351	118	93	90	6.67
DBB USH	½" ASME 150	397	141	93	90	9.77
DBB USH	½" ASME 300	423	154	93	90	10.9
DBB USH	½" PN40	413	149	93	90	11.04
DBB USH	¾" BSP T Rp (ISO 7-1)	351	118	93	90	6.37
DBB USH	¾" NPT	351	118	93	90	6.37
DBB USH	¾" SW	342	118	93	90	6.67
DBB USH	¾" ASME 150	401	143	93	90	9.77
DBB USH	¾" ASME 300	435	160	93	90	10.9
DBB USH	¾" PN40	433	159	93	90	11.04
DBB USH	1" BSP T Rp (ISO 7-1)	358	118	93	90	6.52
DBB USH	1" NPT	358	118	93	90	6.52
DBB USH	1" SW	398	138	93	90	6.82
DBB USH	1" ASME 150	400	139	93	90	10.07
DBB USH	1" ASME 300	438	158	93	90	11.5
DBB USH	1" PN40	433	156	93	90	11.64

Dimensions/weights (approximate) in mm and kg

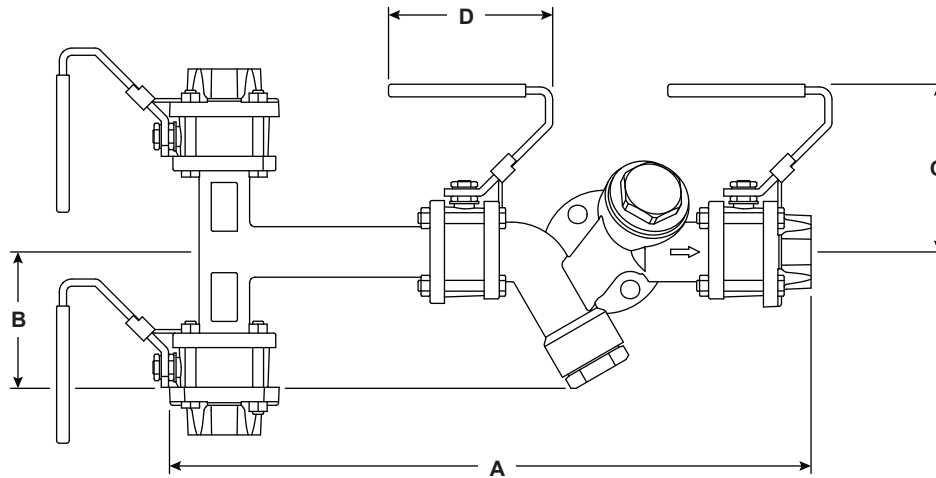
Double Block and Bleed Upstream Horizontal Downstream Horizontal (DBB USH DSH)



STS17.2 type	Size and connection	Dimension mm				Weight kg
		A	B	C	D	
DBB USH DSH	½" BSP T Rp (ISO 7-1)	479	118	93	90	8.64
DBB USH DSH	½" NPT	479	118	93	90	8.64
DBB USH DSH	½" SW	479	118	93	90	9.04
DBB USH DSH	½" ASME 150	525	141	93	90	12.89
DBB USH DSH	½" ASME 300	551	154	93	90	14.22
DBB USH DSH	½" PN40	541	149	93	90	14.36
DBB USH DSH	¾" BSP T Rp (ISO 7-1)	479	118	93	90	8.64
DBB USH DSH	¾" NPT	479	118	93	90	8.64
DBB USH DSH	¾" SW	470	118	93	90	9.04
DBB USH DSH	¾" ASME 150	529	143	93	90	12.89
DBB USH DSH	¾" ASME 300	563	160	93	90	14.22
DBB USH DSH	¾" PN40	561	159	93	90	14.36
DBB USH DSH	1" BSP T Rp (ISO 7-1)	486	118	93	90	8.84
DBB USH DSH	1" NPT	486	118	93	90	8.84
DBB USH DSH	1" SW	526	138	93	90	9.24
DBB USH DSH	1" ASME 150	528	139	93	90	13.29
DBB USH DSH	1" ASME 300	566	158	93	90	15.02
DBB USH DSH	1" PN40	561	156	93	90	15.16

Dimensions/weights (approximate) in mm and kg

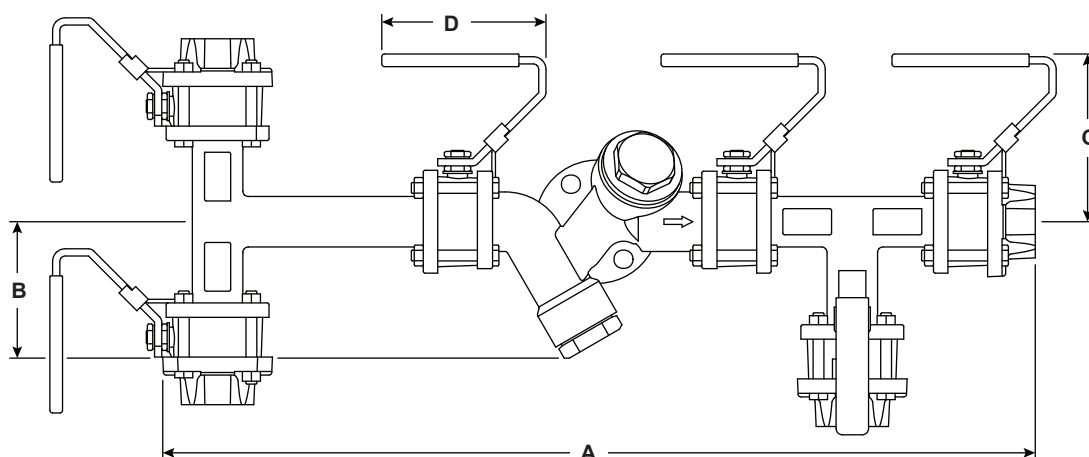
Double Block and Bleed Upstream Vertical (DBB USV)



STS17.2 type	Size and connection	Dimension mm				Weight kg
		A	B	C	D	
DBB USV	½" BSP T Rp (ISO 7-1)	414	106	93	90	6.57
DBB USV	½" NPT	414	106	93	90	6.57
DBB USV	½" SW	414	106	93	90	6.87
DBB USV	½" ASME 150	437	129	93	90	9.97
DBB USV	½" ASME 300	450	142	93	90	11.1
DBB USV	½" PN40	445	137	93	90	11.24
DBB USV	¾" BSP T Rp (ISO 7-1)	414	106	93	90	6.57
DBB USV	¾" NPT	414	106	93	90	6.57
DBB USV	¾" SW	411	106	93	90	6.87
DBB USV	¾" ASME 150	439	131	93	90	9.97
DBB USV	¾" ASME 300	456	148	93	90	11.1
DBB USV	¾" PN40	455	147	93	90	11.24
DBB USV	1" BSP T Rp (ISO 7-1)	418	106	93	90	6.72
DBB USV	1" NPT	418	106	93	90	6.72
DBB USV	1" SW	438	126	93	90	7.02
DBB USV	1" ASME 150	439	127	93	90	10.27
DBB USV	1" ASME 300	458	146	93	90	11.7
DBB USV	1" PN40	456	144	93	90	11.84

Dimensions/weights (approximate) in mm and kg

Double Block and Bleed Upstream Vertical Downstream Horizontal (DBB USV DSH)



STS17.2 type	Size and connection	Dimension mm				Weight kg
		A	B	C	D	
DBB USV DSH	½" BSP T Rp (ISO 7-1)	542	118	93	90	8.84
DBB USV DSH	½" NPT	542	118	93	90	8.84
DBB USV DSH	½" SW	542	118	93	90	9.24
DBB USV DSH	½" ASME 150	565	141	93	90	13.09
DBB USV DSH	½" ASME 300	578	154	93	90	14.42
DBB USV DSH	½" PN40	573	149	93	90	14.56
DBB USV DSH	¾" BSP T Rp (ISO 7-1)	542	118	93	90	8.84
DBB USV DSH	¾" NPT	542	118	93	90	8.84
DBB USV DSH	¾" SW	538	118	93	90	9.24
DBB USV DSH	¾" ASME 150	567	143	93	90	13.09
DBB USV DSH	¾" ASME 300	584	160	93	90	14.42
DBB USV DSH	¾" PN40	583	159	93	90	14.56
DBB USV DSH	1" BSP T Rp (ISO 7-1)	546	118	93	90	9.04
DBB USV DSH	1" NPT	546	118	93	90	9.04
DBB USV DSH	1" SW	566	138	93	90	9.44
DBB USV DSH	1" ASME 150	567	139	93	90	13.49
DBB USV DSH	1" ASME 300	586	158	93	90	15.22
DBB USV DSH	1" PN40	584	156	93	90	15.36

Safety information, installation and maintenance

For full details see the Installation and Maintenance Instructions (IM-P128-23) supplied with the product.

How to order

Example: 1 off Spirax Sarco ½" screwed BSP T Rp (ISO 7-1) STS17.2 stainless steel pipeline compact connector steam trapping station, having a Spiratec SSL1 sensor.

Spare parts - Double isolation conversion kit

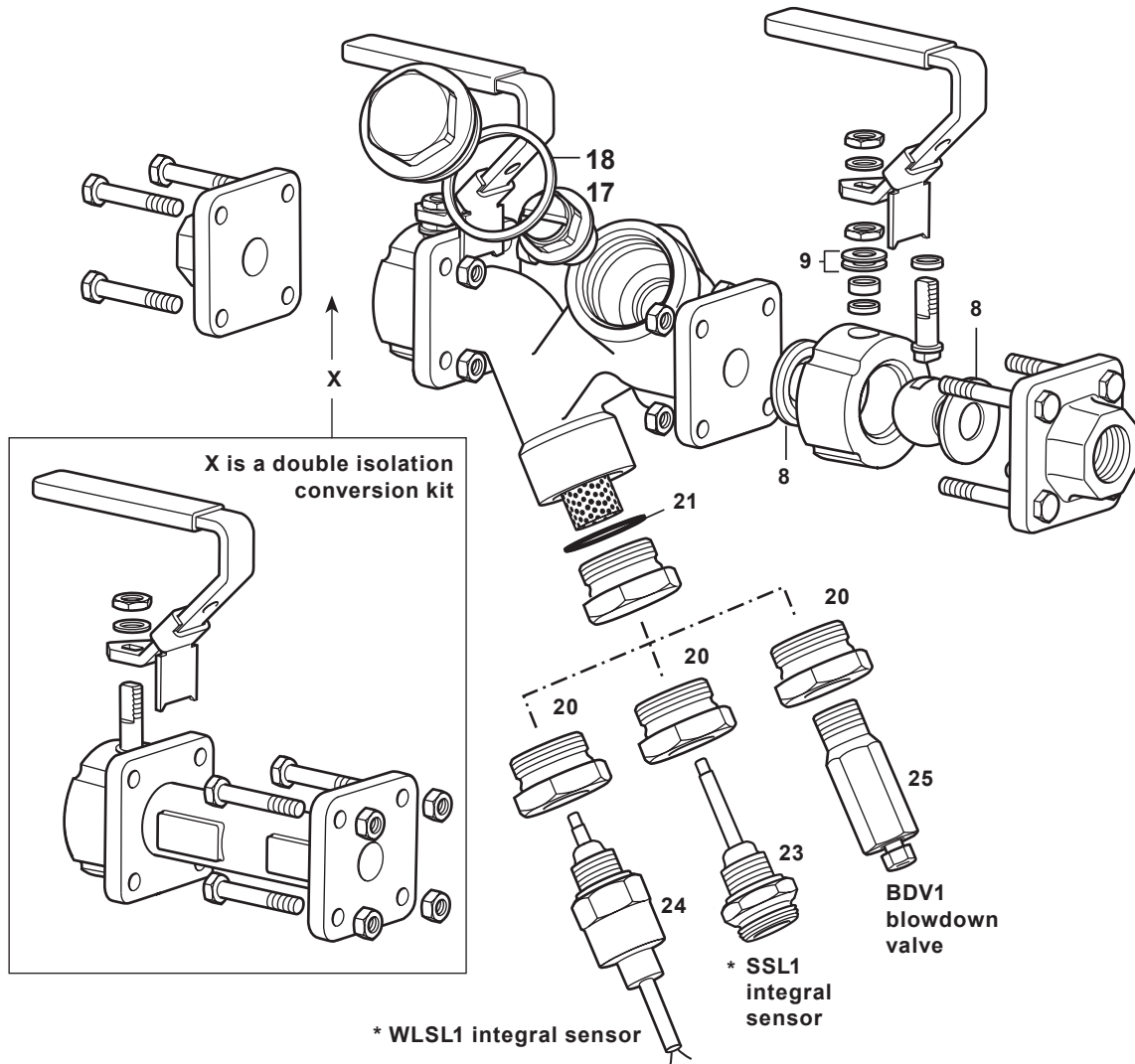
The spare parts are available as indicated below. No other parts are supplied as spares.

Available spares	Isolation ball valve seat and stem seals		8, 9	
	Strainer screen and gasket		21, 22	
	Spare sensor and sensor gasket	SSL1 Spiratec sensor		23
		WLSL1 diode waterlogging sensor		24
	Spiratec retrofit kit	Note: State whether an SSL1 or WLSL1 sensor is required.		20, 21 + 23 or 24
	Check valve assembly			17, 18
	Double isolation conversion kit (includes spool piece and additional isolation valve)			X
	BDV1 blowdown valve retrofit kit			20, 21 + 25

How to order spares

Always order spares using the description given in the column headed 'Available spares' and state the size and model number.

Example: 1 - 1 off Spare Spiratec sensor and sensor gasket with WLSL1 diode waterlogging sensor for a 1/2" STS17.2 compact pipeline connector steam trapping station.



Spare parts - Double Block and Bleed conversion kit

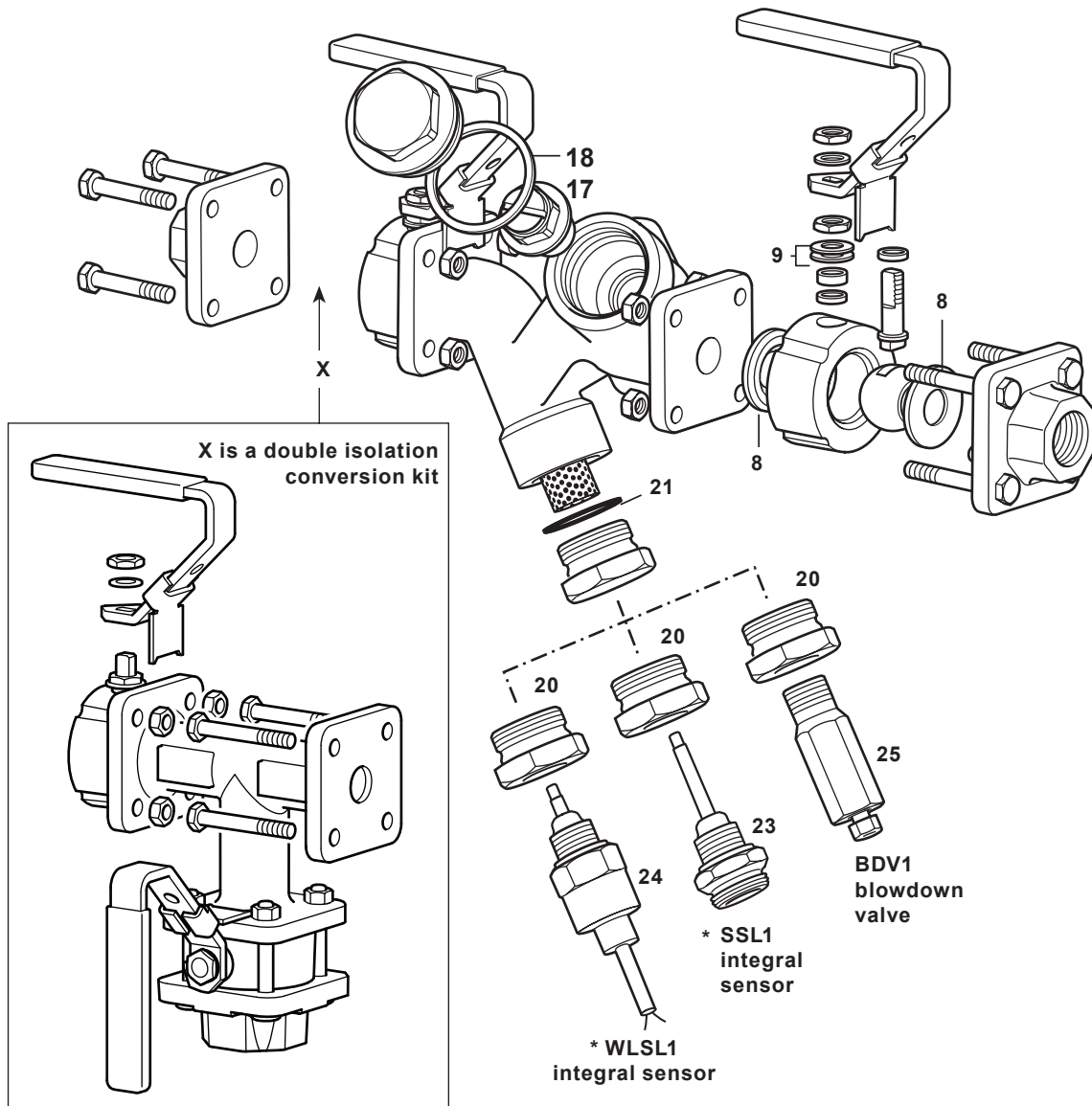
The spare parts are available as indicated below. No other parts are supplied as spares.

Available spares	Isolation ball valve seat and stem seals		8, 9	
	Strainer screen and gasket		21, 22	
	Spare sensor and sensor gasket	SSL1 Spiratec sensor		23
		WLSL1 diode waterlogging sensor		24
	Spiratec retrofit kit	Note: State whether an SSL1 or WLSL1 sensor is required.		20, 21 + 23 or 24
	Check valve assembly			17, 18
	Double Block and Bleed conversion kit (includes spool piece, connectors additional isolation valves and their bolts/studs/nuts)			X
	BDV1 blowdown valve retrofit kit			20, 21 + 25

How to order spares

Always order spares using the description given in the column headed 'Available spares' and state the size and model number.

Example: 1 - 1 off Spare Spiratec sensor and sensor gasket with WLSL1 diode waterlogging sensor for a 1/2" STS17.2 compact pipeline connector steam trapping station.



How to order*

Product Description	STS17.2	Steam trapping station
Connection size	1/2"	Ø1/2" Connection
	3/4"	Ø3/4" Connection
	1"	Ø1" Connection
Connection type	BSP	BSP T Rp (ISO 7-1) Threaded (both ends)
	NPT	NPT Threaded (both ends)
	SW	Socket Weld (both ends)
	ASME 150	ASME B16.5 Cl.150 (both ends)
	ASME 300	ASME B16.5 Cl.300 (both ends)
	PN40	BS EN 1092-1 (both ends)
Isolation quantity	SB	Single Isolation
	DB	Double Isolation
	DBB	Double Block and Bleed
Upstream connection orientation	US	Upstream (only used for DB)
	USH	Upstream Horizontal (Only used for DBB)
	USV	Upstream Vertical (Only used for DBB)
Downstream connection orientation**	DSH	Downstream Horizontal (Only used for DBB)

* These combinations are Spirax Sarco standard, for any other combination or special item addition please get in touch.

** This cell will be left blank when the intention is to not have any downstream connection.