



## Piping Installation Diagrams for Compact Steam Trapping Stations

### Description

The diagrams and images shown on this document depict the piping arrangements of the standard range of Spirax Sarco pipeline connectors and traps.

Other special configurations can also be supplied to meet individual customer needs - consult Spirax Sarco.

Pipeline connectors can be used with the 'Universal' range of traps supplied by Spirax Sarco.

For full details on compatible universal traps, see Page 4.

### Connector attributes table

Model	PC10HP	PC20	IPC20	IPC21	PC30	PC3000	PC3001	PC40	PC4000	PC4001	STS17.2
Rating	Class 600	Class 300	Class 300	Class 300	Class 600	Class 600	Class 600	Class 600	Class 600	Class 600	PN40
Horizontal	•	•	•	•	•	•	•	•	•	•	•
Vertical	•	•			•			•			
Strainer		•	•	•		•	•		•	•	•
Spira-tec *			•	•							
Upstream isolation					•	•	•	•	•	•	• **
Downstream isolation								•	•	•	• ***
Bypass							•			•	
Trap vent						•	•		•	•	
Trap test									•	•	
STAPS ISA100	•	•	•	•	•	•	•	•	•	•	•
TI reference	P128-10	P128-15	P128-17	P128-17	P128-34	P128-34	P128-34	P128-33	P128-33	P128-33	P128-22

N/A

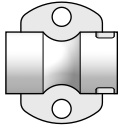

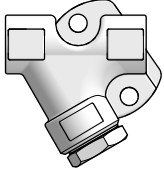
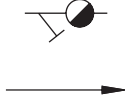
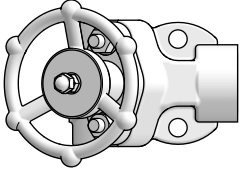

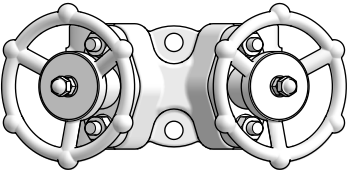

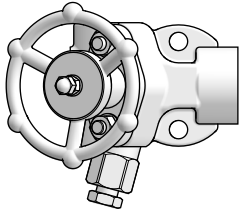
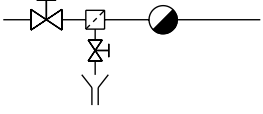
Consult Spirax Sarco

Optional

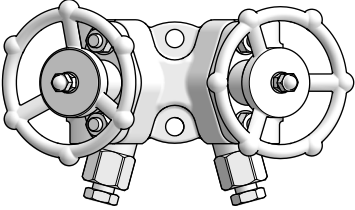
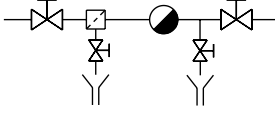
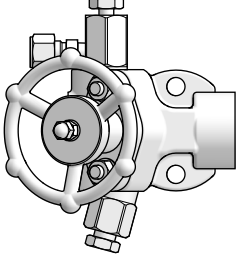
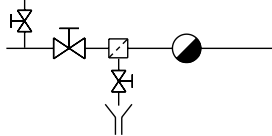
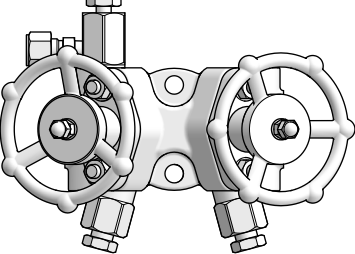
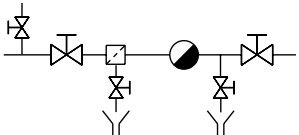
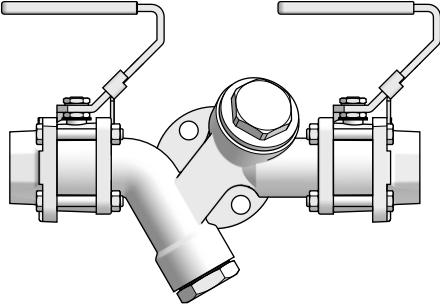
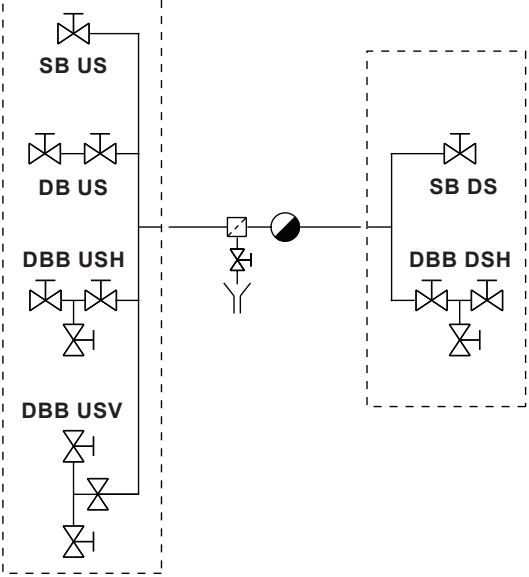
\* See relevant TI for available sensor options

\*\* Double Isolation (DB) and Double Block and Bleed (DBB) options available in horizontal and vertical orientations

\*\*\* Double Block and Bleed (DBB) option available in horizontal orientation

	Nomenclature and description (See note below)	Installation diagram
	<p><b>PC10 and PC10HP</b></p> <p><b>'Universal'</b></p> <p>Straight connector 360°C</p>	
	<p><b>PC20</b></p> <p>Straight connector with strainer left to right</p> <p>(IPC20 and IPC21) (Includes sensor)</p>	
	<p><b>PC30</b></p> <p><b>'Universal'</b></p> <p>Left to right or Right to left</p>	
	<p><b>PC40</b></p> <p><b>'Universal'</b></p> <p>Left to right or Right to left</p>	
	<p><b>PC3000</b></p> <p><b>'Universal'</b></p> <p>Left to right or Right to left</p>	

**Note:** The maximum operating limits of the complete assembly will be dictated by the connector / trap combination. Reference the specific steam trap Technical Information Sheet for its maximum pressure / temperature limitations.

	Nomenclature and description (See note below)	Installation diagram
	<p><b>PC4000</b></p> <p>'Universal'</p> <p>Left to right or Right to left</p>	
	<p><b>PC3001</b></p> <p>'Universal'</p> <p>Left to right or Right to left</p>	
	<p><b>PC4001</b></p> <p>'Universal'</p> <p>Left to right or Right to left</p>	
	<p><b>STS17.2</b></p> <p>'Universal'</p> <p>Left to right or Right to left</p>	

**Note:** The maximum operating limits of the complete assembly will be dictated by the connector / trap combination. Reference the specific steam trap Technical Information Sheet for its maximum pressure / temperature limitations.

### Universal trap compatibility table

Model	PC10HP	PC20	IPC20	IPC21	PC30	PC3000	PC3001	PC40	PC4000	PC4001	STS17.2
UBP32	•				•	•	•	•	•	•	•
USM21	•	•	•	•	•	•	•	•	•	•	•
USM32	•	•	•	•	•	•	•	•	•	•	•
UFT32	•	•		•	•	•	•	•	•	•	•
UIB30 UIB30H	•	•		•	•	•	•	•	•	•	•
UIB45	•	•			•	•	•	•	•	•	
UTD26L/LA UTD26H/HA		•	•	•		•	•		•	•	•
UTD26LY/LAY UTD26HY/HAY	•	•	•	•	•	•	•	•	•	•	•
UTD30LA UTD30HA	•				•	•	•	•	•	•	•
UTDS46M	•				•	•	•	•	•	•	

- Limited by trap rating
- Limited by connector rating
- A strainer should be installed upstream of the trap