

## SPV1 and SPV3 Sequencing Purge Valves

### Description

The Spirax Sarco sequencing purge valve is normally fitted to a Spirax Sarco C2 probe chamber.

It allows the daily (or once per shift) test of the low level alarm system, and blow through of the probe chamber water and steam connections in accordance with UK Health and Safety Executive Guidance Note BG01 and INDG436.

The valve opens the connections to drain separately and in sequence to blow them through and prevent the accumulation of deposits.

When the steam connection is opened to drain, the chamber is emptied of water, which simulates a low water level alarm.

Its design ensures that it is impossible to leave the valve in the wrong position since the drain connection is always open when either the steam or water connection is shut-off.

An index plate behind the handwheel indicates the valve position.

Two versions of the valve are available;

**SPV1** having a Cast iron body or **SPV3** having a bronze body.

### Principal features:

- Special valve seat provides tight shut-off.
- Index plate indicates valve position.
- Replaces individual isolating valves - increased safety.

### Sizes and pipe connections

**SPV1** DN25 Flanged to EN 1092 PN16

**SPV3** DN25 Flanged to EN 1092 PN40 or BS 10 Table H

### Limiting conditions

|   | SPV1<br>PN16 | SPV3<br>PN40 | SPV3<br>Table 'H' |
|---|--------------|--------------|-------------------|
| Maximum boiler pressure                                 | 13 bar g     | 25 bar g     | 25 bar g          |
| Designed for a maximum cold hydraulic test pressure of: | 24 bar g     | 60 bar g     | 51 bar g          |

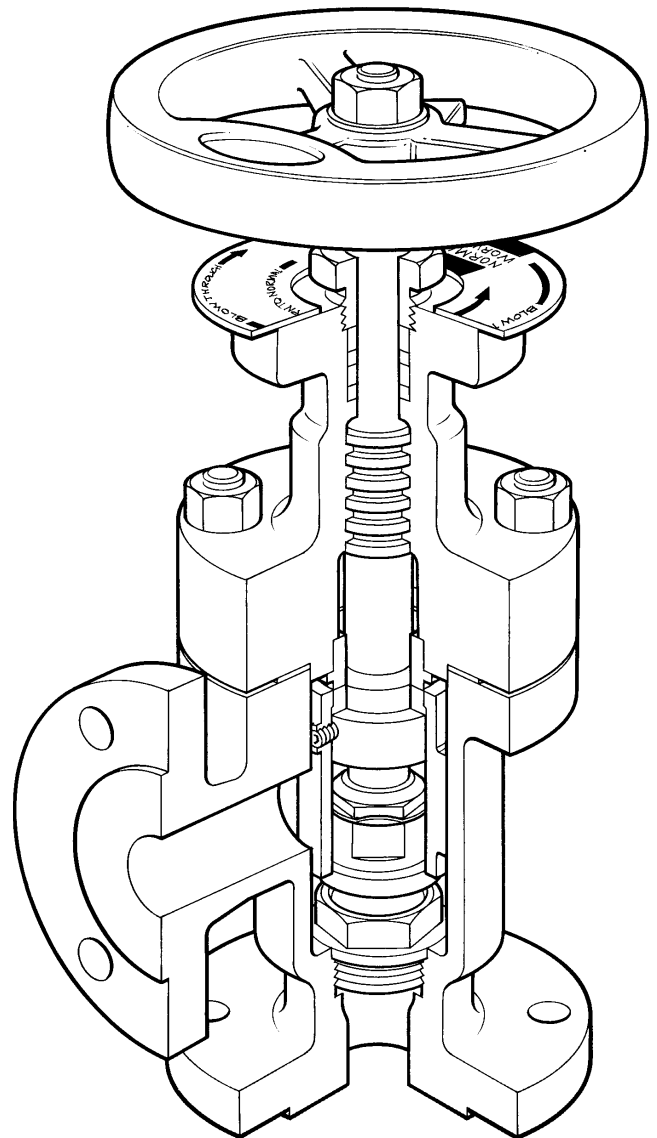
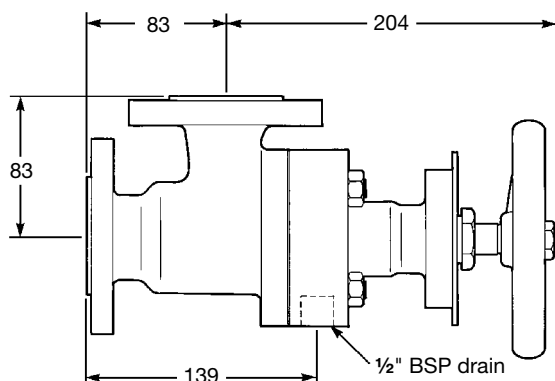
### Standards

The SPV3 fully meets BS 759: Part 1: 1984.

### Materials

| Part                       | Material  |                       |
|----------------------------|-----------|-----------------------|
| <b>SPV1</b> Body and cover | Cast iron | BS 1452 Gr. 220 (min) |
| <b>SPV3</b> Body and cover | Bronze    | BS EN 1982 CC491K     |

### Dimensions (approximate) in millimetres

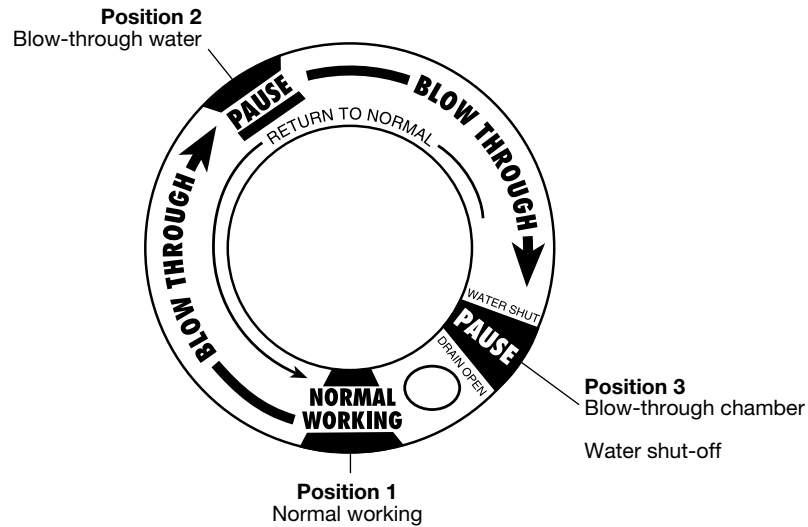


### Weights (approximate) in kg

| Model  | SPV1 | SPV3 |
|--------|------|------|
| Weight | 9    | 10   |

## Face view of index plate

Illustrating blow-through sequence



### Operation of sequencing valve

With the handwheel turned fully anticlockwise the valve is in the **NORMAL WORKING** position and the back seating shuts off the drain connection.

Slowly turn the handwheel clockwise until the indicating pointer is at the first **PAUSE** position.

The chamber connection is closed, the drain connection is open, and the water connection is blown through.

Pause for 5 to 8 seconds.

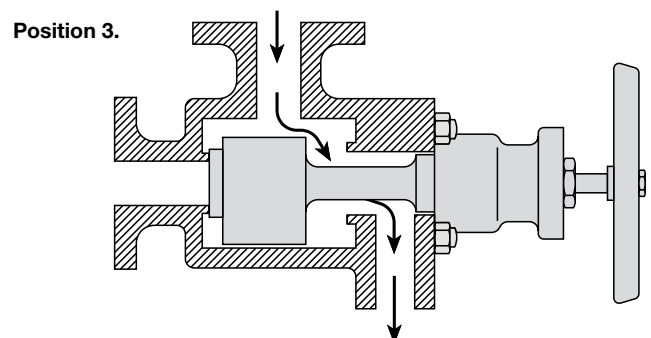
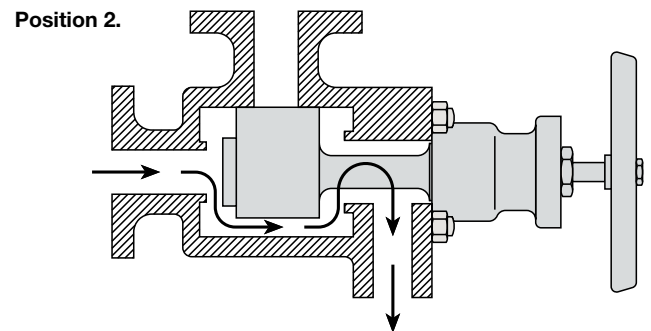
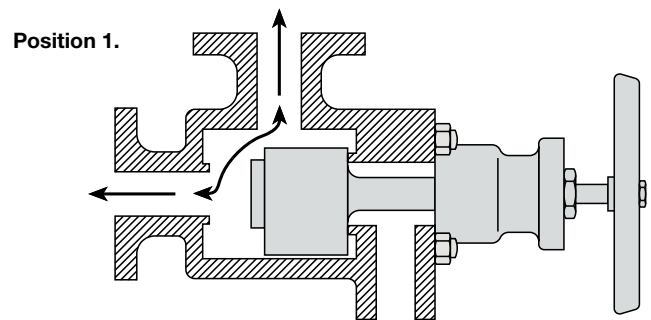
Slowly move the handwheel further clockwise to full travel.

The water connection is closed, the drain valve remains open, and the chamber and steam connections are blown through.

Pause for 5 to 8 seconds. The low level alarm should sound.

Slowly turn the handwheel fully clockwise to shut-off against the back seating in the **NORMAL WORKING** position.

### Valve sequence



### How to order

**Example:** 1 off Spirax Sarco DN25 SPV3 sequencing purge valve with flanged connections to EN 1092 PN40.