



Balanced and Multi-stage Trim Options for Spira-trol™ Two-port Control Valves

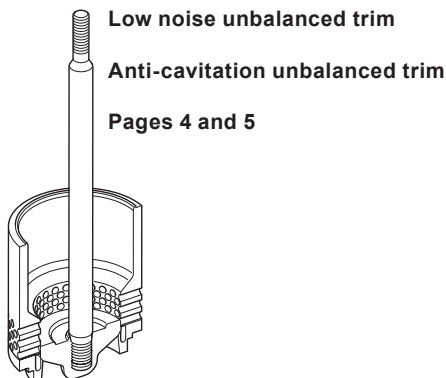
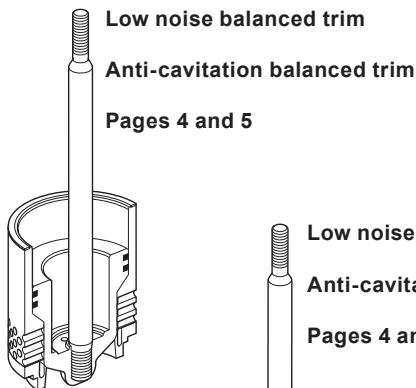
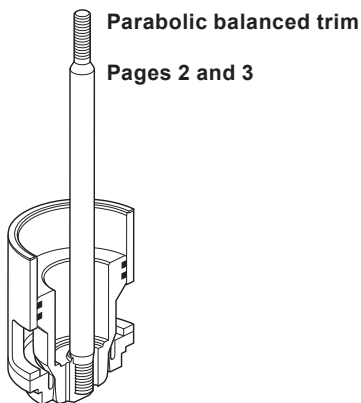
Description

The Spira-trol™ range of two-port valves is available with alternative trim options to make it possible to select a valve configuration to suit an individual application. This Technical Information sheet covers balanced and multi-stage trim options and should be used in conjunction with the appropriate valve Technical Information sheet.

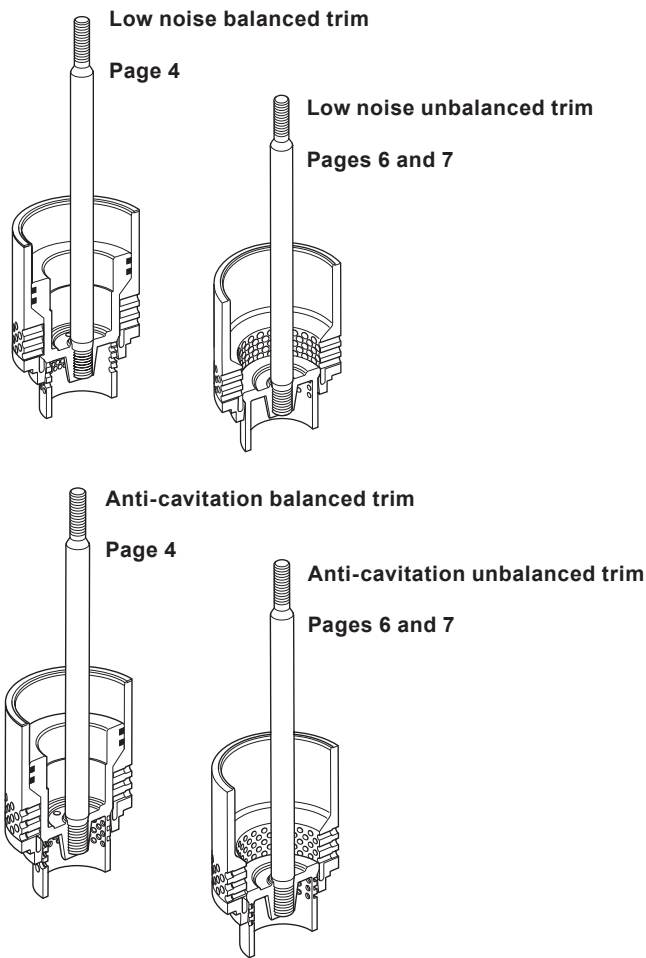
Pressure / temperature limits

Please see the product specific Technical Information (TI) sheet for valve limitations.

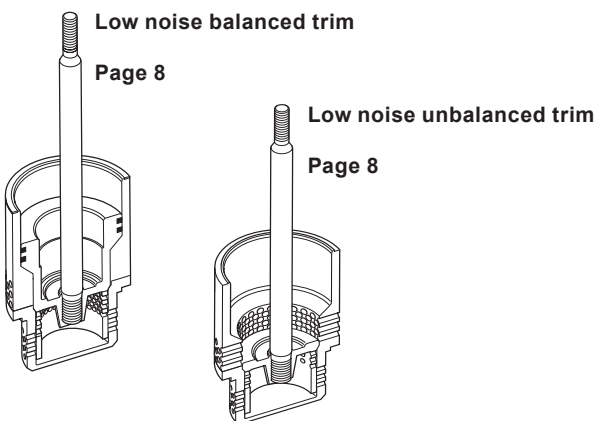
1 stage



2 stage



3 stage



1 stage parabolic balanced trim

Model availability

This trim is available for the Spira-trol™ JE, JEA, KE, KEA and LEA only.

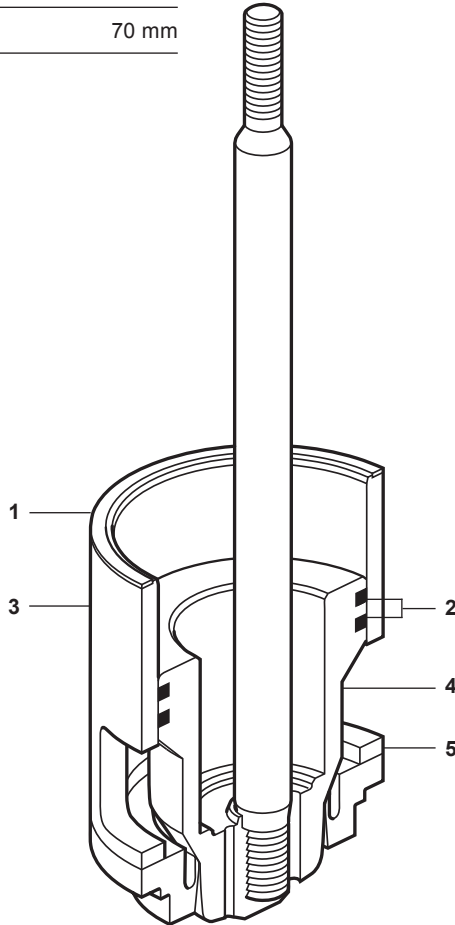
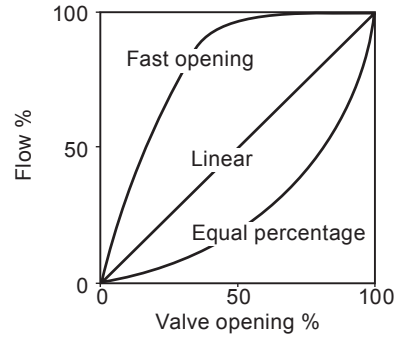
Sizes

DN40, DN50, DN65, DN80, DN100, DN125, DN150, DN200, DN250 and DN300.

Technical data

Trim design	Parabolic	
Leakage	Metal-to-metal	Class IV
	Soft seal	Class IV
Rangeability	Equal %	50:1
	Linear	30:1
	Fast	10:1
Travel	DN40 to DN50	20 mm
	DN65 to DN100	30 mm
	DN125 to DN300	70 mm

Typical flow characteristic curves



Materials

No.	Part	Material
1	Cage gasket	Reinforced exfoliated graphite
2	Plug seal	Graphite
3	Cage retainer	CF8M
4	Plug and stem	431 stainless steel / 316L stainless steel / 316L with stellite 6 facing
5	Seat ring	PTFE soft seat / PEEK soft seat / Full PEEK / 431 stainless steel / 316L stainless steel / 316L with stellite facing

1 stage parabolic balanced trim (continued)

K_V (C_V US) values

For conversion: C_V (UK) = K_V x 0.963

Trim		DN40	DN50	DN65	DN80	DN100	DN125	DN150	DN200	DN250	DN300
Full port	Equal percentage	25 (30)	36 (45)	63 (75)	100 (120)	160 (190)	245 (283)	370 (433)	580 (679)	700 (809)	1 000 (1 156)
	Linear	25 (30)	36 (45)	63 (75)	100 (120)	160 (190)	260 (300)	390 (456)	640 (749)	780 (902)	1 100 (1 272)
Reduction 1	Equal percentage		25 (33)	36 (48)	63 (85)	100 (130)	200 (231)	287 (336)	370 (433)	580 (670)	700 (809)
	Linear		25 (33)	36 (48)	63 (85)	100 (130)	200 (231)	287 (336)	550 (433)	640 (740)	780 (902)
Reduction 2	Equal percentage			25 (36)	36 (50)	63 (90)	100 (116)	132 (154)	232 (271)	370 (428)	580 (670)
	Linear			25 (36)	36 (50)	63 (90)	100 (116)	132 (154)	232 (271)	550 (636)	640 (740)
Reduction 3	Equal percentage				25 (38)	36 (53)	63 (73)	103 (120)	163 (191)	232 (268)	370 (428)
	Linear				25 (38)	36 (53)	63 (73)	103 (120)	163 (191)	232 (268)	550 (636)
Reduction 4	Equal percentage									163 (188)	232 (268)
	Linear									163 (188)	232 (268)
Reduction 5	Equal percentage										163 (188)
	Linear										163 (188)
Fast opening		28 (32)	50 (50)	85 (88)	117 (136)	180 (210)	260 (300)	390 (456)	640 (749)	780 (902)	1 100 (1 272)

1 stage perforated trim

Model availability

This trim is available for the Spira-trol™ JE, JEA, KE, KEA, LE and LEA.

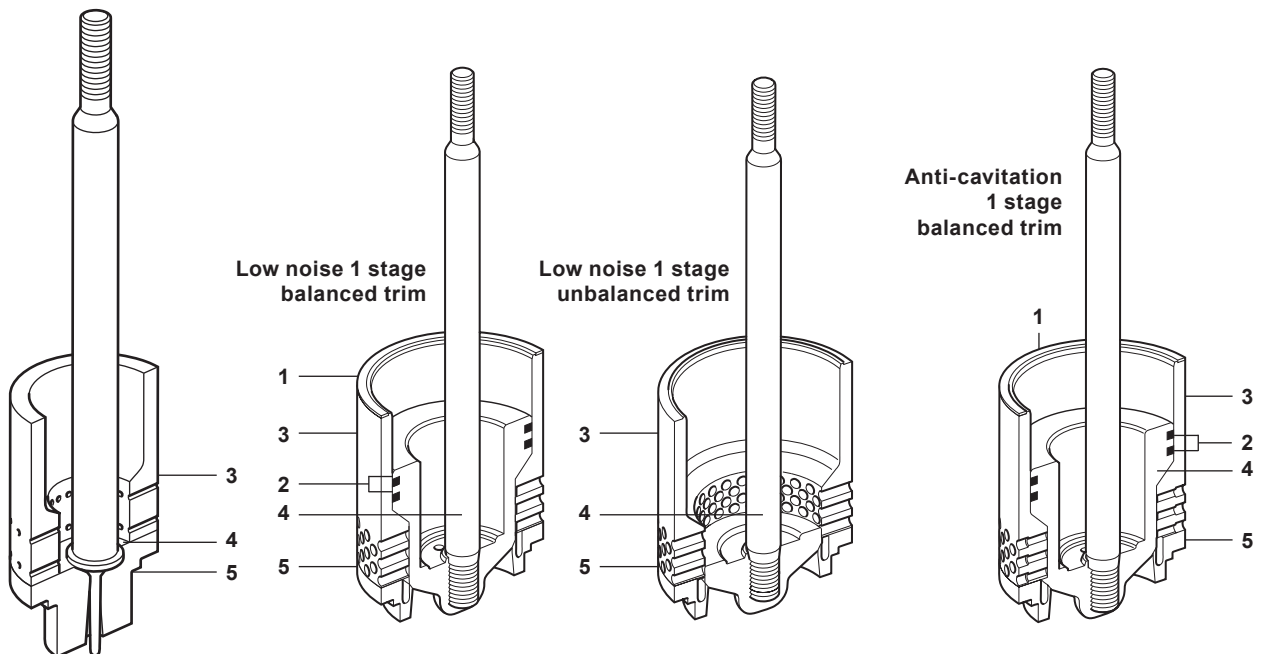
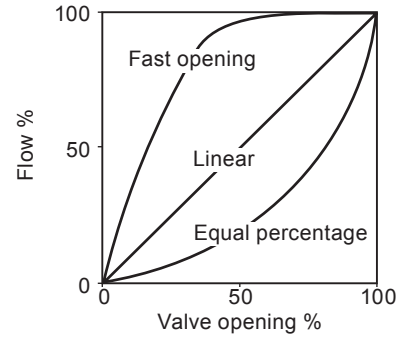
Sizes

DN15, DN20, DN25, DN32, DN40, DN50, DN65, DN80, DN100, DN125, DN150, DN200, DN250 and DN300.

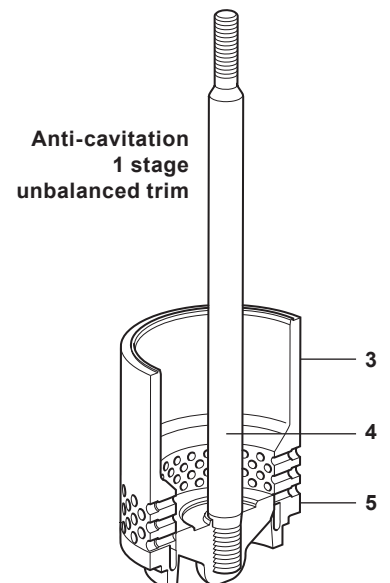
Technical data

Trim design	Perforated		
	Metal-to-metal	Class IV	
Leakage	Soft seal	Unbalanced	Class VI
		Balanced	Class IV
Rangeability	50:1		
	DN40 to DN50	20 mm	
Travel	DN65 to DN100	30 mm	
	DN125 to DN300	70 mm	

Typical flow characteristic curves



For DN15 to DN25
Anti-cavitation are only available
unbalanced with parabolic plug



Materials

No.	Part	Material
1	Cage gasket	Reinforced exfoliated graphite
2	Plug seal	Graphite
3	Cage retainer	CF8M
4	Plug and stem	431 stainless steel / 316L stainless steel / 316L with stellite 6 facing
5	Seat ring	PTFE soft seat / PEEK soft seat / Full PEEK / 431 stainless steel / 316L stainless steel / 316L with stellite facing

1 stage perforated trim (continued)

K_V (C_V US) values

For conversion: C_V (UK) = K_V x 0.963

Trim	DN15	DN20	DN25	DN32	DN40	DN50	DN65	DN80	DN100	DN125	DN150	DN200	DN250	DN300
Full port Equal percentage	4 (4.6)	6.3 (7.3)	10 (11.6)	16 (18.5)	25 (29)	25 (29)	50 (58)		80 (92)				551 (637)	787 (909)
Full port Linear	4 (4.6)	6.3 (7.3)	10 (11.6)	16 (18.5)	25 (29)	36 (42)	63 (73)	70 (81)	90 (104)	245 (283)	300 (347)	516 (596)	622 (719)	890 (1 028)
Reduction 1 Equal percentage	2.5 (2.9)	4 (4.6)	6.3 (7.3)	10 (11.6)	16 (18.5)	25 (29)	36 (42)	50 (58)	63 (73)	219 (253)	255 (295)	457 (528)		551 (637)
Reduction 1 Linear	2.5 (2.9)	4 (4.6)	6.3 (7.3)	10 (11.6)	16 (18.5)	25 (29)	36 (42)	63 (73)	63 (73)	219 (253)	255 (295)	457 (528)	516 (596)	622 (719)
Reduction 2 Equal percentage and Linear	1.6 (1.8)	2.5 (2.9)	4 (4.6)	6.3 (7.3)	10 (11.6)	16 (18.5)	25 (29)	36 (42)	50 (58)	115 (133)	200 (231)	350 (405)	457 (528)	
Reduction 2 Linear	1.6 (1.8)	2.5 (2.9)	4 (4.6)	6.3 (7.3)	10 (11.6)	16 (18.5)	25 (29)	36 (42)	50 (58)	115 (133)	200 (231)	350 (405)	457 (528)	
Reduction 3 Equal percentage and Linear	1.0 (1.2)*	1.6 (1.8)	2.5 (2.9)	4 (4.6)	6.3 (7.3)	10 (11.6)	16 (18.5)	25 (29)	36 (42)	75 (87)	152 (176)	265 (306)	350 (405)	457 (528)
Reduction 4 Equal percentage and Linear	0.5 (0.6)*	1.0 (1.2)*	1.6 (1.8)		4 (4.6)	6.3 (7.3)		16 (18.5)	16 (18.5)				265 (306)	457 (528)
Reduction 5 Equal percentage and Linear	0.2 (0.2)*	0.5 (0.6)*	1.0 (1.2)*			4 (4.6)							175 (203)	350 (405)
Reduction 6 Equal percentage and Linear	0.1 (0.1)*	0.2 (0.2)*	0.5 (0.6)*										100 (116)	265 (306)
Reduction 7 Equal percentage and Linear		0.1 (0.1)*	0.2 (0.2)*											175 (203)
Reduction 8 Equal percentage and Linear			0.1 (0.1)*											100 (116)

* Only available in Anti-cavitation

2 stage perforated trim

Model availability

This trim is available for the Spira-trol™ JE, JEA, KE, KEA, LE and LEA.

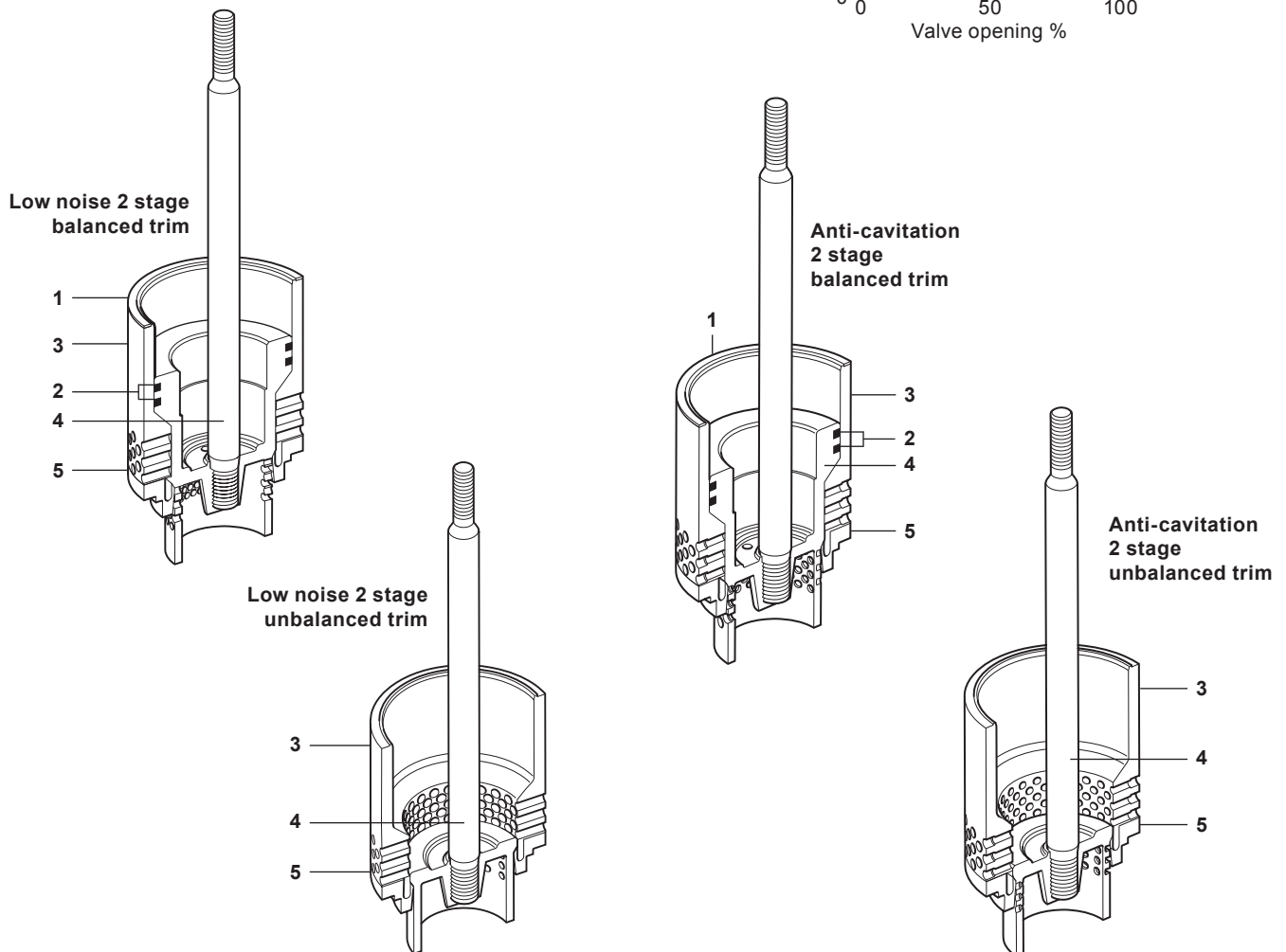
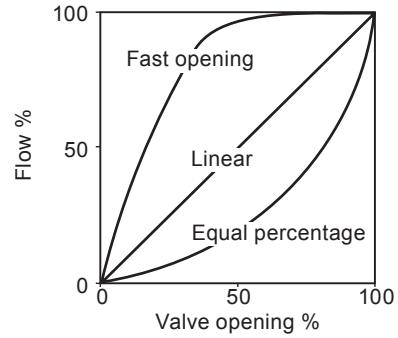
Sizes

DN32, DN40, DN50, DN65, DN80, DN100, DN125, DN150, DN200, DN250 and DN300.

Technical data

Trim design	Perforated	
Leakage	Hard facing	Class IV
Rangeability	50:1	
Travel	DN40 to DN50	20 mm
	DN65 to DN100	30 mm
	DN125 to DN300	70 mm

Typical flow characteristic curves



Materials

No.	Part	Material
1	Cage gasket	Reinforced exfoliated graphite
2	Plug seal	Graphite
3	Cage retainer	CF8M
4	Plug and stem	431 stainless steel / 316L with stellite 6 facing
5	Seat ring	316L with stellite 6 facing / Full PEEK

2 stage perforated trim (continued)

K_V (C_V US) values

For conversion: C_V (UK) = K_V x 0.963

Trim	DN32	DN40	DN50	DN65	DN80	DN100	DN125	DN150	DN200	DN250	DN300
Full port Equal percentage	16 (18.5)	16 (18.5)	16 (18.5)	44 (51)	44 (51)	63 (73)	125 (145)	160 (185)	280 (324)	305 (353)	386 (446)
Full port Linear	16 (18.5)	16 (18.5)	16 (18.5)	50 (58)	50 (58)	63 (73)	125 (145)	160 (185)	280 (324)	305 (353)	436 (504)
Reduction 1 Equal percentage and Linear	10 (11.6)	10 (11.6)	10 (11.6)	36 (42)	36 (42)	36 (42)	100 (116)	100 (116)	160 (185)	280 (324)	305 (353)
Reduction 2 Equal percentage and Linear	6.3 (7.3)	6.3 (7.3)	6.3 (7.3)	25 (29)	25 (29)	25 (29)	63 (73)	63 (73)	100 (116)	160 (185)	280 (324)
Reduction 3 Equal percentage and Linear	4 (4.6)	4 (4.6)	4 (4.6)	16 (18.5)	16 (18.5)	16 (18.5)	36 (42)	36 (42)	63 (73)	100 (116)	160 (185)
Reduction 4 Equal percentage and Linear				10 (11.6)	10 (11.6)	10 (11.6)	25 (29)		36 (42)	63 (73)	100 (116)
Reduction 5 Equal percentage and Linear				6.3 (7.3)	6.3 (7.3)					36 (42)	63 (73)
Reduction 6 Equal percentage and Linear											36 (42)

3 stage low noise trim

Model availability

This trim is available for the Spira-trol™ JE, JEA, KE, KEA, LE and LEA.

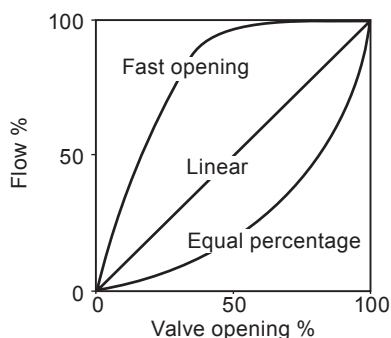
Sizes

DN32, DN40, DN50, DN65, DN80, DN100, DN125, DN150, DN200, DN250 and DN300.

Technical data

Trim design	Perforated	
Leakage	Hard facing	Class IV
Rangeability	50:1	
Travel	DN40 to DN50	20 mm
	DN65 to DN100	30 mm
	DN125 to DN300	70 mm

Typical flow characteristic curves

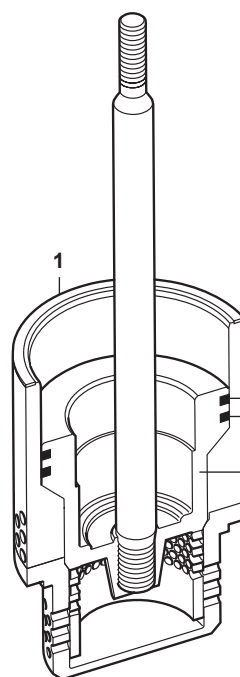


Kv (Cv US) values

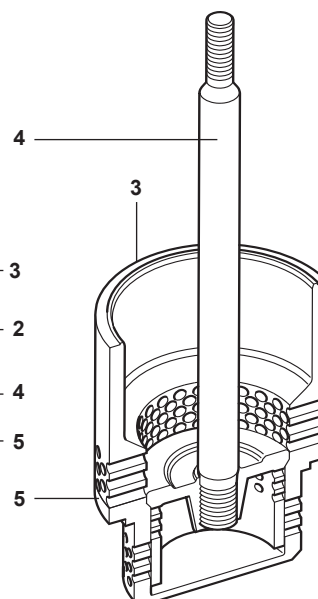
For conversion: Cv (UK) = Kv x 0.963

Trim	DN32	DN40	DN50	DN65	DN80	DN100	DN125	DN150	DN200	DN250	DN300
Full port Equal percentage	13 (15)	13 (15)	13 (15)	25 (29)	25 (29)	36 (42)	78 (90)	100 (116)	180 (208)	223 (258)	282 (326)
Full port Linear	13 (15)	13 (15)	13 (15)	25 (29)	25 (29)	36 (42)	78 (90)	100 (116)	180 (208)	282 (326)	319 (369)
Reduction 1 Equal percentage and Linear	10 (11.6)	10 (11.6)	10 (11.6)	16 (18.5)	16 (18.5)	25 (29)	63 (73)	63 (73)	160 (185)	180 (208)	223 (258)
Reduction 2 Equal percentage and Linear	6.3 (7.3)	6.3 (7.3)	6.3 (7.3)	10 (11.6)	10 (11.6)	16 (18.5)	36 (42)	36 (42)	100 (116)	160 (185)	180 (208)
Reduction 3 Equal percentage and Linear	4 (4.6)	4 (4.6)	4 (4.6)	6.3 (7.3)	6.3 (7.3)	10 (11.6)	25 (29)	25 (29)	36 (42)	100 (116)	160 (185)
Reduction 4 Equal percentage and Linear				4 (4.6)	4 (4.6)	6.3 (7.3)	16 (18.5)			36 (42)	100 (116)
Reduction 5 Equal percentage and Linear							10 (11.6)				36 (42)

Low noise 3 stage balanced trim



Low noise 3 stage unbalanced trim



Materials

No.	Part	Material
1	Cage gasket	Reinforced exfoliated graphite
2	Plug seal	Graphite
3	Cage retainer	CF8M
4	Plug and stem	316L with stellite 6 facing
5	Seat ring	316L with stellite 6 facing / Full PEEK

Spira-trol™ selection guide

Valve size	DN15 to DN300	DN40
Valve series	J = J series 2-port control valve K = K series 2-port control valve L = L series 2-port control valve	K
Valve characteristic	E = Equal percentage F = Fast opening L = Linear	E
Type of flange	Blank = EN A = ASME (ANSI)	A
Flow	Blank = Flow under T = Flow over	T
Body material	3 = Cast iron 4 = Carbon steel 6 = Stainless steel 7 = SG iron 8 = Alloy steel	4
Connections	1 = Screwed 2 = Socket Welded 3 = Flanged 4 = Butt Welded	3
Stem sealing	N = PTFE/Nitronic bush P = PTFE H = Graphite D = Bellows / Graphite secondary seals B = Bellows / PTFE chevron seals C = Bellows / Graphite seals	D
Seating	T = 431 stainless steel P = Full PEEK seat G = PTFE soft seat S = 316L stainless steel W = 316L with stellite 6 facing K = PEEK soft seat	K
Type of trim	S = Standard trim P1 = Low noise cage 1 stage P2 = Low noise cage 2 stage P3 = Low noise cage 3 stage A1 = Anti-cavitation cage 1 stage A2 = Anti-cavitation cage 2 stage	P1
Trim balancing	U = Unbalanced B = Balanced	B
Bonnet type	S = Standard E = Extended high temperature	S
Bolting	S = Standard H = High temperature	S
Finish	Blank = Standard N = ENP coating	
Series	.2 = .2	.2
Kvs (Cv)	To be specified	Cv30
Connection type	To be specified	Flanged ASME 300

Selection example:

DN40	-	K	E	A	T	4	3	D	K	P1	B	S	S		.2	-	Cv 30	-	Flanged ASME 300
------	---	---	---	---	---	---	---	---	---	----	---	---	---	--	----	---	-------	---	------------------

Available spares

Balanced gasket set	Parts 1, 2
----------------------------	------------