



SP7-20, SP7-21 and SP7-22 Smart Positioner

Description

The SP7-2* is an electronically configurable positioner with communication capabilities designed for mounting on pneumatic linear or rotary actuators. It features a small and compact design, a modular construction, and an excellent cost-performance ratio. Fully automatic determination of the control parameters and adaptation to the positioner allow for considerable time savings as well as optimum control behaviour.

The positioner has a local communication interface (LCI) as standard in the SP7-20. Additionally, a 'HART® communication' option for communication via the 20 mA signal is available. Both communications are based on the HART® Protocol. Alternatively, HART®5 or HART®7 are available.

Other available options are the SP7-21 with a PROFIBUS PA module or the SP7-22 with FOUNDATION Fieldbus module. In addition to its input for the analog position set point, the positioner is equipped with a digital input which can be used to activate control system functions in the device. A digital output allows you to output collective messages (alarms/faults).



Throughout the document SP7-2* is written where the information is relevant to all versions; the SP7-20, SP7-21 and SP7-22. Where the information is specific it will be referenced as the version appropriate.

Air supply

The SP7-2* positioner must be provided with a high quality air supply to ISO 8573-1:2010 Class 3:3:3

Approvals

	ATEX rating	II 2 G Ex db IIC T4/T5/T6 Gb		NEPSI rating	Ex db IIC T4/T5/T6 Gb
	IECEX rating	Ex db IIC T4/T5/T6 Gb			
	CCC (China)	Ex db IIC T4/T5/T6 Gb		INMETRO rating	Ex db IIC T6T4 Gb

Applications

The SP7-2* can be used with any actuator that conforms to NAMUR, this includes all of the following Spirax Sarco pneumatic actuators:

BVA300 rotary

PN1600 series

PNS3000 and PNS4000 series

PN9000 series

TN2000 series

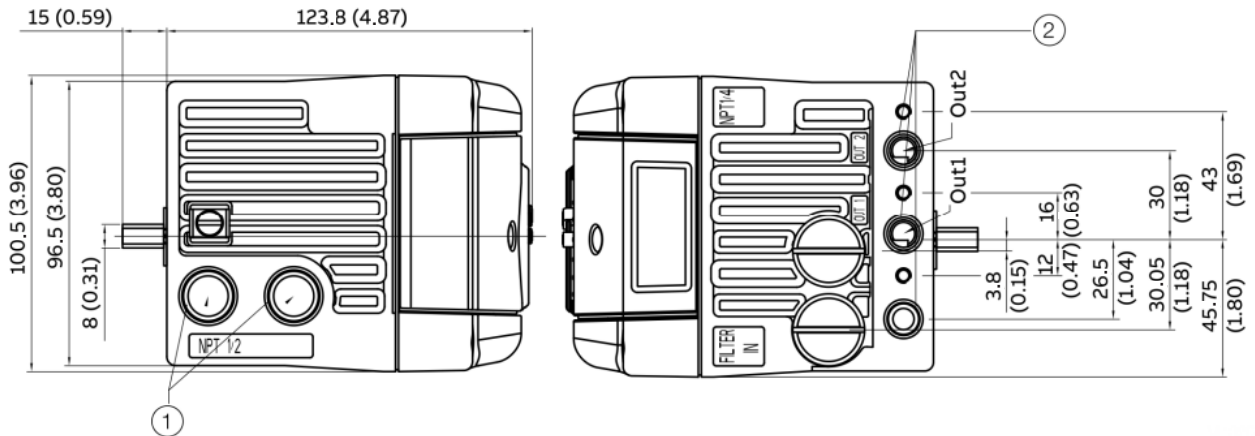
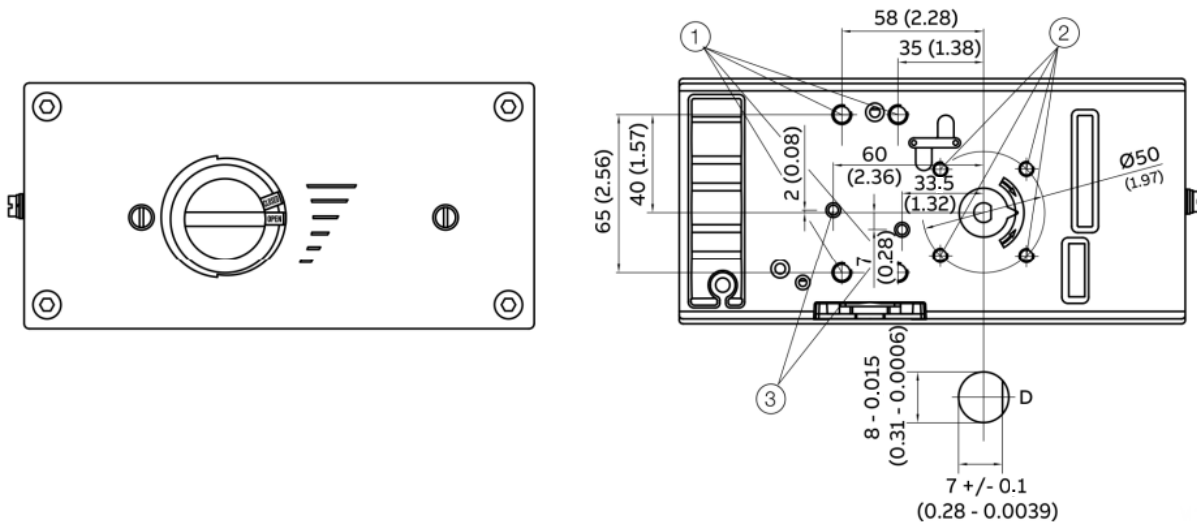
Materials

Part	Material	Finish
Case and cover	Die cast aluminium	Case - Anti-corrosive paint, Black Cover - Anti-corrosive paint to RAL9016
Mounting kits	Stainless steel	-
Follower pin cone	Nylon	-

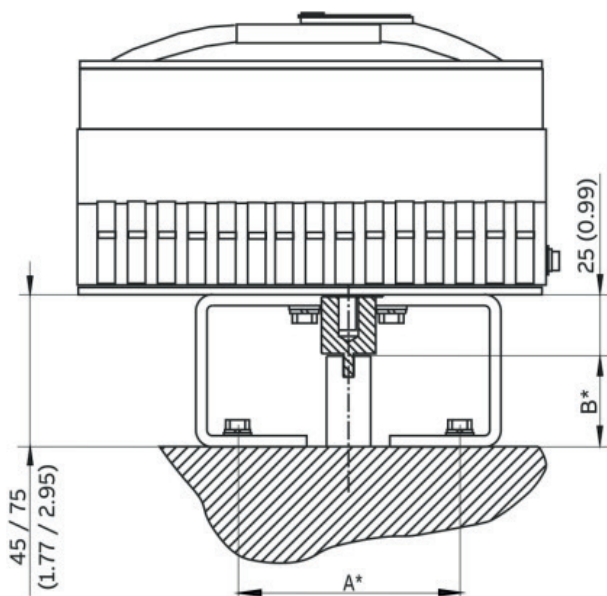
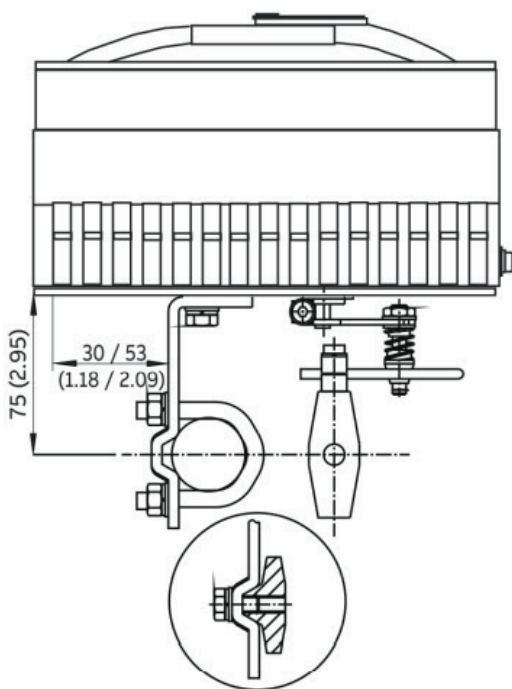
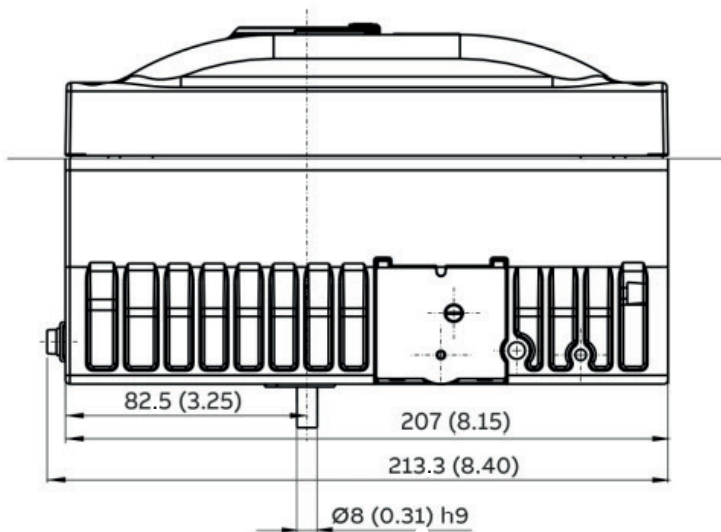
Technical data

Input signal	4-20 mA (split range minimum amplitude 8 mA) or PROFIBUS PA or FOUNDATION Fieldbus	
Impedance	Max 485 +/- 15 Ω (for 4-20mA input signal only)	
Air supply	1.4 to 6.0 bar (20.3 to 87 psi g)	
Air quality	ISO 8573-1:2010 Class 3:3:3	
Output pressure	0 to 100% supply pressure	
Actuator stroke	20 mm to 150 mm or 55 ° to 90 ° (0.78 to 5.91 inches)	
Action	Single acting/fail vent/Double acting	
Operating temperature	-40 to 85 °C (0.78 to 5.91 inches)	
Air connections	¼" NPT female	
Deviation	≤ 0.5 %	
Tolerance band	0.3 to 10 %, adjustable	
Configurable dead zone	0.1 to 10 %, adjustable for 4-20 mA, HART and PROFIBUS PA, 0.1 to 5 % for FOUNDATION Fieldbus	
Resolution (AD-conversion)	> 16,000 steps	
Sampling frequency	20 ms (for 4-20mA input signal only).	
Ambient temperature effect	≤ 0.5 % per 10 K	
Reference temperature	20 °C (68 °F)	
Influence of vibration	≤ 1 % to 10 g and 80 Hz	
Degree of protection	IP65	
Weight	Linear mounting kit - 0.78 kg (1.72 lb)	
	Rotary mounting kit - 0.4 kg (0.88 lb)	
	Positioner (without mounting kits or gauge blocks) - 3.0 kg (6.61 lb)	
Basic positioner options	SP7-20	4-20 mA or 4-20 mA with HART
	SP7-21	PROFIBUS PA
	SP7-22	FOUNDATION Fieldbus

Dimensions (approximate) in mm (and inches)



Dimensions (approximate) in mm (and inches)



* Dimensions A and B depend on the rotary actuator

Rotary positioner mounting kits

Actuator mounting dimensions	Spirax kit nomenclature
80/20 mm (3.15/0.79 inches)	AKR13
80/30 mm (3.15/1.18 inches)	AKR14
130/30 mm (5.12/1.18 inches)	AKR15
130/50 mm (5.12/1.97 inches)	AKR16

For BVA actuators the AKR14 mounting kit is required.

Positioner options - SP7-20 - 4-20mA or 4-20 mA with HART

Standard	Case/Mounting	Case made of aluminium, varnished, for mounting to linear actuators acc. DIN/IEC 534/NAMUR or to rotary actuators acc. VDI/VDE 3845	10
		Case made of aluminium, varnished, with mechanical position indicator, for mounting to linear actuators acc. DIN/IEC 534/NAMUR or to rotary actuators acc. VDI/VDE 3845	20
	Operation	With operator panel and display integrated in the enclosure cover	1
	Explosion Protection	ATEX II 2G Ex db II C T4/T5/T6 Gb	1
		IECEX Ex db II C T4/T5/T6 Gb	6
		INMETRO Ex db IIC T6T4 Gb	S
		NEPSI Ex db IIC T4/T5/T6 Gb	X
	Output/Safe Position (in case of an electrical power failure)	Single acting, fail safe	1
		Single acting, fail freeze	2
		Double acting, fail safe	3
		Double acting, fail freeze	4
	Connections	Cable: Thread M20 x 1.5, air pipe: Thread 1/4-18 NPT	2
		Cable: Thread 1/2-14 NPT, air pipe: Thread 1/4-18 NPT	3
	Option Modules for Analog or Digital Position Feedback	Without	0
		Plug-in module for analog position feedback, signal range 4 ... 20 mA, two-wire	1
		Plug-in module for digital position feedback	3
		Plug-in module for analog position feedback, signal range 4 ... 20 mA, two-wire, and digital position feedback	4
	Optional Mechanical Kit for Digital Position Feedback	Without	0
		Mechanical kit for digital position feedback with proximity switches SJ2-SN (NC or logical 1)	1
		Mechanical kit for digital position feedback with 24 V AC/DC microswitches (change-over contacts) (Note 2)	3
Parameter Setting/Bus Address	Factory setting for HART devices	1	
Design (Varnish/Coding)	Standard	1	
	Higher Stiffness + Lower Air Capacity	H	
	Protection Class IP 66	P	
Device Identification Label	Without	0	
	Stainless steel 18.5 x 65 mm (0.73 x 2.56 in.) (Note 3)	2	
Optional	SIL2 - Declaration of Conformity	SIL2 - Declaration of Conformity (Note 4)	CS2
	CCC Certification	CCC for Ex db	CCC

SP7-20
 Note 1: Only with cable connection NPT thread
 Note 2: Only for Ex d version
 Note 3: Plain text, max. 16 letters
 Note 4: With single acting, fail safe pneumatic only

Ordering Code Example: SP7-20 10 1 1 3 2 0 1 1 1 2

Positioner options - SP7-21 - PROFIBUS PA

Standard	Case/Mounting	Case made of aluminium, varnished, for mounting to linear actuators acc. DIN/IEC 534/NAMUR or to rotary actuators acc. VDI/VDE 3845	10
		Case made of aluminium, varnished, with mechanical position indicator, for mounting to linear actuators acc. DIN/IEC 534/NAMUR or to rotary actuators acc. VDI/VDE 3845	20
	Operation	With operator panel and display integrated in the enclosure cover	1
	Explosion Protection	ATEX II 2G Ex db II C T4/T5/T6 Gb	1
		IECEX Ex db II C T4/T5/T6 Gb	6
		INMETRO Ex db IIC T6T4 Gb	S
		NEPSI Ex db IIC T4/T5/T6 Gb	X
	Output/Safe Position (in case of an electrical power failure)	Single acting, fail safe	1
		Single acting, fail freeze	2
		Double acting, fail safe	3
		Double acting, fail freeze	4
	Connections	Cable: Thread M20 x 1.5, air pipe: Thread 1/4-18 NPT	2
		Cable: Thread 1/2-14 NPT, air pipe: Thread 1/4-18 NPT	3
	Option Module for Shutdown Function	Without	0
	Optional Mechanical Kit for Digital Position Feedback	Without	03
		Mechanical kit for digital position feedback with proximity switches SJ2-SN (NC or logical 1)	13
		Mechanical kit for digital position feedback with 24 V AC/DC microswitches (change-over contacts) (Note 2)	33
	Design (Varnish/Coding)	Standard	1
		Higher Stiffness + Lower Air Capacity	H
		Protection Class IP 66	P
Device Identification Label	Without	0	
	Stainless steel 18.5 x 65 mm (0.73 x 2.56 in.) (Note 3)	2	
Optional	CCC Certification	CCC for Ex db	CCC

SP7-21 Note 1: Only with cable connection NPT thread
 Note 2: Only for Ex d version
 Note 3: Plain text, max. 16 letters

Ordering Code Example: SP7-21 20 1 1 2 2 0 0 3 1 0

Positioner options - SP7-22 - FOUNDATION Fieldbus

Standard	Case/Mounting	Case made of aluminium, varnished, for mounting to linear actuators acc. DIN/IEC 534/NAMUR or to rotary actuators acc. VDI/VDE 3845	10
		Case made of aluminium, varnished, with mechanical position indicator, for mounting to linear actuators acc. DIN/IEC 534/NAMUR or to rotary actuators acc. VDI/VDE 3845	20
	Operation	With operator panel and display integrated in the enclosure cover	1
		ATEX II 2G Ex db II C T4/T5/T6 Gb	1
	Explosion Protection	IECEX Ex db II C T4/T5/T6 Gb	6
		INMETRO Ex db IIC T6T4 Gb	S
		NEPSI Ex db IIC T4/T5/T6 Gb	X
	Output/Safe Position (in case of an electrical power failure)	Single acting, fail safe	1
		Single acting, fail freeze	2
		Double acting, fail safe	3
		Double acting, fail freeze	4
	Connections	Cable: Thread M20 x 1.5, air pipe: Thread 1/4-18 NPT	2
		Cable: Thread 1/2-14 NPT, air pipe: Thread 1/4-18 NPT	3
	Option Modules for Shutdown Function	Without	0
	Optional Mechanical Kit for Digital Position Feedback	Without	04
		Mechanical kit for digital position feedback with proximity switches SJ2-SN (NC or logical 1)	14
		Mechanical kit for digital position feedback with 24 V AC/DC microswitches (change-over contacts) (Note 2)	34
	Design (Varnish/Coding)	Standard	1
		Higher Stiffness + Lower Air Capacity	H
		Protection Class IP 66	P
Device Identification Label	Without	0	
	Stainless steel 18.5 x 65 mm (0.73 x 2.56 in.) (Note 3)	2	
Optional	CCC Certification	CCC for Ex db	CCC

SP7-22 Note 1: Only with cable connection NPT thread
 Note 2: Only for Ex d version
 Note 3: Plain text, max. 16 letters

Ordering Code Example: SP7-22 10 1 1 3 2 0 34 P 2

Mounting/linkage kit : Positioner mounting kits for central mounting

Actuator model	Valve models	Valve sizes		Spirax kit nomenclature
PN9100	Spira-trol two port and QL three port	DN15 to DN50	(½" to 2")	AKL10
PN9200		DN15 to DN100	(½" to 4")	AKL10
PN9300				
PN9400		DN125 to DN300	(5" to 12")	AKL17
TN2150	Spira-trol two port and QL three port	DN15 to DN100	(½" to 4")	AKL10
TN2300		DN125 to DN300	(5" to 12")	AKL17
TN2400	Spira-trol two port and QL three port	DN125 to DN300	(5" to 12")	AKL17
TN2270				
PN3000 Sprg Ext	LE, LEA and Steri-trol	DN15 to DN100	(½" to 4")	AKL10
PN4000 Sprg Ret				
PN5000	KE, KEA, LE and QL three port	DN15 to DN100	(½" to 4")	AKL10 +UBC
PN6000				
PN5000	QL three port	DN125 to DN200	(5" to 8")	AKL11 + UBC
PN6000				
PN1600	"C" series	DN65 to DN100	(2½" to 4")	AKL11
PN1600		DN125 to DN200	(5" to 8")	AKL11
PN1600	Spira-trol	DN125 to DN300	(5" to 12")	AKL11

BVA actuators

For BVA actuators the AKR14 mounting kit is required.

Gauge blocks

		Spirax Nomenclature	Weight	
6 bar/87 psi NPT¼"	Single acting	GBS6A	0.28 kg	(0.62 lb)
	Double acting	GBD6A	0.32 kg	(0.71 lb)
0.6 Mpa/87 psi NPT¼"	Single acting	GBS06A	0.28 kg	(0.62 lb)
	Double acting	GBD06A	0.32 kg	(0.71 lb)

How to order

Example: 1 off Spirax Sarco SP7-20-10113201112 Smart positioner with AKL10 mounting kit and GBS6A gauge block.

Caution: The SP7-20 positioner must have a high quality air supply to ISO 8573-1:2010 Class 3:3.3.